

219W-08 Houndstooth Shoulder Bag



Suggested yarn:

- Pierrot Yarns Junmo Chuboso (Pure Wool Fingering) [40% merino wool, 60% punta wool; 164 yds/150m per 1.4 oz./40g skein];
 - color #401 white, 2 skeins [45g]
 - color #409 charcoal, 2 skeins [50g]
- Pierrot Yarns Nimes M [70% baby alpaca, 30% nylon; 101 yds/92m per 0.9 oz./25g skein];
 - color #11 off-white, 2 skeins [45g]
 - color #18 monochrome, 3 skeins [55g]

Tools/Notions:

- 3.5mm (US E) crochet hook or size necessary to achieve gauge
- 1 rectangular purse frame, approximately 6.5cm/2.6" tall by 25cm/9.8" wide
- 1 leather purse strap (1.5cm/0.6" wide by 105cm/41.3" long)
- heavy interfacing (1.5mm/0.06" thick) or other stiff material for bottom of bag, 1 piece measuring 32cm/12.6" by 8cm/3.1"

Finished measurements:

- width 32cm/12.6"
- depth (excluding frame) 18cm/7.1"
- gusset width 8cm/3.1"

Gauge (10cm/4" square):

- striped sc & colorwork pattern stitch: 20 sts and 22 rows

Gauge may vary according to individual crochet style. Change hook size if necessary to achieve gauge. Alternatively, rework pattern with your own gauge measurements.

Summary

✳️**Note 1:** Like all Japanese patterns, stitch counts given here for foundation chains do not include any chain sts needed for turning posts.

✳️**Note 2:** Entire bag is worked with 2 strands of yarn held together (Junmo Chuboso & Nimes M).

Bottom: Work foundation chain to begin, then work in striped sc.

Sides (make 2): Work foundation chain to begin, then work in houndstooth pattern.

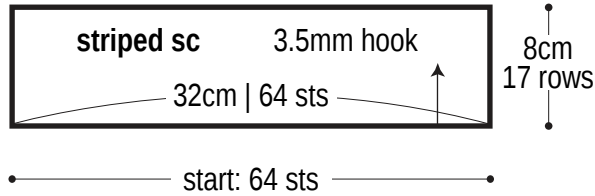
Finishing: With wrong sides facing each other, seam bottom and sides where marked using whipstitch. Sew purse frame to mouth of bag. Attach purse handle. Insert interfacing into the bottom.

Abbreviations:

ch = chain RS = right side sc = single crochet (US) WS = wrong side

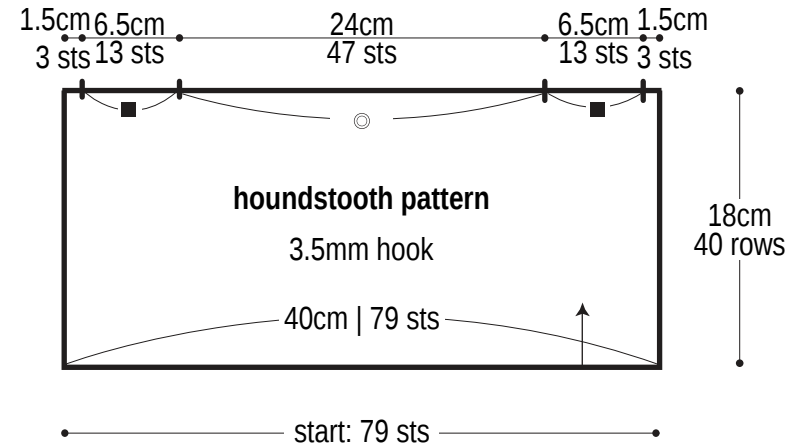
Bottom

※Refer to chart for color sequences.



Side (make 2)

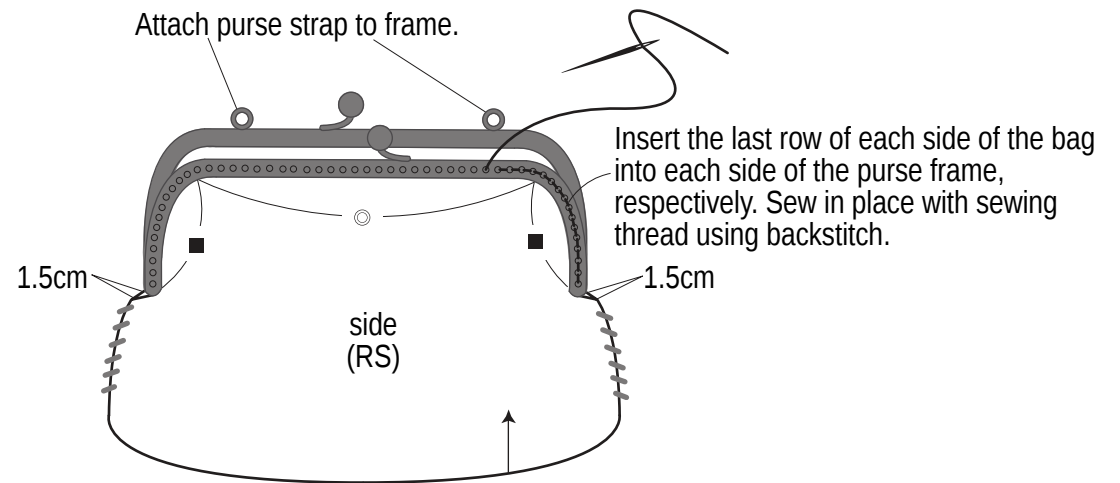
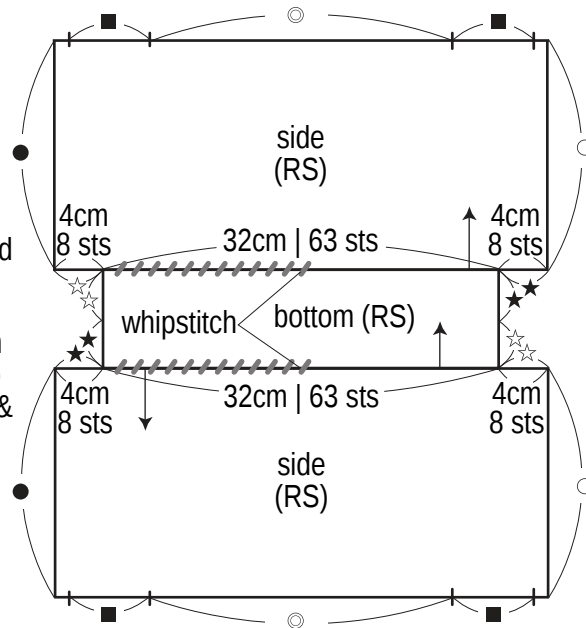
※Refer to chart for color sequences.



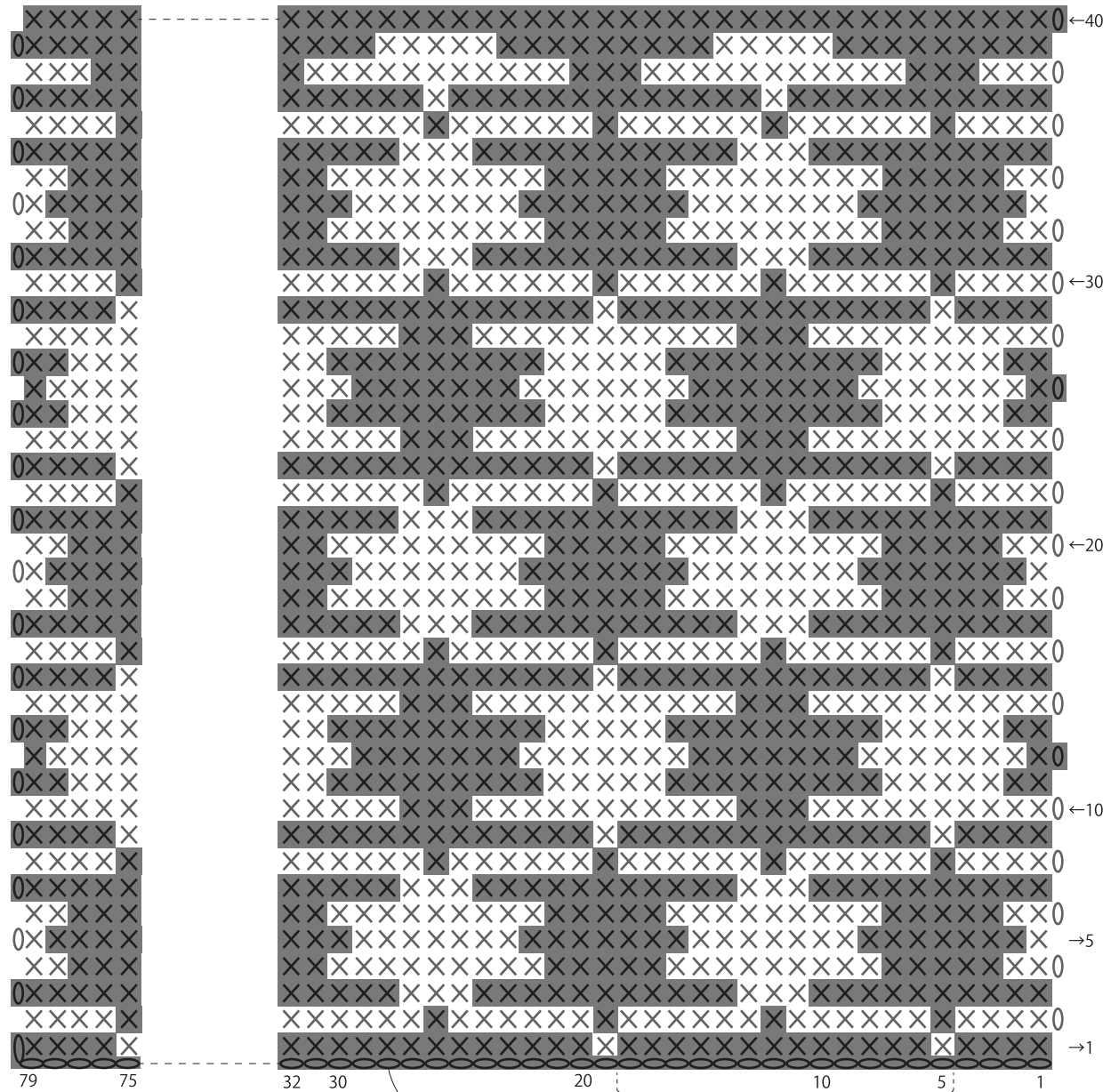
Finishing

Whipstitch bottom and side pieces together.

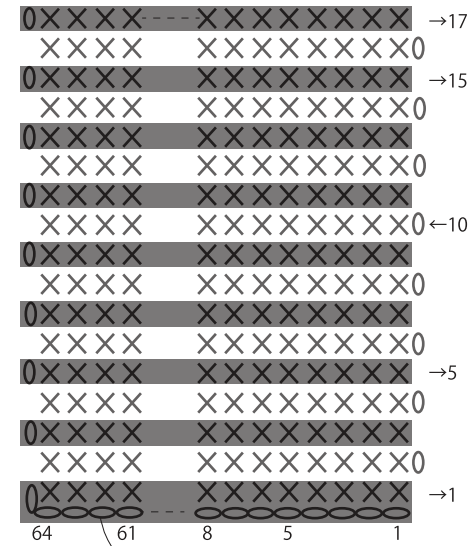
Use 2 strands of yarn held together (Junmo Chuboso color #409 & Nimes M color #18).



Side of bag



Bottom of bag



*Always work sts around the color not currently in use.

- = 2 strands (Junmo Chuboso color #401 & Nimes M color #11)
- = 2 strands (Junmo Chuboso color #409 & Nimes M color #18)

ch79 to begin 14-st repeat