

219ss-10 Sarouel Pants



Suggested yarn:

- Pierrot Yarns Chameleon Camera Summer [45% cotton, 40% wool, 15% nylon; 416 yds/380m per 3.5 oz./100g skein]; color #01 navy blue, 2 skeins [170g]
- Pierrot Yarns Ethnic Denim 2 [100% cotton; 118 yds/108m per 1.1 oz./30g skein]; color #08 navy, 1 skein [20g]

Tools/Notions:

- 3.0mm (US 2½) and 3.3mm (approx. US 3) knitting needles or sizes necessary to achieve gauge
- elastic for waistband (20mm/0.8" wide, 50cm/19.7" long)
- elastic for leg cuffs (10.5mm/0.4" wide, 24cm/9.4" long)

Finished measurements:

- waist (with elastic) 48cm/18.9"
- back length (not including waistband) 49cm/19.3"

Gauge (10cm/4" square):

- stockinette stitch with Chameleon Camera Summer: 26 sts and 34 rows
- stockinette stitch with Ethnic Denim 2: 26 sts and 35 rows

Gauge may vary according to individual knitting style. Change needle size if necessary to achieve gauge. Alternatively, rework pattern with your own gauge measurements.

Summary

Pant leg (make 2): Cast on with long-tail cast-on method. Work in k1p1 ribbing, then continue in st st. Bind off. Reverse shaping for second leg.

Pocket (make 2): Cast on with long-tail cast-on method. Work in st st, then in k1p1 ribbing. Bind off in pattern.

Finishing: Seam pockets to legs as shown in finishing schematic. Seam crotch with mattress stitch. Seam crotch rise from front to back with one continuous mattress stitch seam. Pick up stitches around waist edge; work waistband in k1p1 ribbing in the round. Bind off in pattern. Fold waistband and leg cuffs to the inside along the fold lines indicated on finishing schematic. Leaving small opening for inserting elastic, seam waistband and cuffs with whipstitch. Insert elastic into each of these casings, then sew the ends of each piece of elastic together with a 2cm/0.8" overlap. Seam remaining hole in casings using whipstitch.

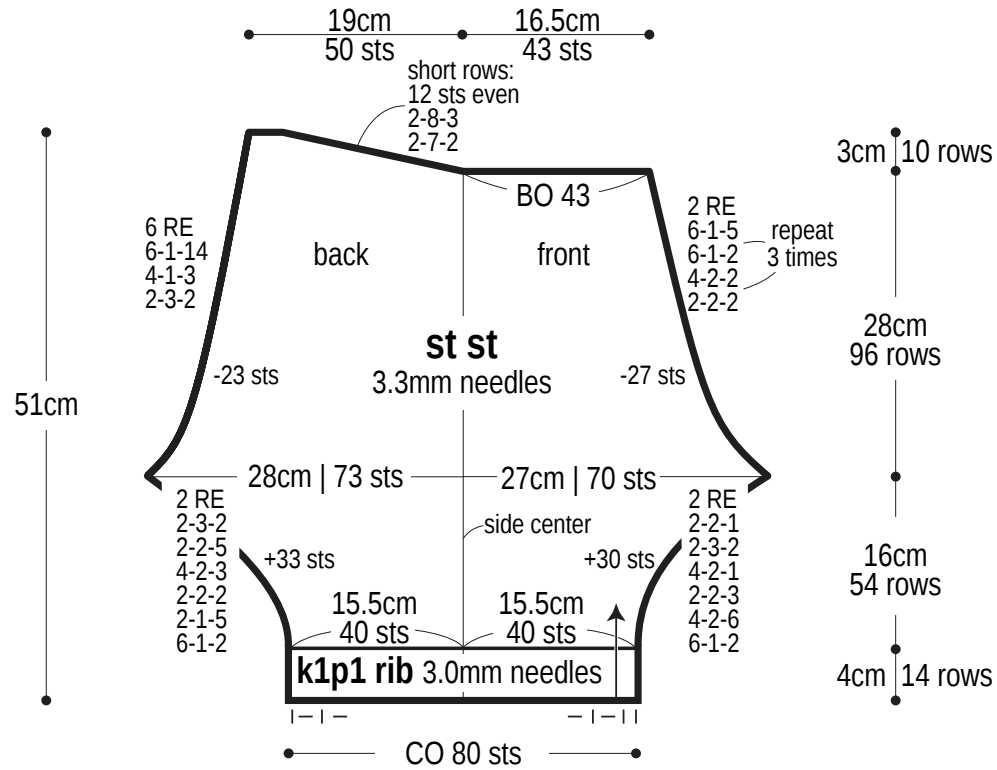
Abbreviations:

BO = bind off CO = cast on k = knit p = purl PU = pick up RE = row(s) even st st = stockinette stitch #-## = rows-stitches-times

Right leg

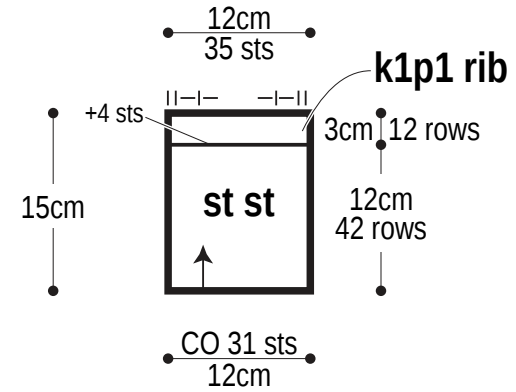
※Reverse shaping for left leg.

Chameleon Camera Summer

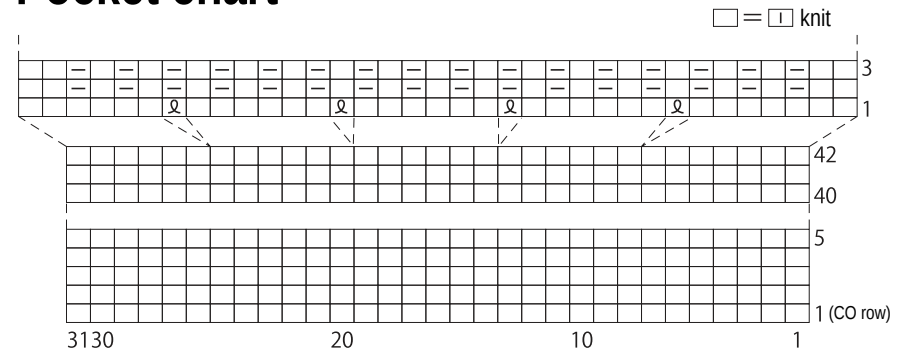


Pocket (make 2)

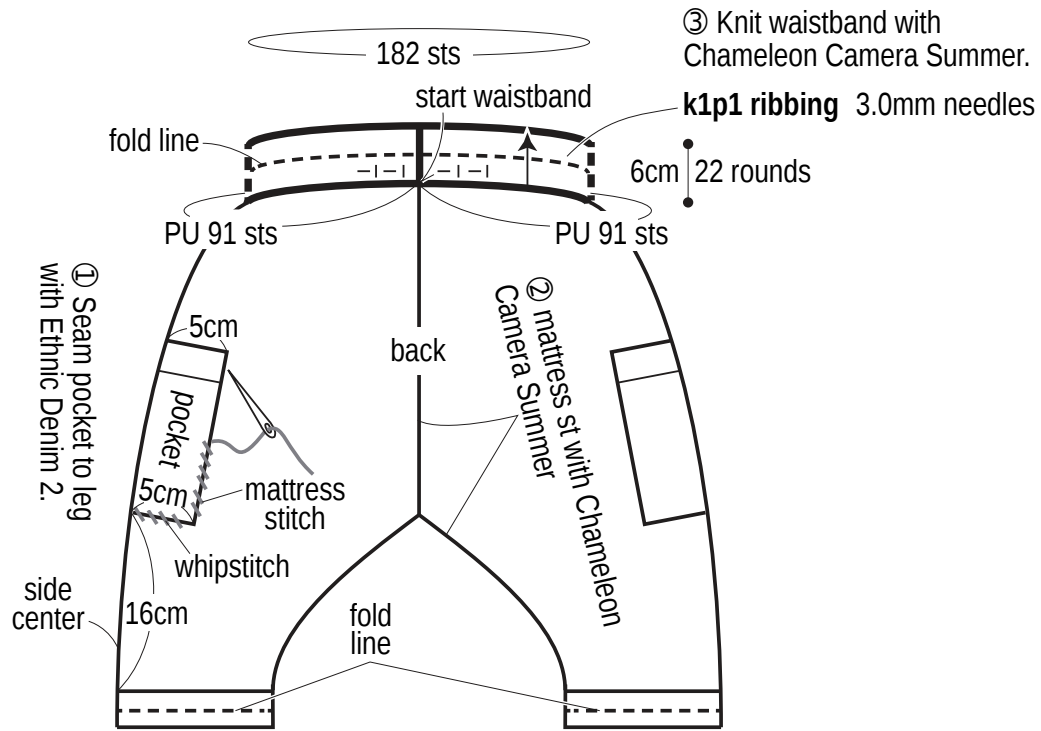
Ethnic Denim 2, 3.0mm needles



Pocket chart



Finishing



④ Thread elastic through waistband & cuffs.

