

# 219ss-08 Back Bow Pullover



## Suggested yarn:

- Pierrot Yarns Pochette [50% superwash merino, 50% cotton; 131 yds/120m per 1.4 oz./40g skein];
  - kids' size:
    - color #01 pure white, 1 skein [5g]
    - color #04 fruity pink, 4 skeins [155g]
  - ladies' size:
    - color #01 pure white, 8 skeins [290g]
    - color #13 matte black, 1 skein [10g]

## Tools/Notions:

- 3.0mm (US 2½) and 3.3mm (approx. US 3) knitting needles or sizes necessary to achieve gauge

## Finished measurements:

- kids' size:
  - bust 71.5cm/28.1"
  - cross back width 26.5cm/10.4"
  - back length 38cm/15.0"
  - sleeve length 20cm/7.9"
- ladies' size:
  - bust 95cm/37.4"
  - cross back width 35cm/13.8"
  - back length 54cm/21.3"
  - sleeve length 30cm/11.8"

## Gauge (10cm/4" square):

- pattern stitch: 27 sts and 34 rows

*Gauge may vary according to individual knitting style. Change needle size if necessary to achieve gauge. Alternatively, rework pattern with your own gauge measurements.*

## Summary

**Body & sleeves:** Cast on with long-tail cast-on method. Work back in pattern stitch and garter stitch; work front and sleeves in pattern stitch only. Reverse shaping of right back for left back.

**Ribbons:** Cast on with long-tail cast-on method. Work in k1p1 ribbing, then bind off in pattern. Make 4 for kids' size and 6 for ladies' size.

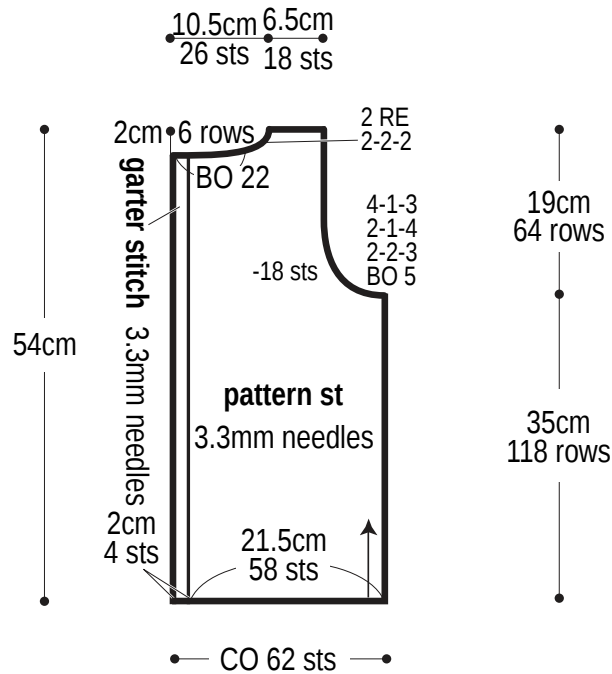
**Finishing:** Seam shoulders with crochet slip stitch seam. Seam sides and sleeve undersides with mattress stitch. Pick up stitches around neckline; work collar in k1p1 ribbing. Bind off. Seam sleeves to body with crochet slip stitch seam. Whipstitch ribbons to left and right back pieces as shown in finishing schematic.

## Abbreviations:

BO = bind off    CO = cast on    k = knit    p = purl    PU = pick up    RE = row(s) even    YO = yarn over    #-#-# = rows-stitches-times

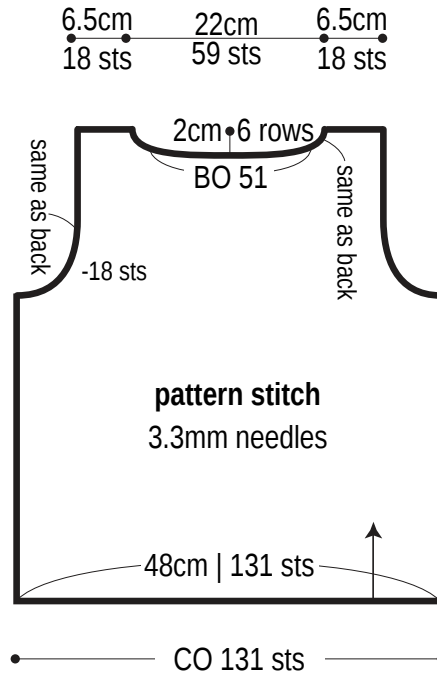
# Ladies' size

## Right back color #01



\*Reverse shaping for left back.

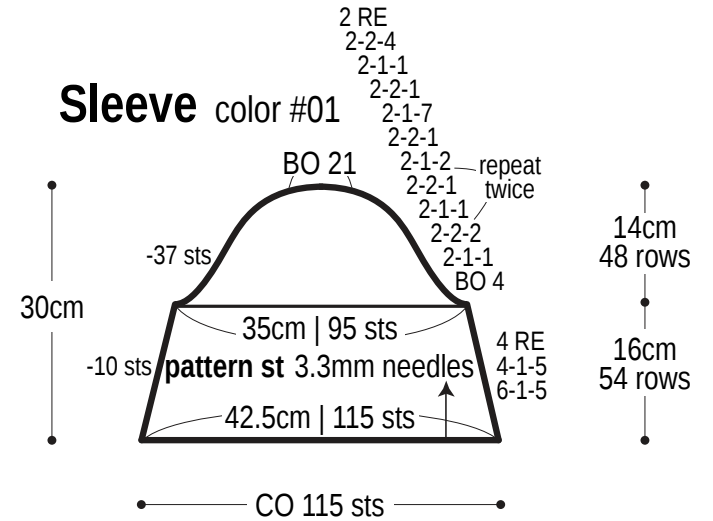
## Front color #01



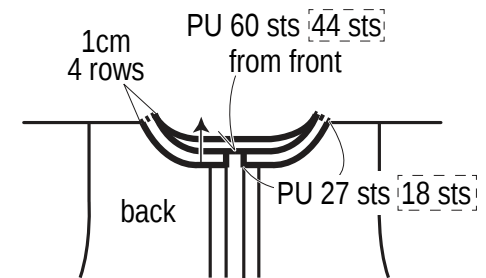
[ ] = kids' size

(Where only one set of instructions is provided, it refers to both sizes.)

## Sleeve color #01

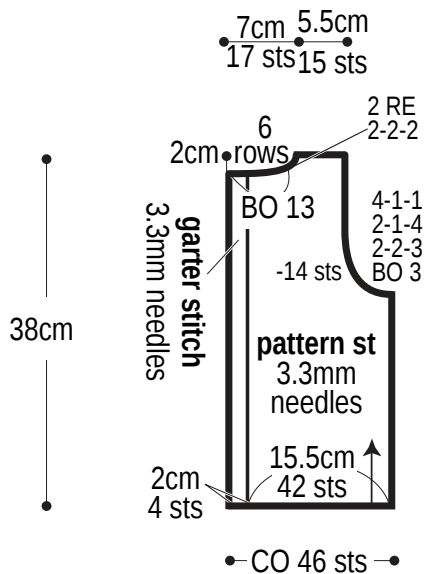


## Collar: garter st color #01 [color #04] 3.0mm needles

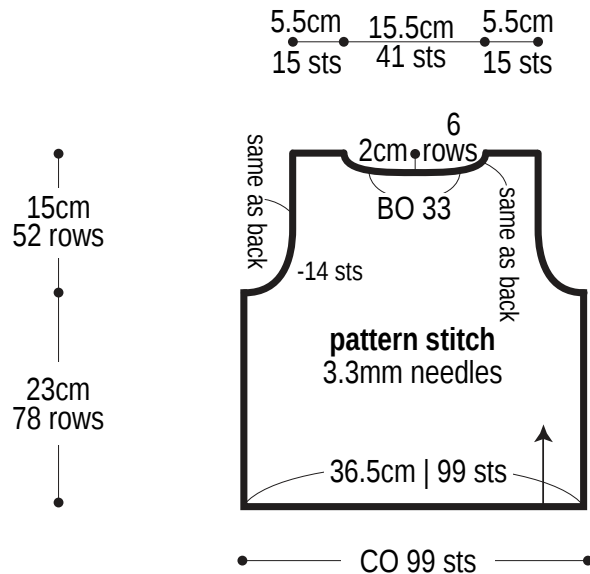


# Kids' size

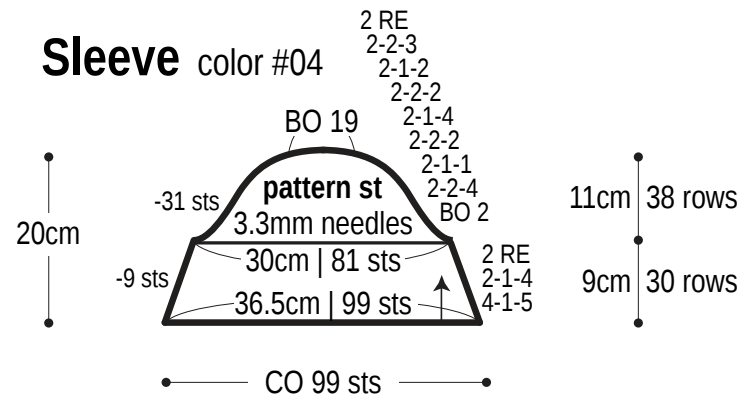
## Right back color #04



## Front color #04

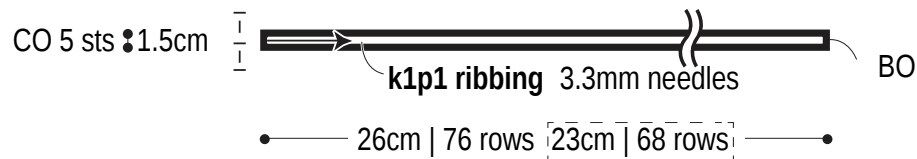


## Sleeve color #04

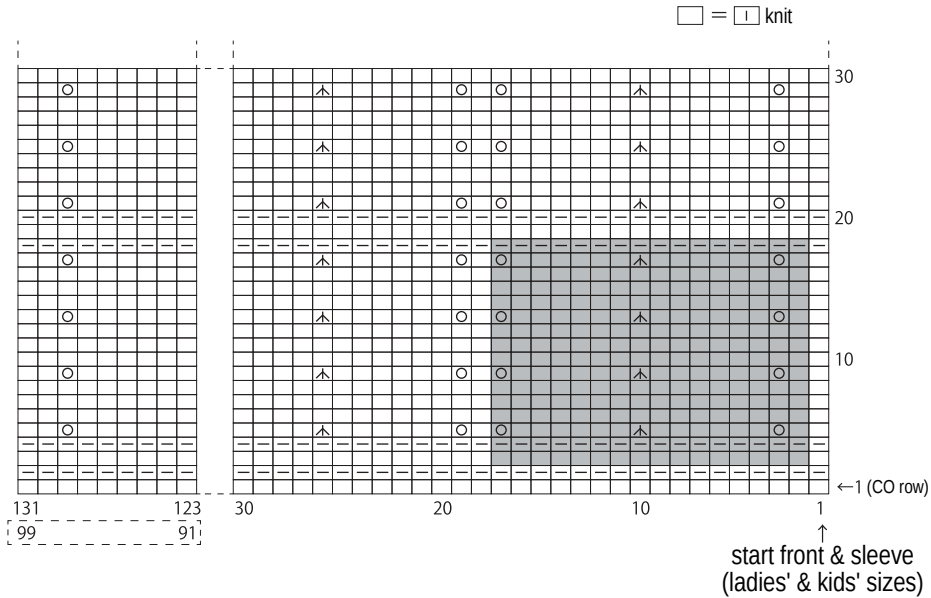


\*Reverse shaping for left back.

## Ribbon color #13 (make 6) [color #01 (make 4)]



# Pattern stitch

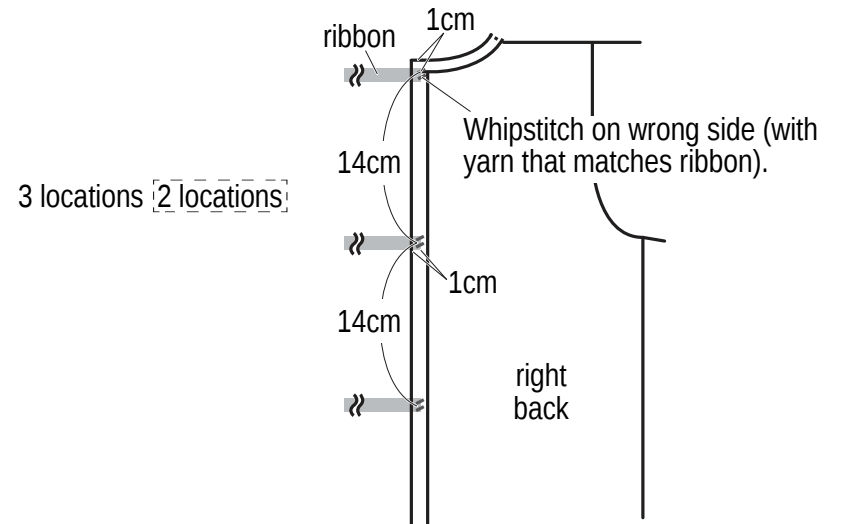


○ = YO    △ = center double decrease  
(slip 2 sts together knitwise, k1, pass the 2 slipped sts over the k st)

■ = 1 repeat  
(16 sts & 16 rows)

# How to attach ribbons

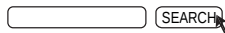
※ Attach ribbons to left and right back pieces.



Use QR code on smartphone to view a video tutorial about how to work a center double decrease.

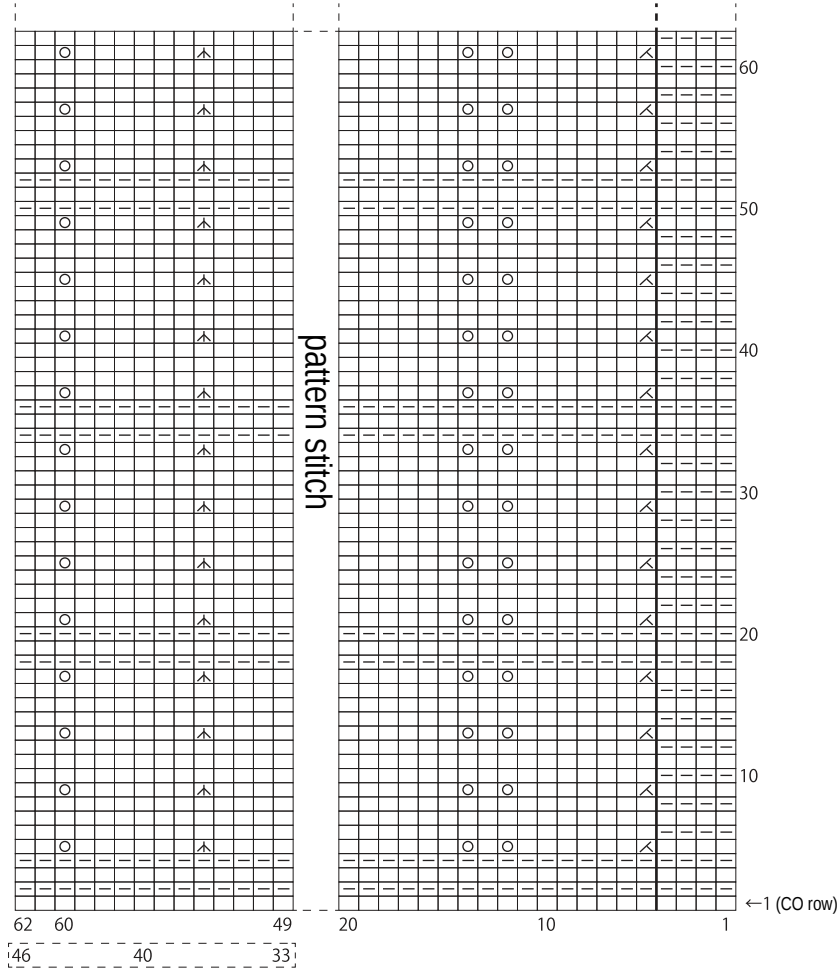


※ To view on computer, search on the Pierrot Yarns website or YouTube channel instead.



# Left back

□ = □ knit



# Right back

□ = □ knit

