

# 219ss-12 Circle Pochette



## Suggested yarn:

- Pierrot Yarns Amian [100% Japanese paper (cellulose); 94 yds/86m per 1.41 oz./40g skein];
  - color #24 biscuit, 3 skeins [110g]
  - color #31 dark navy, 4 skeins [140g]

## Tools/Notions:

- 3.5mm (US E) crochet hook or size necessary to achieve gauge
- black zipper (40cm/15.7")
- shoulder strap (1cm/0.4" wide, 120cm/47.2" long)
- gold-tone magnetic clasp

## Finished measurements:

- width 27cm/10.6"      • depth 25cm/9.8"      • gusset width 8cm/3.1"

## Gauge (10cm/4" square):

- single crochet (US): 15 sts and 12.5 rows

*Gauge may vary according to individual crochet style. Change hook size if necessary to achieve gauge. Alternatively, rework pattern with your own gauge measurements.*

## Summary

✳️**Note 1:** Like all Japanese patterns, stitch counts given here for foundation chains do not include any chain sts needed for turning posts.

✳️**Note 2:** Entire purse worked with 2 strands of yarn held together.

**Sides of bag (make 2):** Work magic ring to begin, then work in sc according to chart & schematic.

**Bottom & gusset:** Continue from side piece, working first row in sb tbl, then continue in sc.

**Tab:** Work foundation chain to begin, then work in sc. After working last row, work 1 round of slip stitch edging.

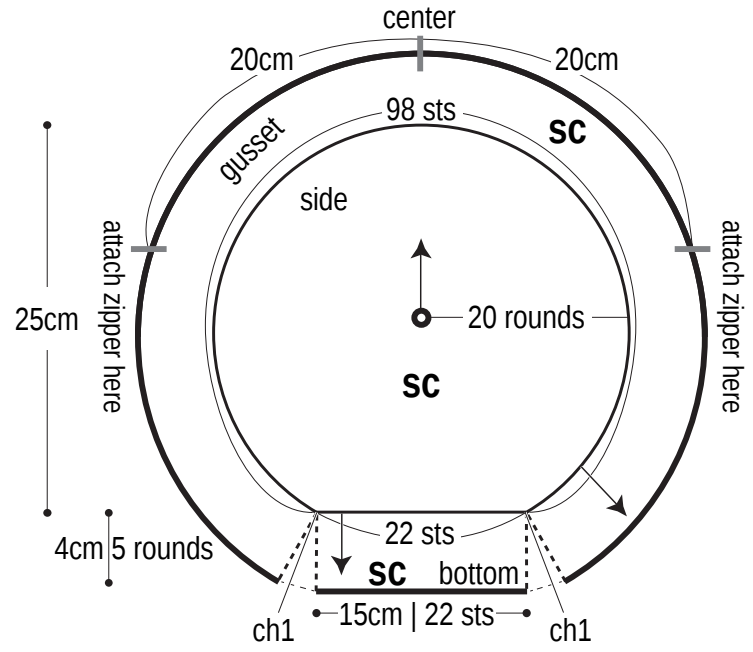
**Finishing:** On last round/row of sides, bottom, and gusset, respectively, work 1 round of slip stitch. Sew zipper to mouth of bag. With wrong sides facing each other, seam body of bag with whipstitch. Seam tab to purse with whipstitch. Fasten decorative clasp and shoulder strap to purse.

## Abbreviations:

ch = chain      m = magic ring/circle      sc = single crochet (US)      tbl = through back loop only

# Body (make 1 in each color)

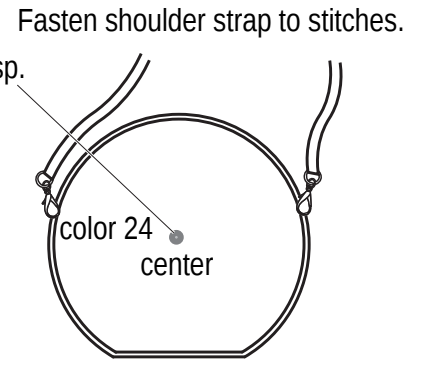
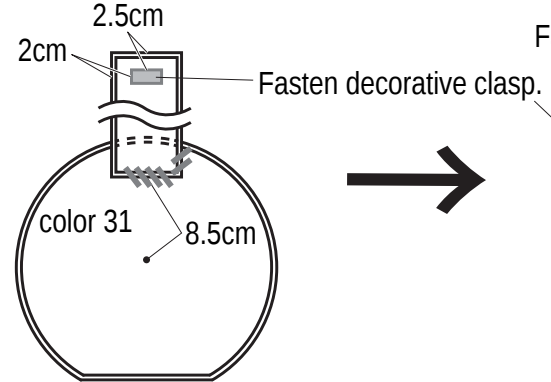
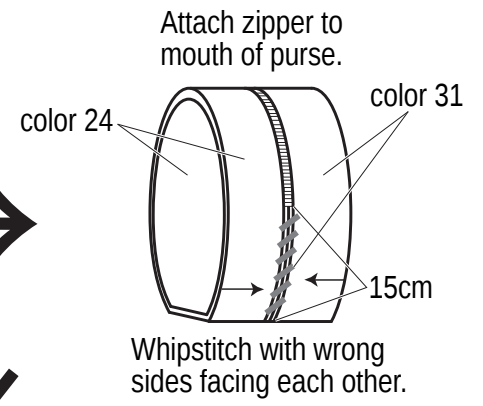
3.5mm hook



# Finishing

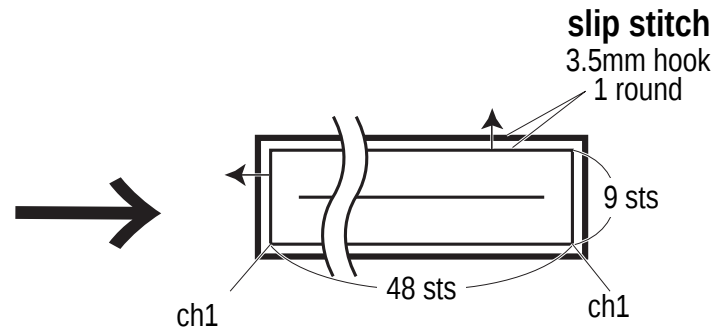
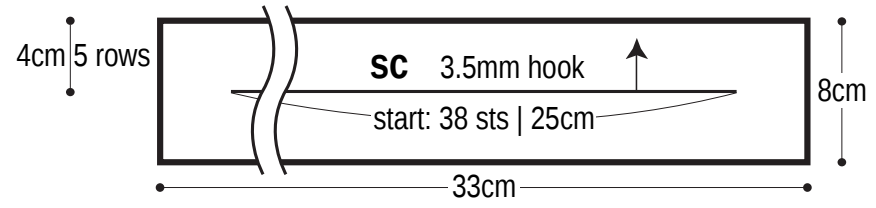


Work slip stitch in the round along last round/row of sides, bottom, and gusset, using matching yarn color.

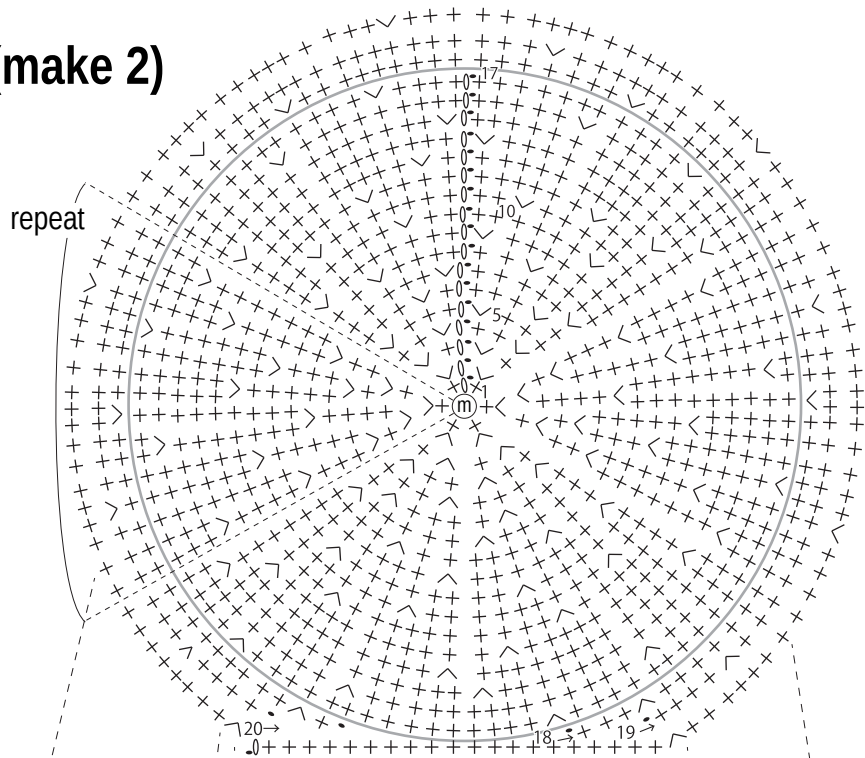


Seam tab in place with whipstitch.

# Tab color 31



# Side (make 2)



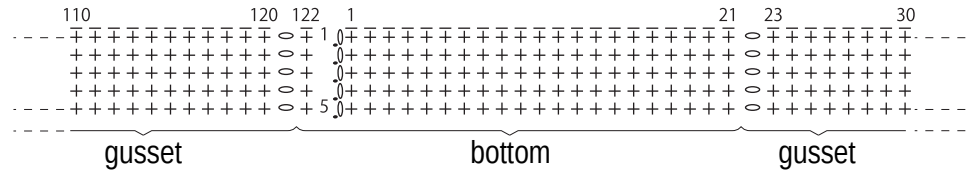
round no.	stitch count	round no.	stitch count
17	102	20	120 (+24 sts)
16	96	19	96 (-2 sts)
15	90	18	98 (-4 sts)
14	84		
13	78		
12	72		
11	66		
10	60		
9	54		
8	48		
7	42		
6	36		
5	30		
4	24		
3	18		
2	12		
1	6		

} +6 sts per round

(work into magic ring)

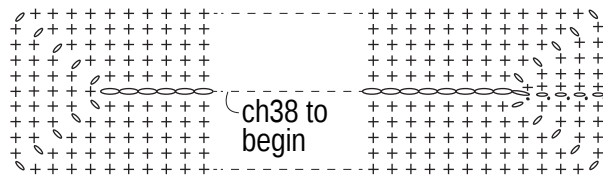
\*On rows 18-20, cut yarn for each round.

# Bottom & gusset



round no.	stitch count
5	122 (work even)
~	
1	

# Tab



round no.	stitch count
5	114
4	106
3	98
2	90
1	82

} +8 sts per round

ch38 to begin