

219ss-13 Veggie Bag A



Suggested yarn:

- Pierrot Yarns Basic Cotton [100% cotton; 60 yds/55m per 1.06 oz./30g skein]; color #1 milk white, 13 skeins [365g]
- Pierrot Yarns Basic Cotton Colors [100% cotton; 60 yds/55m per 1.06 oz./30g skein]; color #24 peacock green, 9 skeins [270g]

Tools/Notions:

- 2.5mm (approx. US B or C) crochet hook or size necessary to achieve gauge
- 1 piece Clover interfacing for bottom of bag (1.5mm/0.06" thick)
- 1 sew-in magnetic clasp (14mm/0.55")

Finished measurements:

- depth (excluding handles) 30cm/11.8"
- width 38cm/15.0"
- gusset depth 19cm/7.5"

Gauge (10cm/4" square):

- pattern stitch A: 18.5 sts and 16 rounds
- pattern stitch B: 18.5 sts and 23 rounds
- single crochet (US): 18.5 sts and 24 rows/rounds

Gauge may vary according to individual crochet style. Change hook size if necessary to achieve gauge. Alternatively, rework pattern with your own gauge measurements.

Summary

✳️**Note:** Like all Japanese patterns, stitch counts given here for foundation chains do not include any chain sts needed for turning posts.

Bottom: Work foundation chain to begin, then work in sc.

Sides/body of bag: Continuing from bottom, begin to work in the round by working 2 rounds of sc around all 4 edges of bottom piece. Referring to chart & schematic, work in pattern stitch A, sc, and then in pattern stitch B back-and-forth in joined rounds. Work first round of facing (section which will be folded down and sewn in place) in sc tbl.

Pockets: Work foundation chain to begin, then work in sc and pattern stitch A. Seam to body of bag where indicated with half blindstitch for sides of pocket and whipstitch for bottom of pocket.

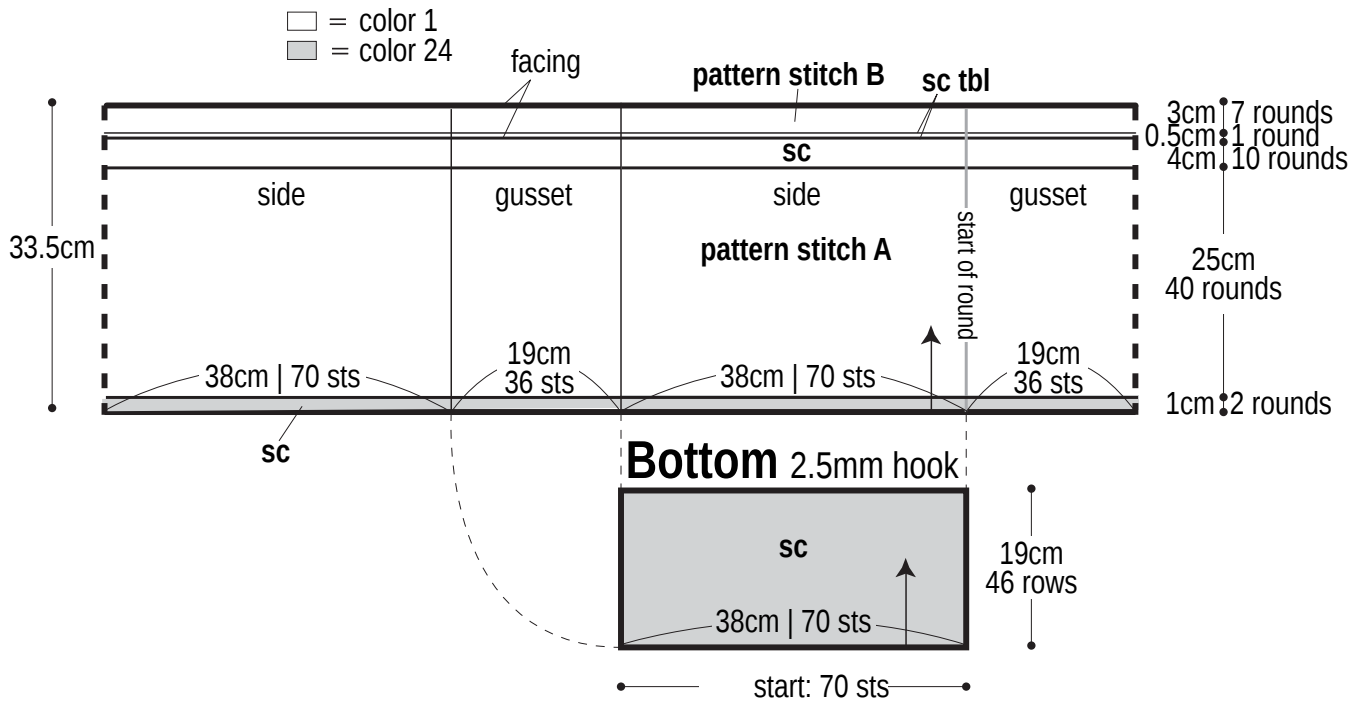
Handle (make 2): Work foundation chain to begin, then work in sc. Work 1 row of sc at each end of handle. Seam from ★ to ★ with whipstitch.

Finishing: Seam handles to bag. Fold facing to inside of bag, then whipstitch in place on wrong side. Sew magnetic snap in place. Cut interfacing to required size & shape, then insert into bottom of bag.

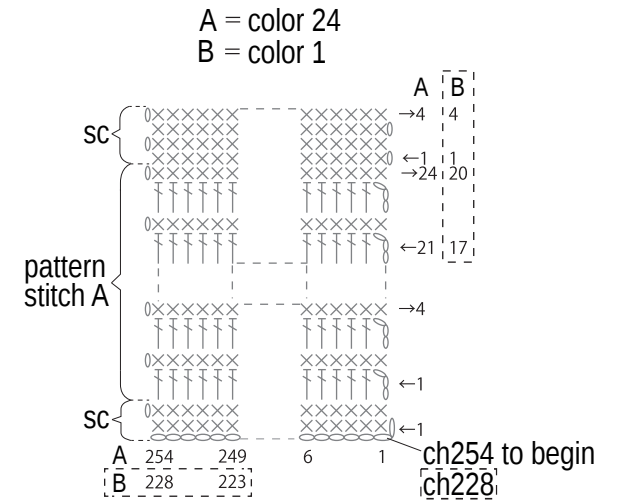
Abbreviations:

ch = chain sc = single crochet (US) tbl = through back loop only

Body of bag 2.5mm hook



Pattern stitch: pockets



Pocket (make 2) 2.5mm hook

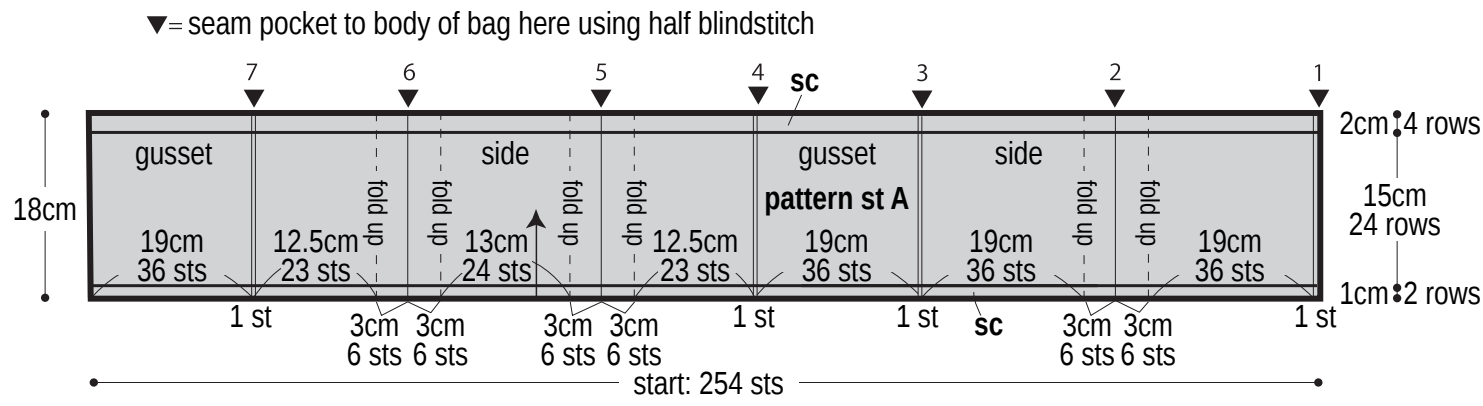
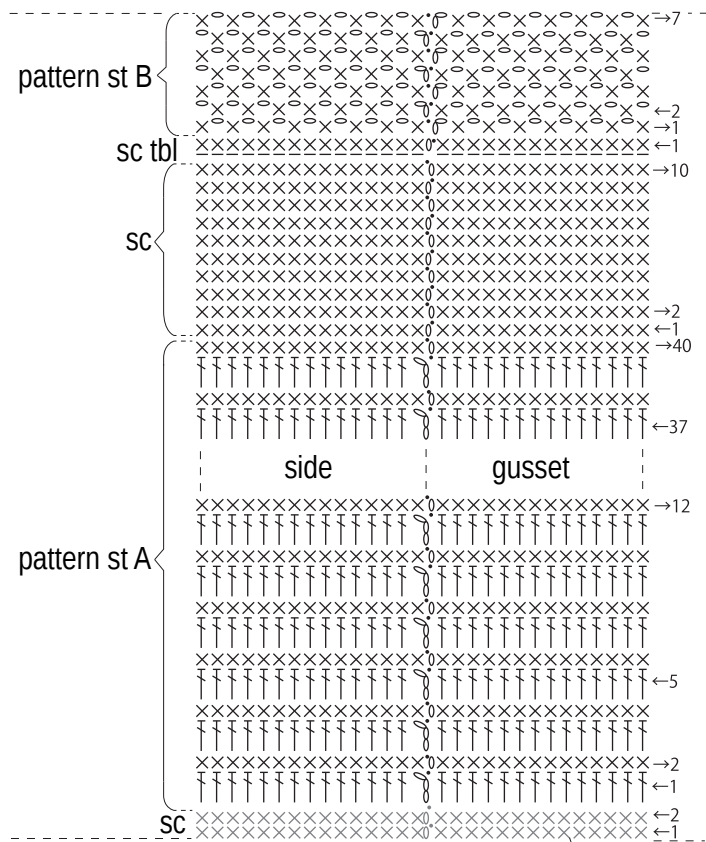


Chart: body of bag

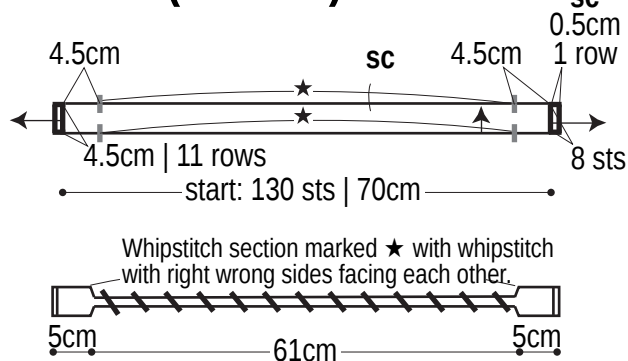
— = color 1
 — = color 24



Work 212 sts around bottom.

Handle (make 2)

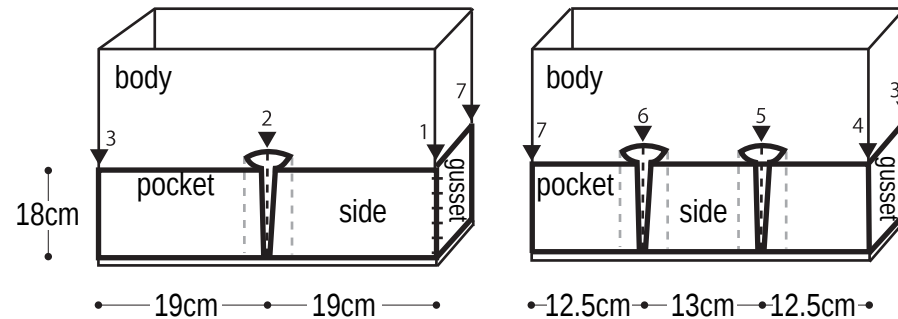
2.5mm hook



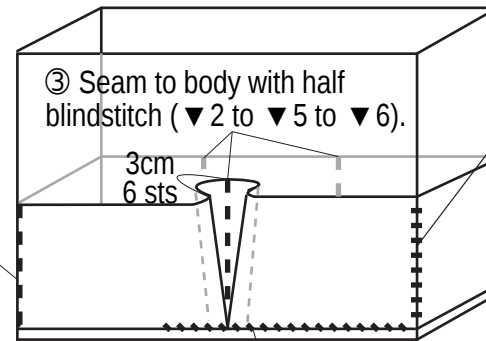
Pocket attachment

color 24

▼ = seam pocket to body of bag here using half blindstitch



① Seam corner to body with half blindstitch (from ▼ 3 to ▼ 4 to ▼ 7).

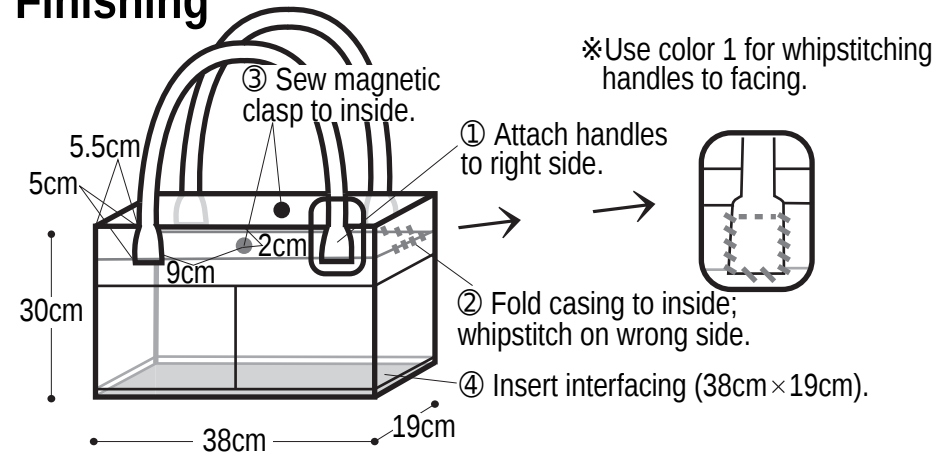


③ Seam to body with half blindstitch (▼ 2 to ▼ 5 to ▼ 6).

② After seaming both side edges of pocket with whipstitch (forming a ring), seam the ring to the body of bag with half blindstitch.

④ Whipstitch to second round of sc on body of bag. (Seam through 3 layers where bottom of fold from step ③ meets bottom of bag.)

Finishing



③ Sew magnetic clasp to inside.

① Attach handles to right side.

② Fold casing to inside; whipstitch on wrong side.

④ Insert interfacing (38cm x 19cm).