

218aw-12 Lowry Aran Pullover



Suggested yarn:

- Pierrot Yarns Lowry [80% merino wool, 20% cashmere; 65 yds/59m per 1.41 oz./40g skein]; color #01 ivory, 13 skeins [490g]

Tools/Notions:

- 5.1mm (approx. US 8), 5.7mm (approx. US 9), and 6.0mm (US 10) knitting needles or sizes necessary to achieve gauge
- cable needle

Finished measurements:

- chest 76cm/29.9"
- cross back width 27cm/10.6"
- back length 53cm/20.9"

Gauge (10cm/4" square):

- pattern stitch (with 5.7mm needles): 20 sts and 25 rows
- pattern stitch (with 6.0mm needles): 18 sts and 23 rows

Gauge may vary according to individual knitting style. Change needle size if necessary to achieve gauge. Alternatively, rework pattern with your own gauge measurements.

Summary

Body (back & front): Cast on with long-tail cast-on method. Work in k1p1 ribbing. Continue in pattern stitch & st st, changing needle size when indicated to adjust gauge.

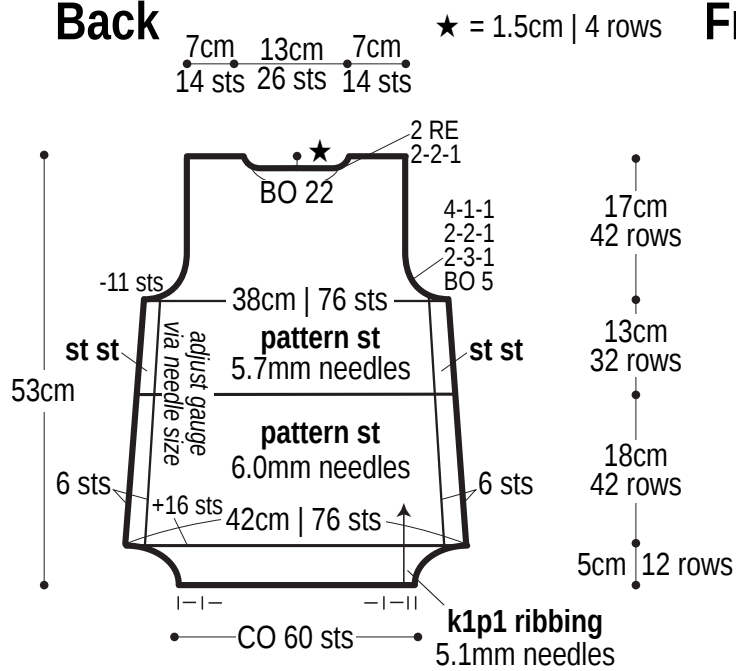
Sleeve: Cast on with long-tail cast-on method. Work in k1p1 ribbing and then in pattern stitch. Shape sides of sleeve with lifted increase. Shape sleeve cap by binding off stitches where indicated and by working decreases at edges.

Finishing: Seam shoulders with crochet slip stitch seam. Pick up stitches around neckline; work collar in k1p1 ribbing in the round, changing needle size when indicated. Bind off in pattern. Seam sides of each sleeve together with mattress stitch (to form tube for sleeve). Seam each side of body together with mattress stitch. Seam sleeves to body with crochet slip stitch seam.

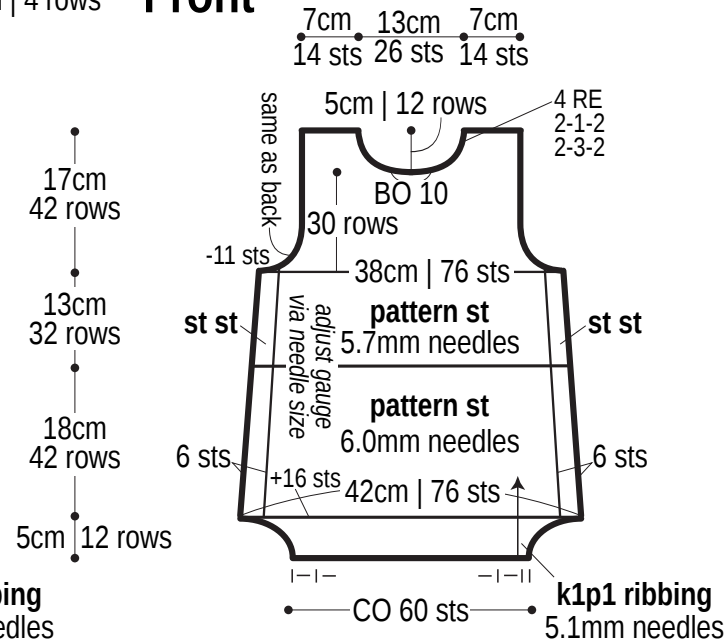
Abbreviations:

BO = bind off CO = cast on k = knit p = purl PU = pick up RE = row(s) even st st = stockinette stitch #-#-# = rows-stitches-times

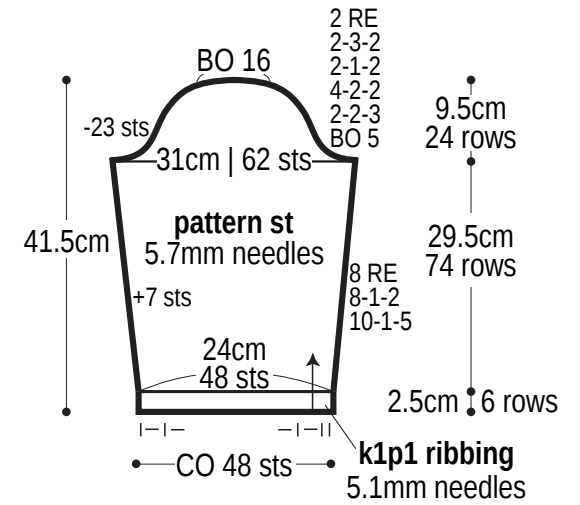
Back



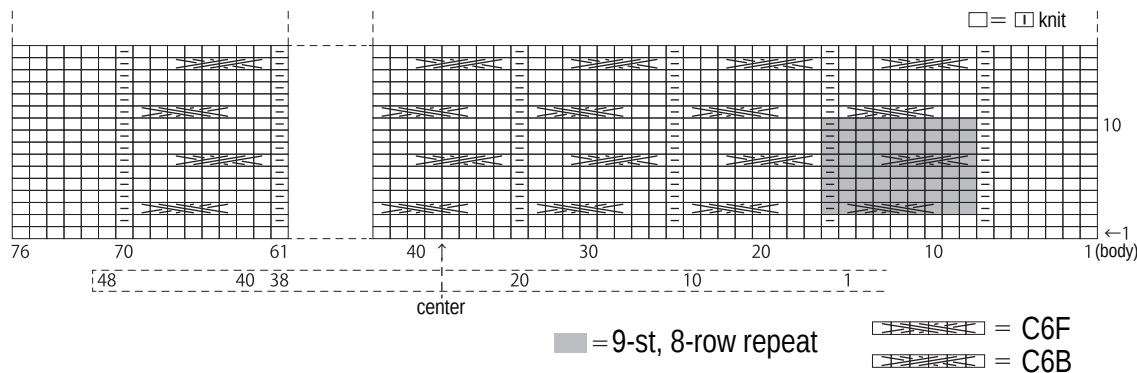
Front



Sleeve



Pattern stitch & st st



Finishing

