

1222po Pretty Pouch



Suggested yarn:

- Pierrot Yarns La Puree [100% cotton; 197 yds/180m per 1.76 oz./ 50g cone];
 - color #071 carnation pink, 1 cone [50g]
 - color #074 magenta, 1 cone [25g]
 - color #110 coral pink, 1 cone [25g]

Tools/Notions:

- 2.5mm (approx. US B or C) crochet hook or size necessary to achieve gauge
- zipper (20cm/7.9")
- fabric for lining (34cm/13.4" by 23cm/9.1")

Finished measurements:

- depth 14.5cm/5.7"
- width 21cm/8.3"
- gusset width 3cm/1.2"

Gauge (10cm/4" square):

- pattern stitch: 29 sts and 13.5 rows

Gauge may vary according to individual crochet style. Change hook size if necessary to achieve gauge. Alternatively, rework pattern with your own gauge measurements.

Summary

✳️**Note A:** Like all Japanese patterns, stitch counts given here for foundation chains do not include any chain sts needed for turning posts.

✳️**Note B:** Entire pouch work with 2 strands of yarn held together.

Body of pouch: Work foundation chain to begin, then work in pattern stitch, changing color where indicated. Work edging and bind off. Work new row of stitches into foundation chain and work other half of bag as for first half. Work edging and bind off. Fold in half along foundation chain with right sides facing each other; seam sides together with whipstitch. Create gusset by sewing bottom corners of pouch as shown in finishing schematic. Sew zipper in place.

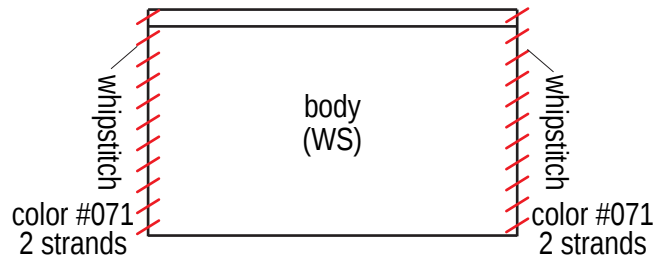
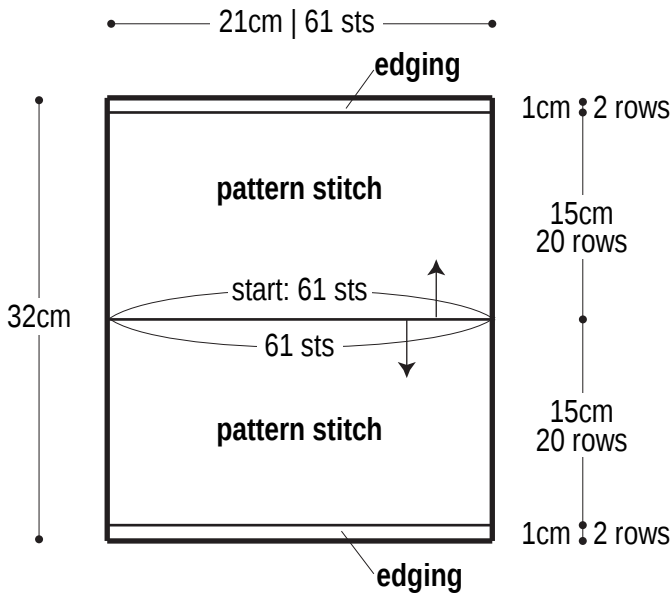
Finishing: Sew lining as shown in lining schematic. Sew lining into pouch. Create tassel and fasten to zipper pull.

Abbreviations:

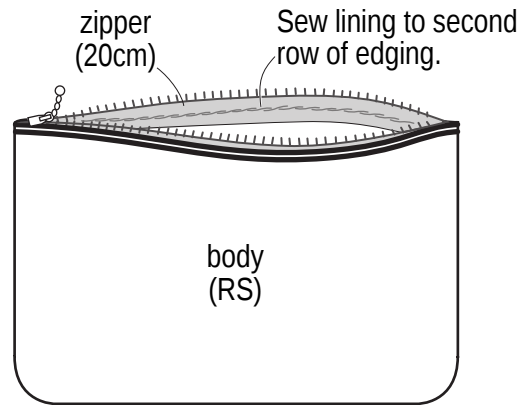
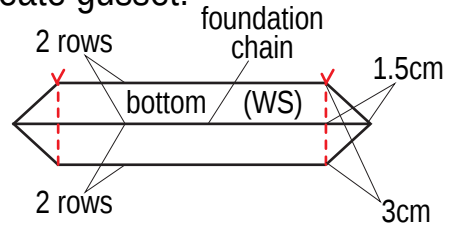
ch = chain
dc = double crochet (US)
RS = right side
WS = wrong side

Pouch finishing

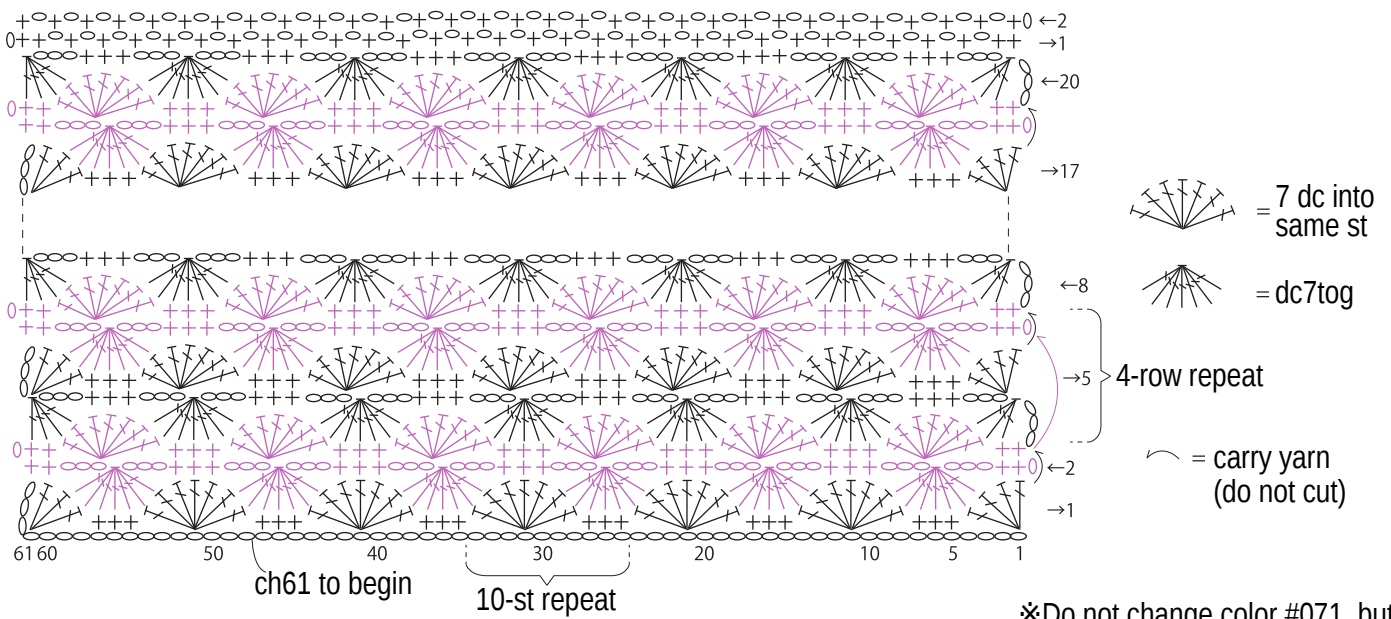
Body of pouch 2.5mm hook



Create gusset:



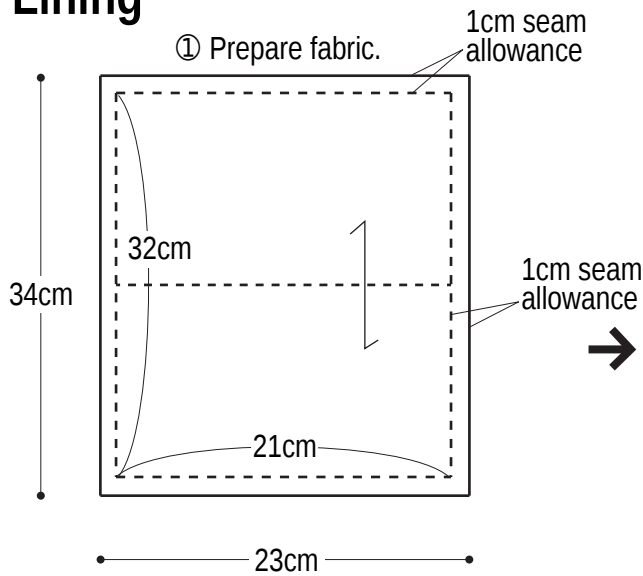
Pattern stitch & edging



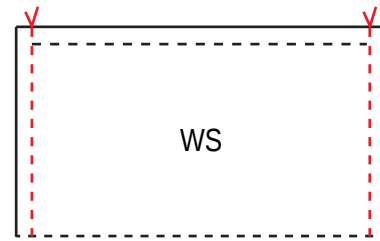
— = 2 strands (color #071 & color #110)
 — = 2 strands (color #071 & color #074)

*Do not change color #071, but alternate between color #074 & 110 every 2 rows, carrying the unused color up the side of work.

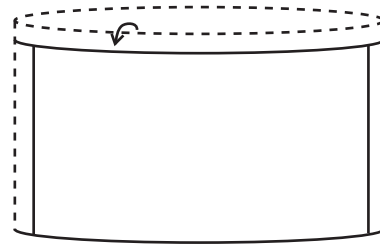
Lining



② Seam both sides of lining fabric.

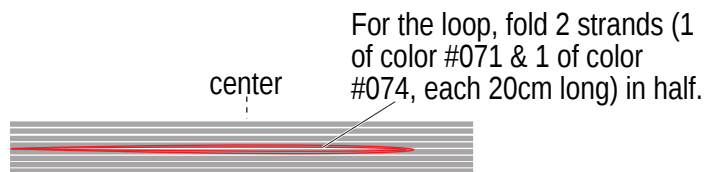


③ Fold back seam allowance.

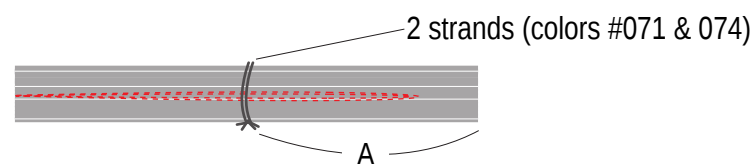


Create tassel:

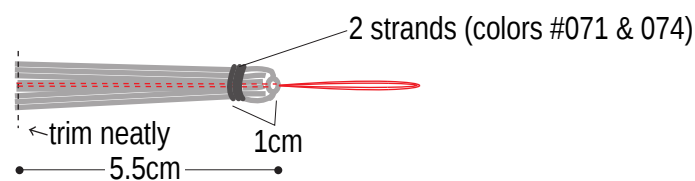
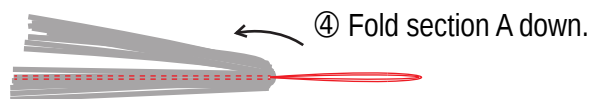
① Prepare 12 strands of each of the 3 colors (each 12cm long).



② Place the 2 strands for the tassel loop on top of the rest of the strands.

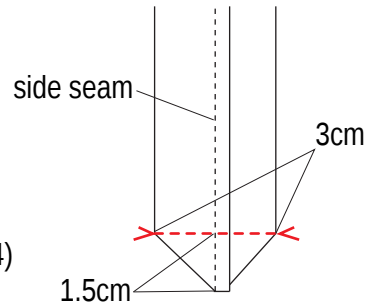


③ Tie a knot at the center, ensuring that the loop strands are secured at the center.



⑤ Wrap yarn around the tassel 1cm from the folded edge. Tie a knot to secure.

④ Create gusset.



⑤ Insert lining into pouch & whipstitch in place. Fasten tassel to zipper pull.

