

218w-12 Bear Ear Cape



Suggested yarn:

- Pierrot Yarns Basic Bulky [100% merino wool; 49 yds/45m per 1.41 oz./40g skein]; color #37 winter rose, 10 skeins [400g]

Tools/Notions:

- 7.0mm (between US 10½ and 11) and 8.0mm (US 11) knitting needles or sizes necessary to achieve gauge
- 7.0mm (between US K and L) crochet hook or size necessary to achieve gauge
- cable needle
- sewing needle and thread
- 1 toggle button set (50mm/2")

Finished measurements:

- back length 44.5cm/17.5" (Intended for child 120cm/47.2" tall, roughly 7-8 years old.)

Gauge (10cm/4" square):

- pattern stitch A: 11 sts and 17 rows
- pattern stitch B (with 8mm needles): 11 sts and 16 rows
- pattern stitch B & C (with 7mm needles): 11.5 sts and 17 rows

Gauge may vary according to individual knitting style. Change needle size if necessary to achieve gauge. Alternatively, rework pattern with your own gauge measurements.

Summary

Body: Cast on with long-tail cast-on method. Work in garter stitch and pattern stitches A & B according to charts and schematic. Work evenly spaced decreases in the pattern stitch B section and also change needle size when indicated to alter gauge. Bind off.

Hood: Cast on with long-tail cast-on method. Work in garter stitch and pattern stitch C. When finished, do not bind off stitches; place on stitch holder(s). Seam center top of hood with right sides facing each other with crochet slip stitch seam.

Ear (make 2): With crochet hook, work magic ring, then work back and forth in rows.

Finishing: Seam hood to neckline with crochet slip stitch seam. Seam each ear to hood where indicated using whipstitch. Sew toggle button in place.

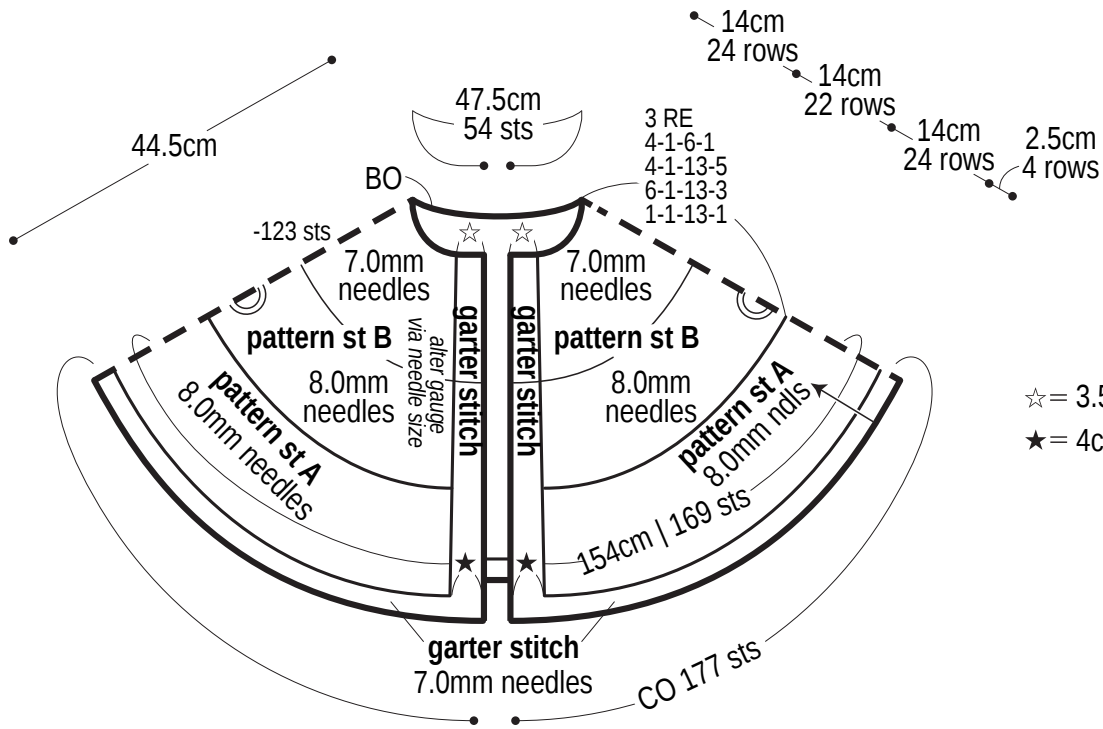
Abbreviations:

BO = bind off CO = cast on m = magic ring/circle OH = on hold (that is, place on stitch holder) PU = pick up RE = row(s) even

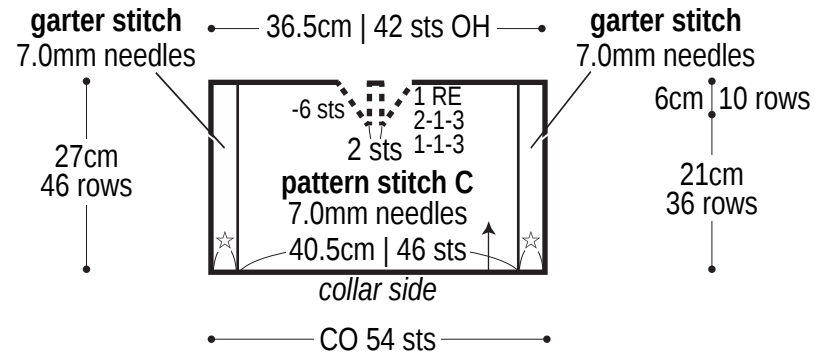
#-#-# = rows-stitches-times

#-#-#-# = rows-stitches-places-times [for evenly spaced decreases across entire span of item]. For example, 1-2-3-4 means "every 1 row, decrease 2 stitches in each of 3 places across the row; do this 4 times total."

Body

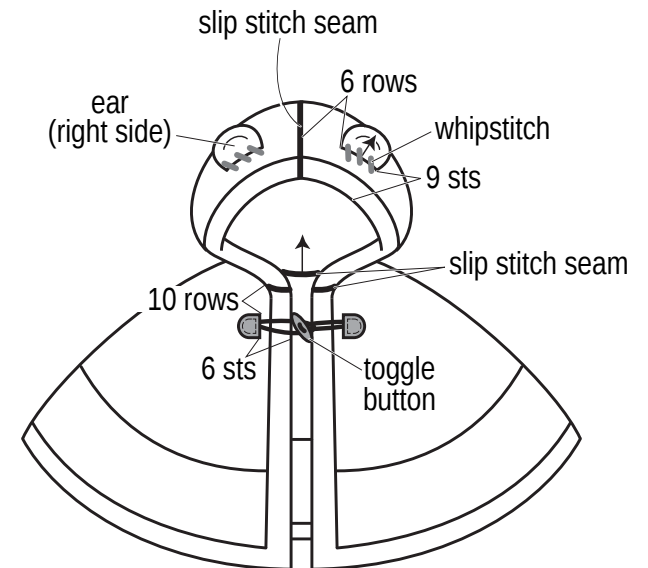


Hood



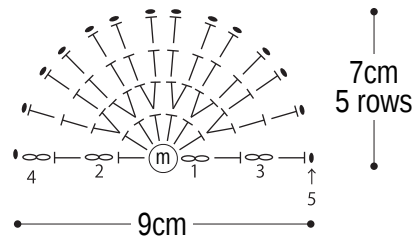
☆ = 3.5cm | 4 sts
★ = 4cm | 4 sts

Finishing



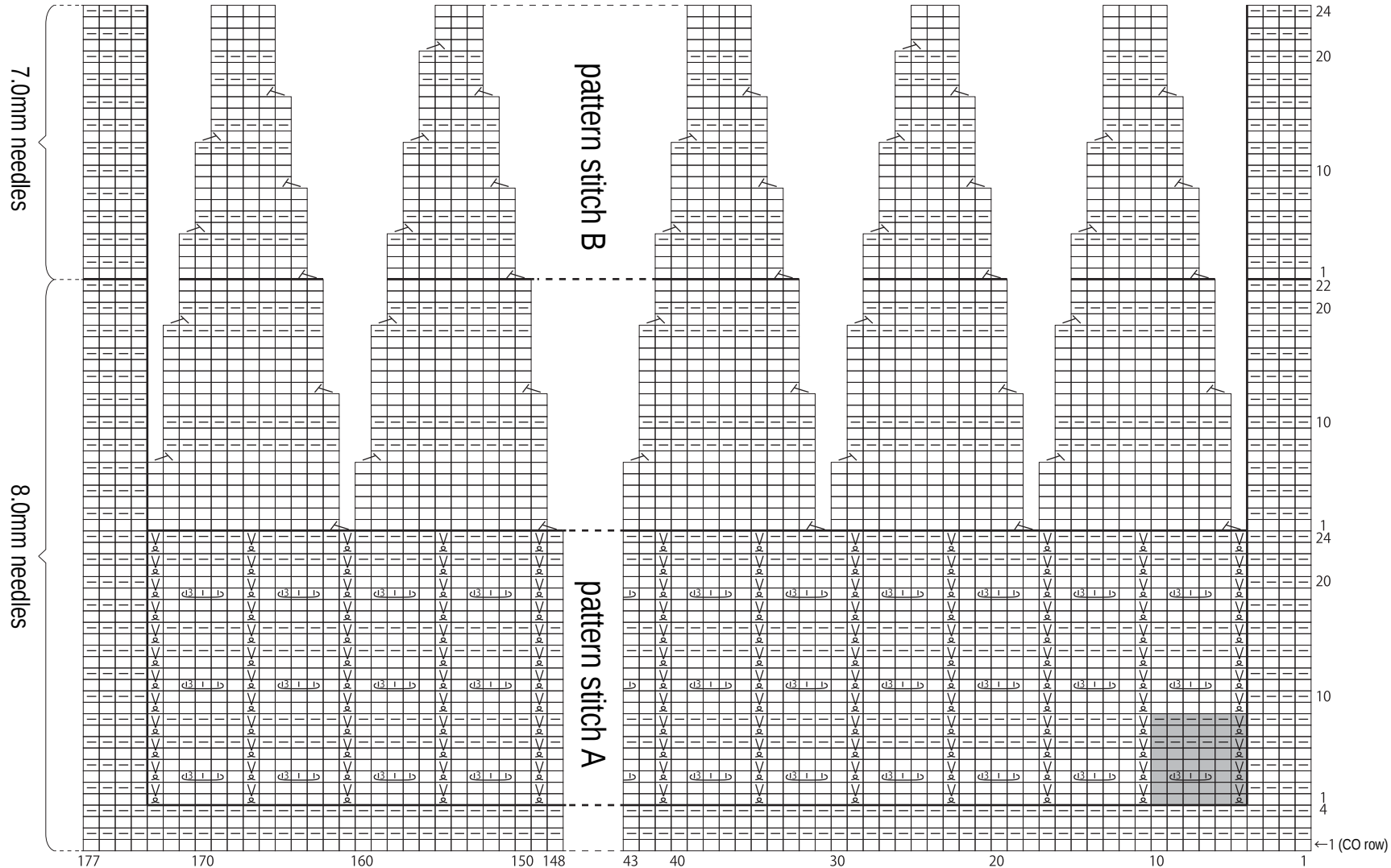
Ear (make 2)

7.0mm hook





Body chart


□ = □ knit



Use QR code on smartphone to view a video tutorial about how to work a 3-st knot stitch. → 

*To view on computer, search on the Pierrot Yarns website or YouTube channel instead.

 = 3-st knot stitch  = twisted slip stitch

 = 1 repeat of pattern stitch A (6 sts & 8 rows)

Hood

