

# 28-40 Mini Bag



## Suggested yarn:

- Pierrot Yarns New Tweed Old [85% acrylic, 10% wool, 5% polyester; 55 yds/50m per 1.41 oz./40g skein];
  - color #5 apricot, 1 skein [20g]
  - color #11 smoky fresco blue, 2 skeins [60g]

## Tools/Notions:

- 4.0mm (US G) crochet hook or size necessary to achieve gauge
- 4 buttons (18mm/0.71")

## Finished measurements:

- Please see finishing schematic.

## Gauge (10cm/4" square):

- No gauge information is provided in the original pattern. Please use hook size necessary to achieve desired fabric density & drape.

*Gauge may vary according to individual crochet style. Change hook size if necessary to achieve gauge. Alternatively, rework pattern with your own gauge measurements.*

## Summary

✳️**Note 1:** Like all Japanese patterns, stitch counts given here for foundation chains do not include any chain sts needed for turning posts.

✳️**Note 2:** Entire bag worked with 1 strand of yarn at a time.

**Body of bag:** Work foundation chain (ch30) and join into the round. Referring to chart & schematic, work sc back and forth in joined rounds. Change yarn color as indicated in chart.

**Handle (make 2):** Work foundation chain (ch55), then work in sc according to schematic & chart.

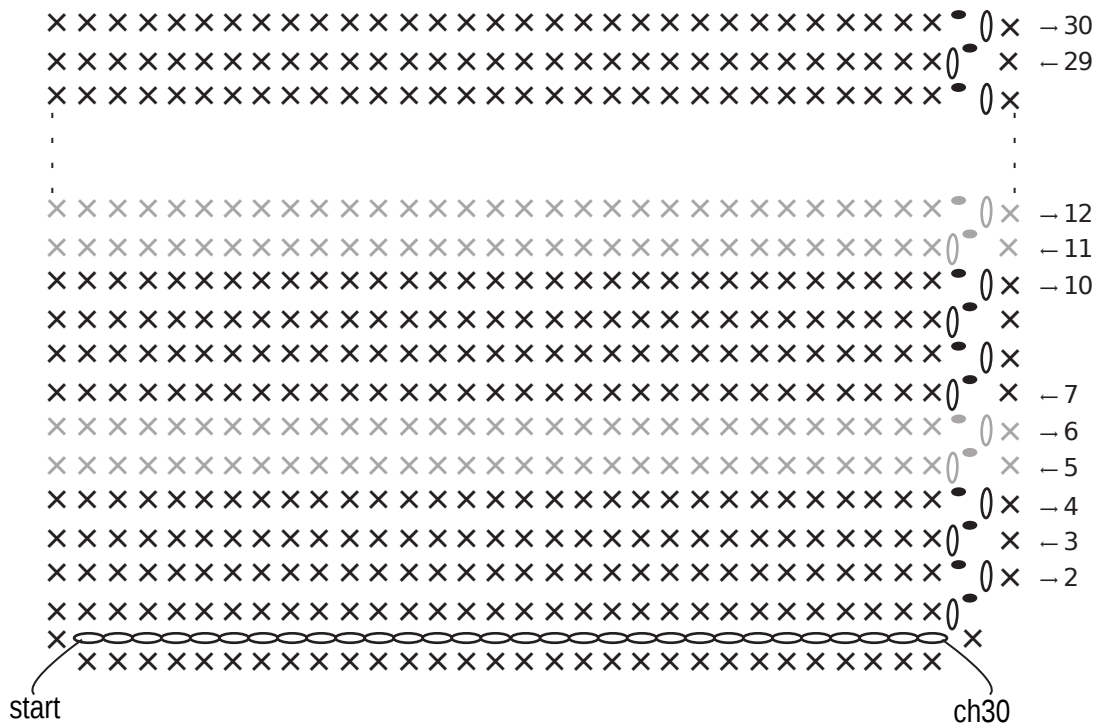
**Finishing:** Fasten handles and buttons to bag as shown in finishing schematic.

### Abbreviations:

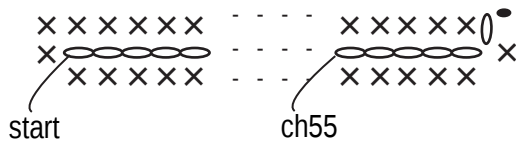
ch = chain

sc = single crochet (US)

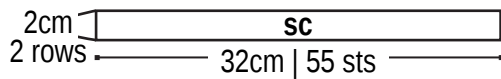
# Bag chart



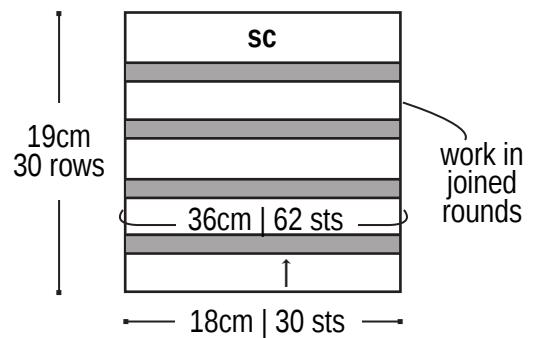
## Handle chart



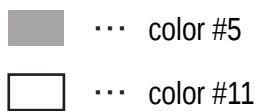
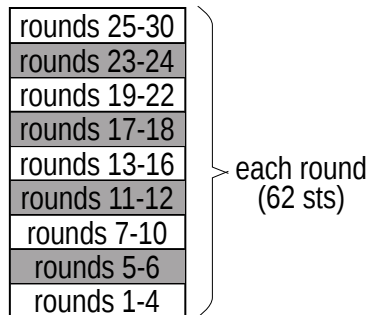
## Handle (make 2)



## Bag schematic



## Color key



## Finishing

