

218ss-10 Vienne Angel Tee



Suggested yarn:

- Pierrot Yarns Vienne [100% cotton; 98 yds/90m per 1.41 oz./40g skein]; color #06 navy, 5 skeins [170g]

Tools/Notions:

- 3.0mm (US 3) and 3.6mm (approx. US 5) knitting needles or sizes necessary to achieve gauge
- 2.5mm (approx. US B or C) crochet hook or size necessary to achieve gauge

Finished measurements:

- chest 74cm/29.13"
- cross back width 27cm/10.63"
- back length 38cm/14.96"
- sleeve length 12.5cm/4.92"

Gauge (10cm/4" square):

- stockinette stitch: 23 sts and 33 rows
- pattern stitch: 24 sts and 11.5 rows

Gauge may vary according to individual knitting style. Change needle size if necessary to achieve gauge. Alternatively, rework pattern with your own gauge measurements.

Summary

Body (make 2): Cast on with long-tail cast-on method. Work in k1p1 ribbing and then in st st.

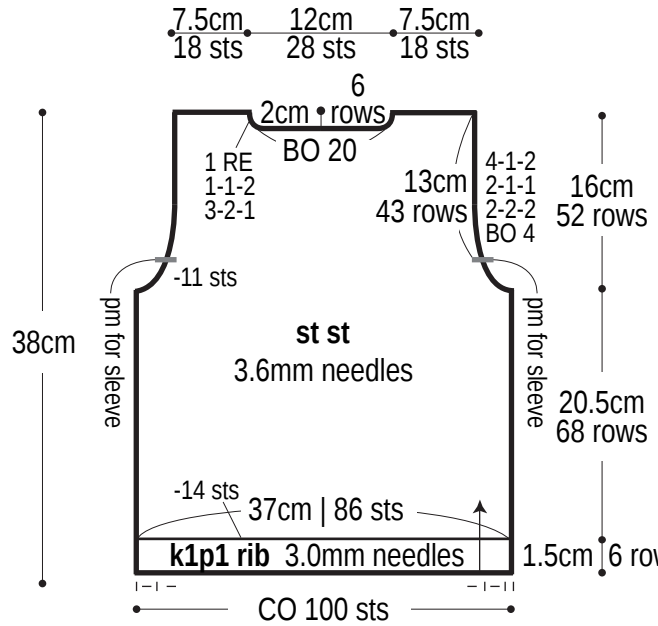
Sleeve (make 2): With crochet hook, work foundation chain. Work sleeve in pattern stitch.

Finishing: Seam shoulders with crochet slip stitch seam. Seam sides with mattress stitch. With knitting needles, pick up stitches around neckline. Work collar in k1p1 ribbing in the round. Bind off in pattern. Seam sleeves to armholes using ladder stitch or mattress stitch. Work 1 row of sc edging along lower (knitted) edge of each sleeve.

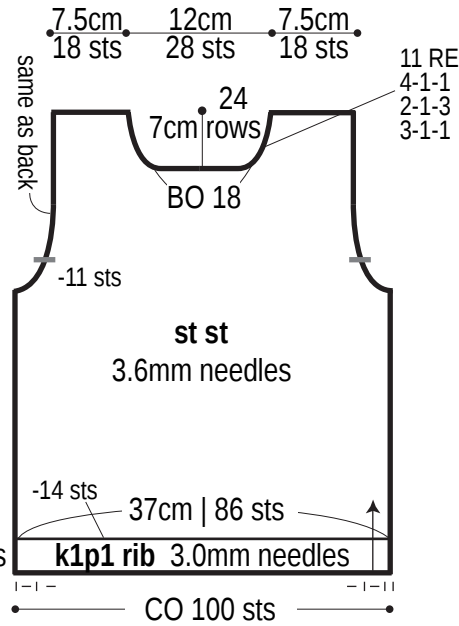
Abbreviations:

BO = bind off CO = cast on k = knit p = purl pm = place marker PU = pick up RE = row(s) even sc = single crochet (US) st st = stockinette stitch
#-#-# = rows-stitches-times

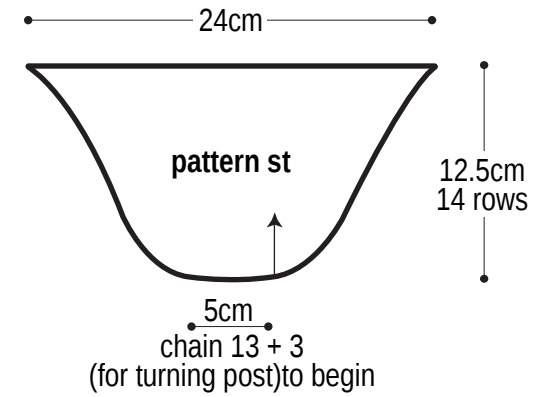
Back



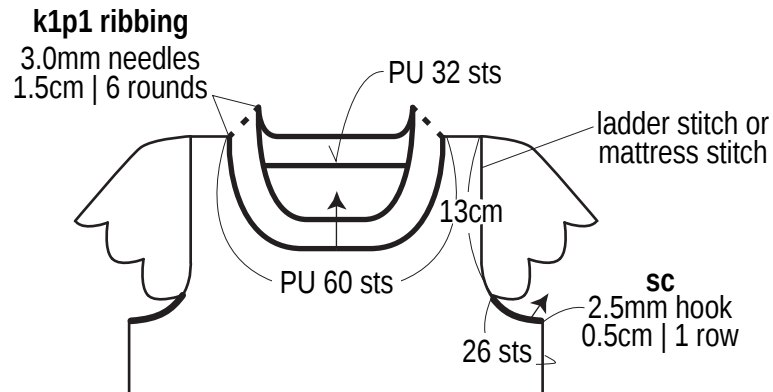
Front



Sleeve (make 2)



Finishing



Pattern stitch 2.5mm hook

