

# 218s-09 Leisure Tote Bag



## Suggested yarn:

- Pierrot Yarns Ami Cotton (Bulky) [100% cotton; 115 yds/105m per 3.53 oz./100g hank];
  - version A: color #01 Off-White, 2 hanks [200g]
  - version B:
    - color #01 Off-White, 2 hanks [125g]
    - color #18 Navy, 1 hank [80g]
  - version C:
    - color #01 Off-White, 2 hanks [110g]
    - color #04 Citrus Yellow, 1 hank [70g]

## Tools/Notions:

- 3.5mm (US E) crochet hook or size necessary to achieve gauge

## Finished measurements:

- versions A & B
  - width 33cm/12.99"
  - height (not including handles) 13.58cm/16.14"
  - handle length 51cm/20.08"
- version C:
  - circumference 70cm/27.56"
  - height 25cm/9.84"
  - gusset 10cm/3.94"

## Gauge (10cm/4" square):

- Solomon stitch (lover's knot): 16 sts and 5.5 rows

*Gauge may vary according to individual crochet style. Change hook size if necessary to achieve gauge. Alternatively, rework pattern with your own gauge measurements.*

## Summary

❖ **Note 1:** Like all Japanese patterns, stitch counts given here for foundation chains do not include any chain sts needed for turning posts.

❖ **Note 2:** A lining may be inserted into the bag if you desire.

**Versions A & B:** Work foundation chain to begin. Work bottom in sc in the round, increasing as indicated in the chart. Continue on to sides from the bottom, working first round in sc tbl. Work sides in Solomonstitch, working back and forth in joined rounds. Work handles and mouth of bag in pattern stitch A as indicated in schematic.

**Version C:** Work foundation chain to begin. Work bottom in hdc in the round, increasing as indicated in the chart. Continue on to sides from the bottom, working first round in sc tbl. Work sides in Solomon stitch as for versions A & B. Work handles and mouth of bag in pattern stitch B as indicated in schematic.

## Abbreviations:

ch = chain      dc = double crochet (US)      hdc = half double crochet (US)      rep = pattern repeat(s)      sc = single crochet (US)      tbl = through back loop only

Use QR code on smartphone to view a video tutorial about how to work Solomon stitch (also known as lover's knot).



※To view on computer, search on the Pierrot Yarns website or YouTube channel instead.

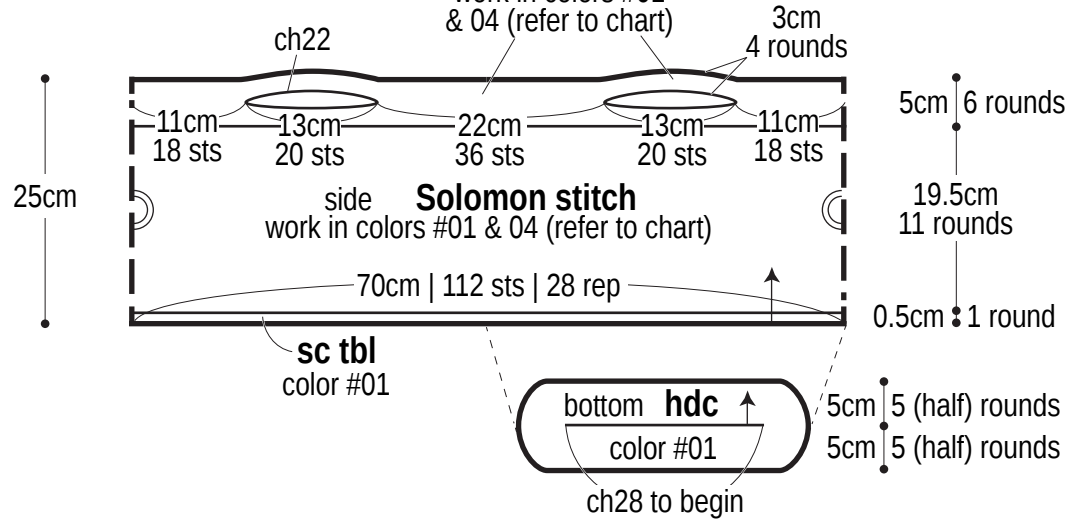


### Version C

3.5mm hook

handles & mouth of bag  
**pattern st B**

work in colors #01 & 04 (refer to chart)

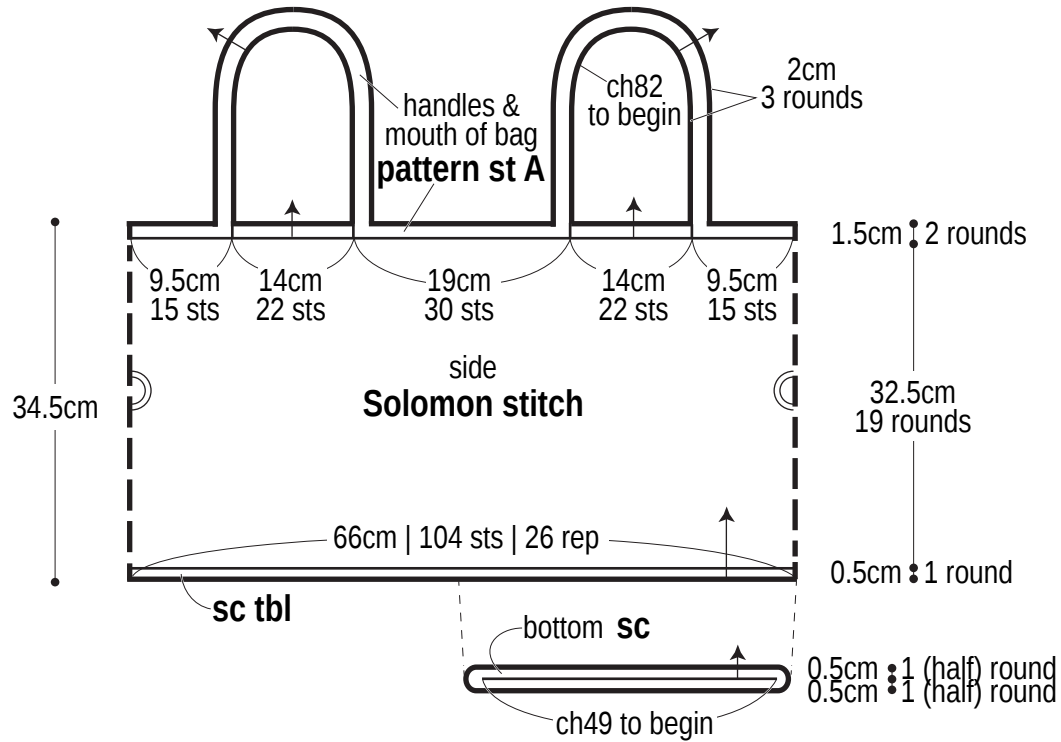


### Versions A & B

3.5mm hook

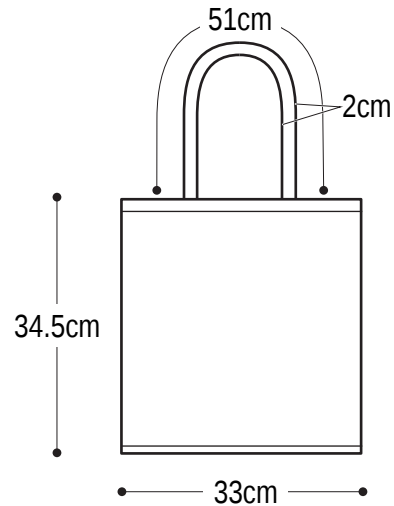
A: work in color #01

B: work in colors #01 & 18 (refer to chart)

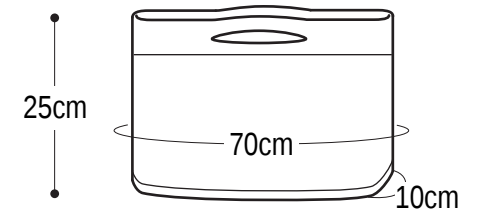


### Finished items

versions B & C



version C



# versions A & B

3.5mm hook

## Handle & mouth instructions

- ① After working hdc, ch82. Slip st into turning post just worked, forming loop. Repeat for 2nd handle.
- ② From turning post, work hdc and dc according to chart, working sts into chain from step ① in the round. Work slip st in the round. Repeat for 2nd handle.
- ③ Work slip st around inside of handle in the round. Repeat for 2nd handle.

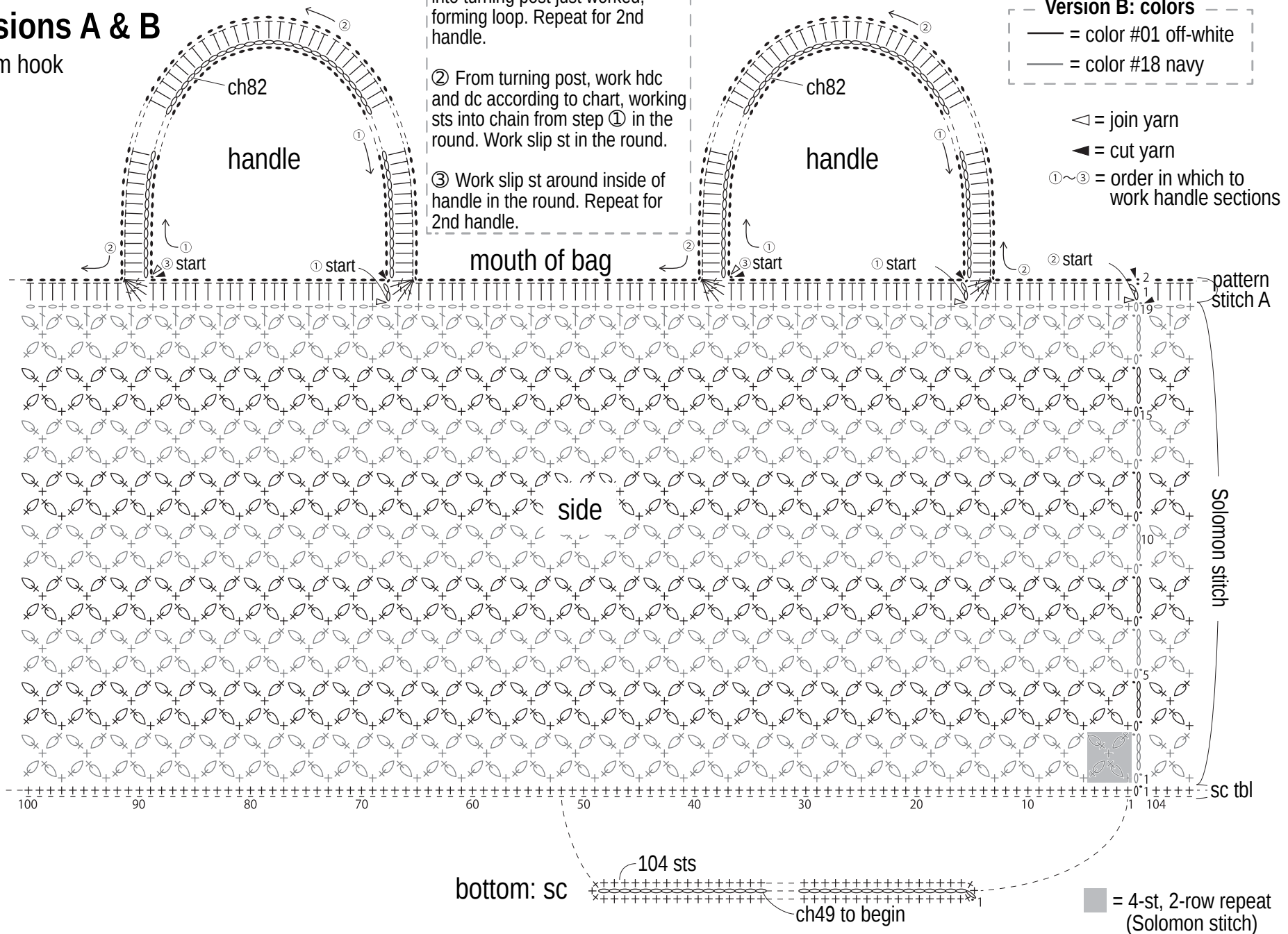
## Version B: colors

- = color #01 off-white
- = color #18 navy

◁ = join yarn

◄ = cut yarn

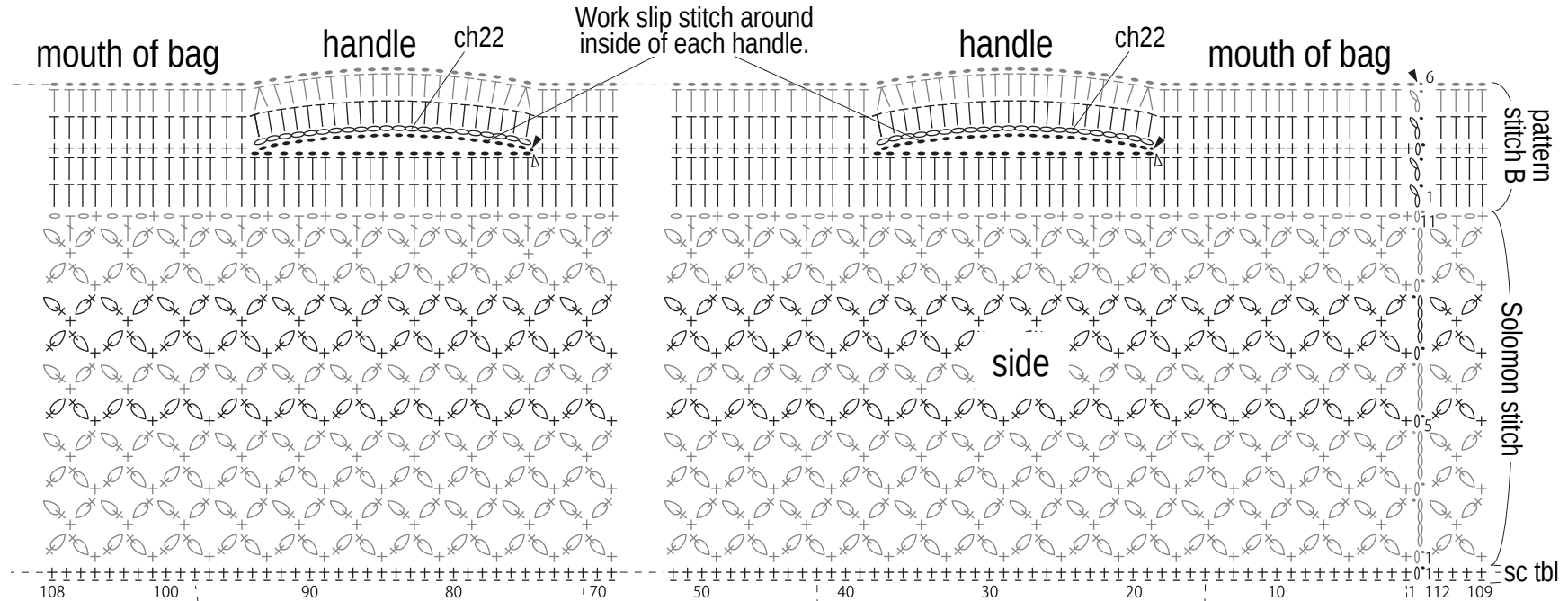
①~③ = order in which to work handle sections



**Version C** 3.5mm hook

— = color #01 off-white    — = color #04 citrus yellow

◁ = join yarn    ◀ = cut yarn



bottom: hdc

