

216w-09 Printemps Tote Bag



Suggested yarn:

- Pierrot Yarns Printemps [100% merino wool; 98 yds/90m per 1.41 oz./40g skein]; color #01 Pink, 5 skeins [185g]

Tools/Notions:

- 3.0mm (approx. US C or D) and 4.0mm (US G) crochet hook or size necessary to achieve gauge
- 5.7mm Tunisian crochet hook or size necessary to achieve gauge
- craft rope 8mm/0.31" thick

Finished measurements:

- depth 20.5cm/8.07"
- width 28cm/11.02"
- bottom 16cm/6.30" x 17.5cm/6.89"

Gauge (10cm/4" square):

- Tunisian simple stitch: 13.5 sts and 12.5 rows

Gauge may vary according to individual crochet style. Change hook size if necessary to achieve gauge. Alternatively, rework pattern with your own gauge measurements.

Summary

- ❖ **Note 1:** Like all Japanese patterns, stitch counts given here for foundation chains do **not** include any chain sts needed for turning posts.
- ❖ **Note 2:** Work bottom with 1 strand of yarn. Work sides with 2 strands of yarn held together. Work handles, cord, and decorations according to charts.

Bottom: Work magic ring to begin, then work bottom in pattern stitch according to chart & schematic.

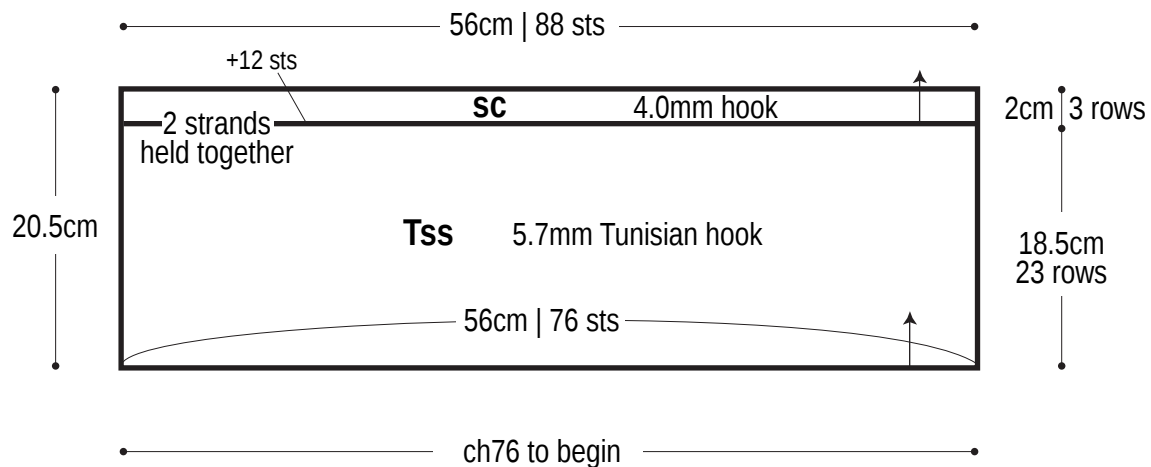
Sides: Work foundation chain to begin, then work in Tss. Continue with 3 rows of sc. Seam side edges together with mattress stitch to form a tube shape.

Finishing: Seam bottom to side piece with wrong sides facing each other using whipstitch. Crochet 2 handles and seam each one with whipstitch to form a tube. Thread one piece of rope through each handle. Fasten handles to bag with whipstitch. Crochet cord, then crochet decorative pieces and fasten to end of cord before attaching cord to handle as shown in finishing schematic.

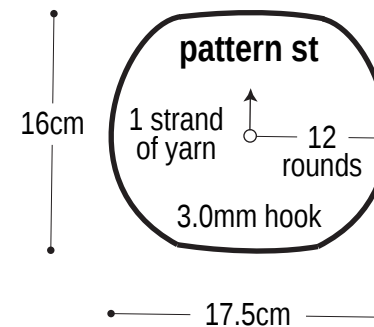
Abbreviations:

ch = chain m = magic ring/circle sc = single crochet (US) Tss = Tunisian simple stitch

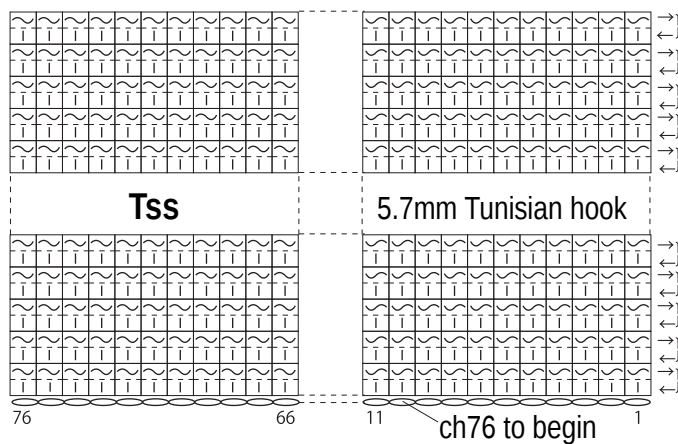
Sides



Bottom



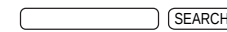
Sides: Tss



Use QR code on smartphone to view a video tutorial about how to work Tss in Tunisian crochet.

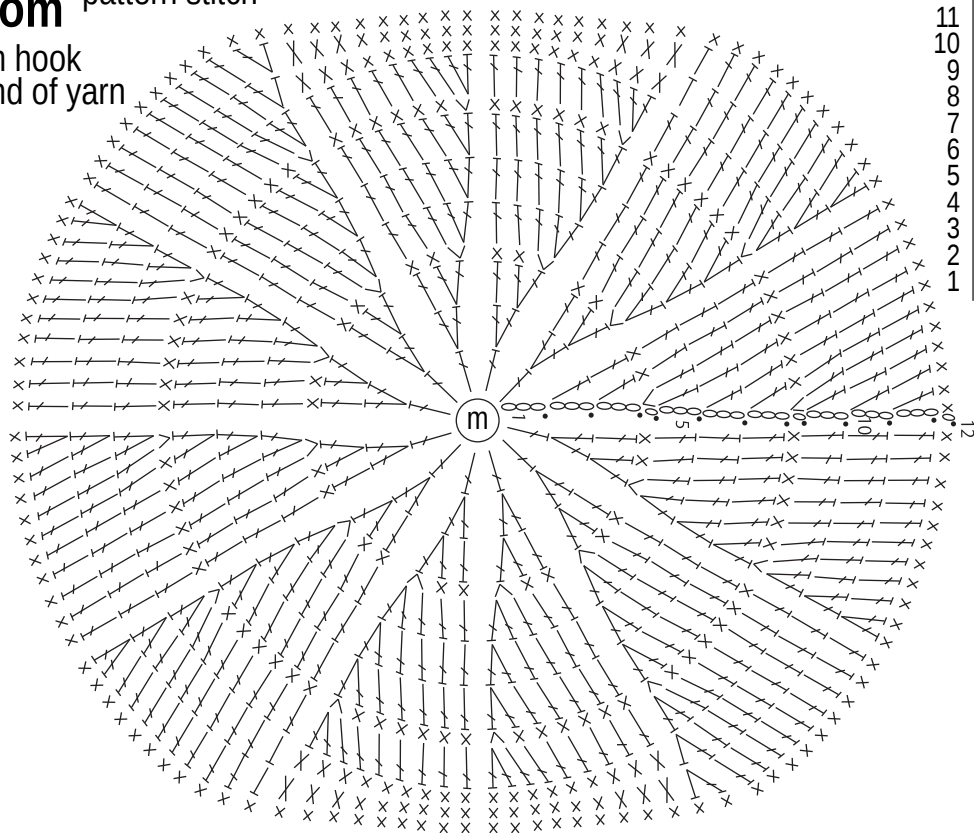


※To view on computer, search on the Pierrot Yarns website or YouTube channel instead.



Bottom pattern stitch

3.0mm hook
1 strand of yarn



round no.	stitch count
12	124 (work even)
11	124
10	116
9	108
8	96
7	84
6	72
5	60
4	48
3	36
2	24
1	12

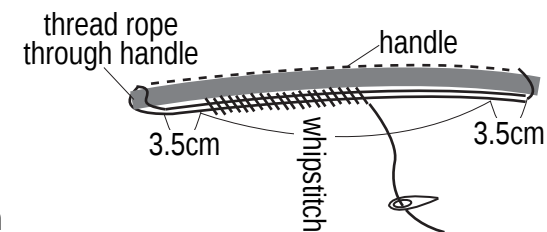
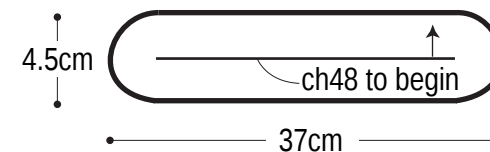
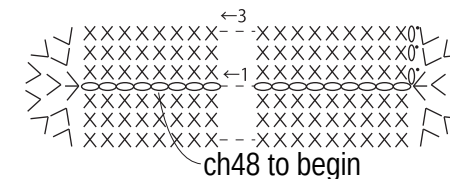
+8 sts per round (rounds 10-12)
+12 sts per round (rounds 1-9)
(work 12 sts into magic ring)

Finishing



Handle (make 2)

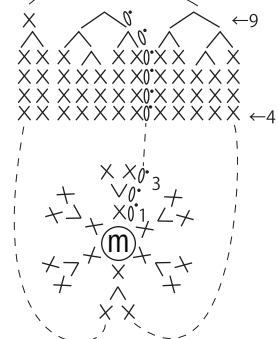
4.0mm hook, 2 strands of yarn



Decoration (make 2)

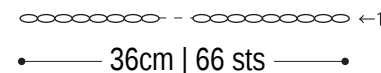
3.0mm hook, 1 strand of yarn

Cinch last 3 sts closed;
leave 15cm yarn tail.



Cord

4.0mm hook, 2 strands of yarn



Use yarn tails to fasten
decorations to ends of cord.

