

218ss-07 Marshmallow Aran



Suggested yarn:

- Pierrot Yarns Marshmallow Cotton [100% cotton; 153 yds/140m per 1.06 oz./30g skein];
 - ladies' size: color #09 gray, 8 skeins [230g]
 - kids' size: color #10 peach, 5 skeins [135g]

Tools/Notions:

- 3.0mm (US 3) and 3.3mm (approx. US 4) knitting needles or sizes necessary to achieve gauge
- cable needle

Finished measurements:

- ladies size:
 - bust 92cm/36.22"
 - center back neck-to-cuff 52.5cm/20.67"
 - back length 50cm/19.69"
- kids' size:
 - chest 71cm/27.95"
 - center back neck-to-cuff 41cm/16.14"
 - back length 38cm/14.96"

Gauge (10cm/4" square):

- stockinette stitch: 27 sts and 36 rows
- pattern stitch: 38 sts and 36 rows

Gauge may vary according to individual knitting style. Change needle size if necessary to achieve gauge. Alternatively, rework pattern with your own gauge measurements.

Summary

Body: Before beginning to knit, use crochet hook to work a chain (ch81 for ladies' size and ch58 for kids' size). This will be used later to pick up stitches for the side of the body. With knitting needles, cast on with long-tail cast-on method. Work in st st and pattern stitch. After finishing first sleeve, pick up stitches from the crochet chain you worked in advance; work new stitches in st st and garter st. Bind off.

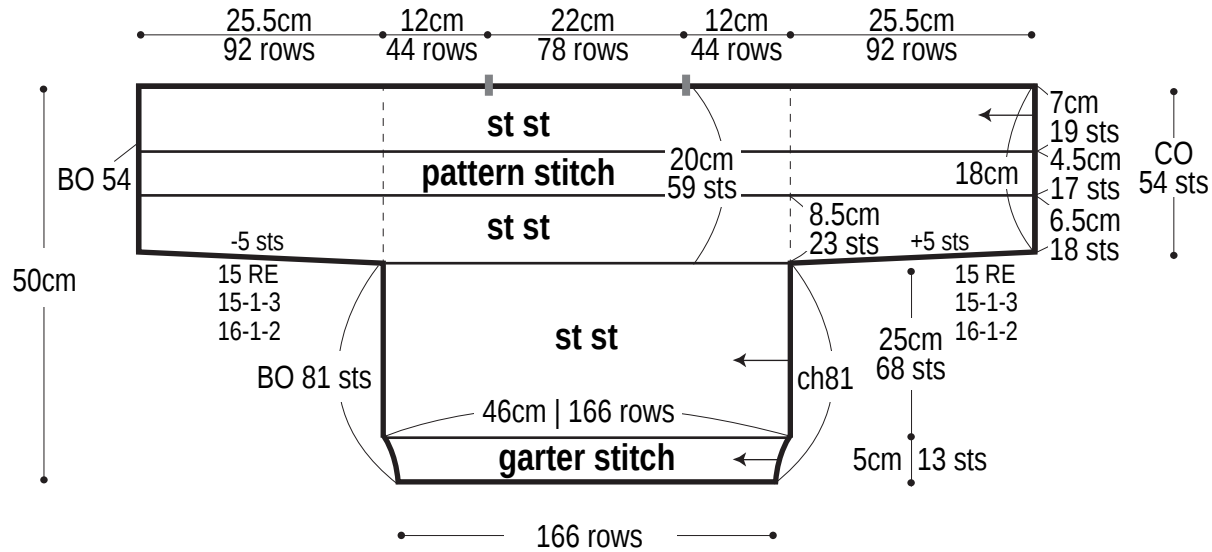
Finishing: Seam shoulders with mattress stitch. Pick up stitches round each cuff and work k1p1 ribbing in the round. Bind off in pattern. Seam sides with crochet slip stitch seam. Seam sleeve undersides with mattress stitch.

Abbreviations:

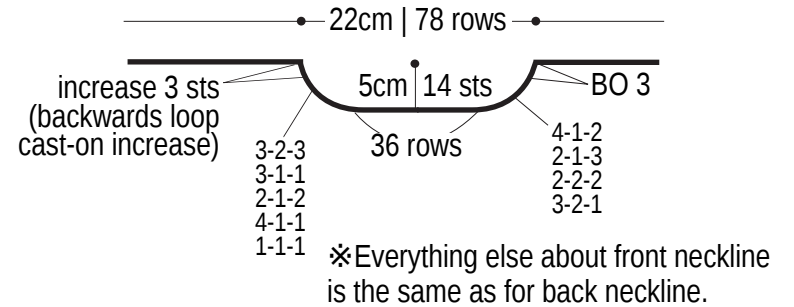
BO = bind off ch = crochet chain stitch CO = cast on k = knit p = purl PU = pick up RE = row(s) even st st = stockinette stitch
#-#-# = rows-stitches-times

Ladies' size

Back 3.3mm needles

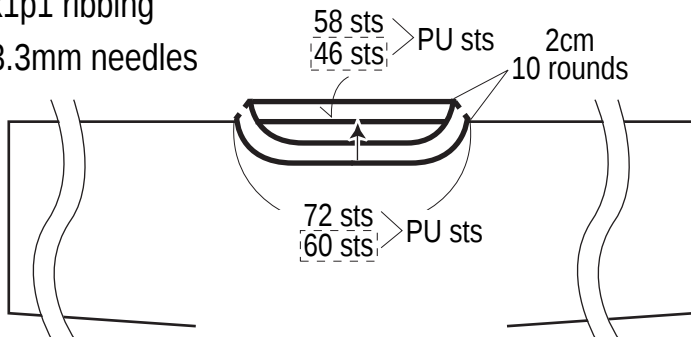


Front neckline 3.3mm needles



Collar

k1p1 ribbing
3.3mm needles

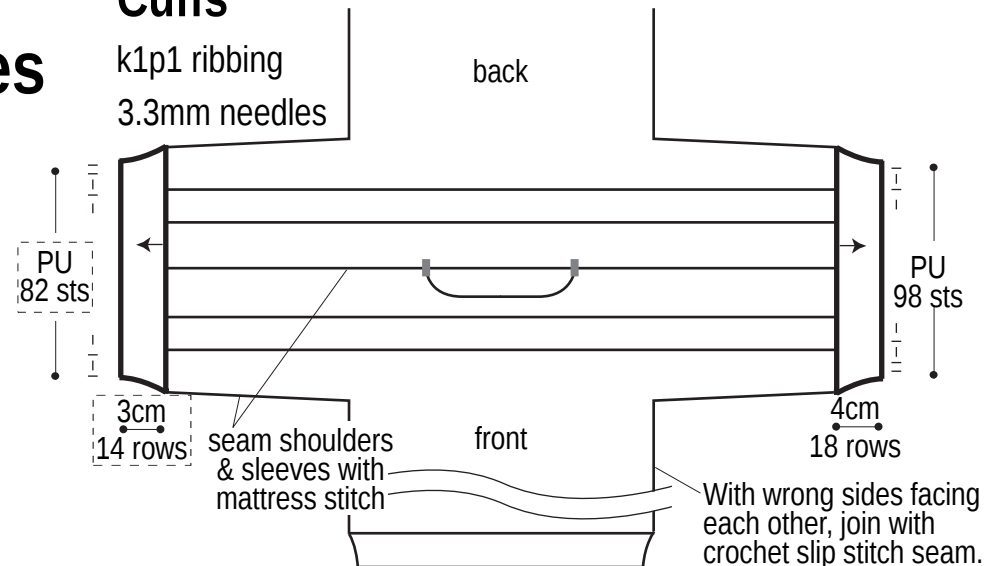


Both sizes

----- = kids' size

Cuffs

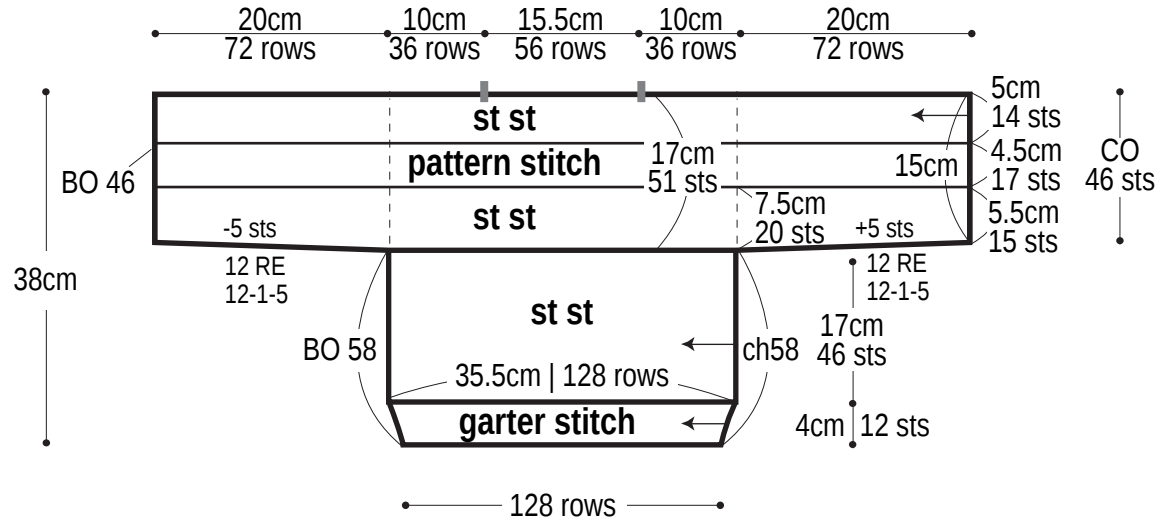
k1p1 ribbing
3.3mm needles



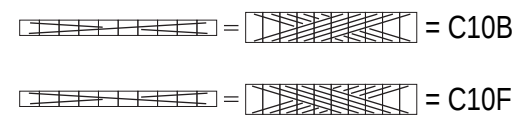
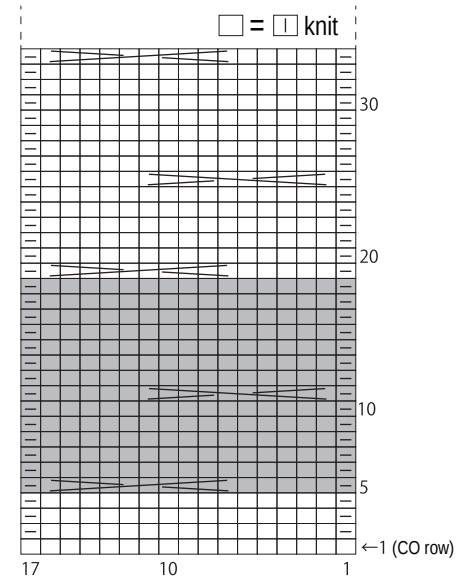
Kids' size

Back 3.3mm needles

※Refer to previous page for kids' size collar and cuff finishing.

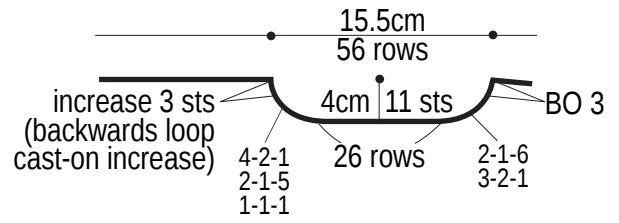


Pattern stitch
3.3mm needles



■ = 17-st, 4-row repeat

Front neckline 3.3mm needles



※Everything else about front neckline is the same as for back neckline.