

218ss-12 Tribal Clutch



a



b

Suggested yarn:

- Pierrot Yarns MIEL [100% jute (cellulose); 120 yds/110m per 3.88 oz./110g skein];
 - version A:
 - color #05 Cork, 1 skein [50g]
 - color #12 Noir, 1 skein [55g]
 - version B:
 - color #01 Lapin, 1 skein [70g]
 - color #12 Noir, 1 skein [90g]
- version B: Pierrot Yarns Le Cotton #50 [100% cotton; 282 yds/258m per 0.88 oz./25g skein];
 - color #04 Grayish Beige, 1 skein [5g]
 - color #19 Black, 1 skein [15g]

Tools/Notions:

- 2.3mm (approx. US B) and 3.5mm (US E) crochet hooks or sizes necessary to achieve gauge
- version A only: 1 duffle button
- version A only: 15cm/5.91" length of suede cord
- version B only: 1 zipper (30cm/11.81" long)

Finished measurements:

- version A:
 - bag depth 15cm/5.91"
 - opening circumference 49cm/19.29"
- version B:
 - bag depth 19cm/7.48"
 - opening circumference 64cm/25.20"

Gauge (10cm/4" square):

- single crochet (US): 16 sts and 14 rounds

Gauge may vary according to individual crochet style. Change hook size if necessary to achieve gauge. Alternatively, rework pattern with your own gauge measurements.

Summary

✳️**Note:** Like all Japanese patterns, stitch counts given here for foundation chains do not include any chain sts needed for turning posts.

Version A: Work foundation chain of 30 sts to begin. Work bottom in sc in the round. Continuing from bottom, work first round of sides in sc tbl, then continue in pattern stitch (tapestry crochet) in the round. Work sc around mouth of bag, then slip st. Fasten button and cord to bag.

Version B: Work foundation chain of 42 sts to begin. Work bottom in sc in the round. Continuing from bottom, work first round of sides in sc tbl, then continue in pattern stitch (tapestry crochet) in the round. For fringe, work foundation chain of 160 sts to begin. Work sc and loop sc in the round. When finished, cut center of loops with scissors. Work slip st around mouth of bag. Seam fringe to body of bag with whipstitch. Seam zipper in place with half blindstitch.

Abbreviations:

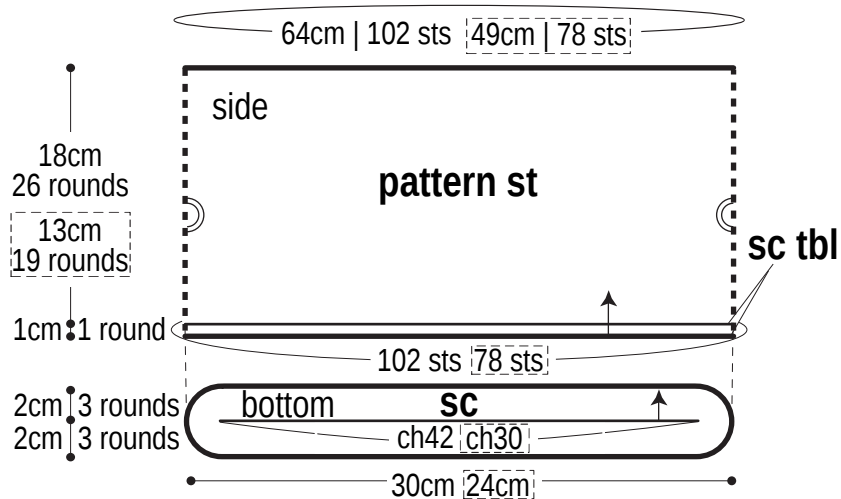
ch = chain sc = single crochet (US) tbl = through back loop only

= version A

If only one set of numbers is provided, it refers to both versions.

Body of bag (both versions)

3.5mm hook

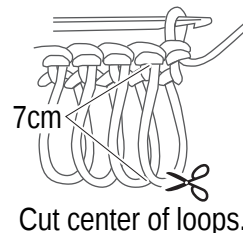
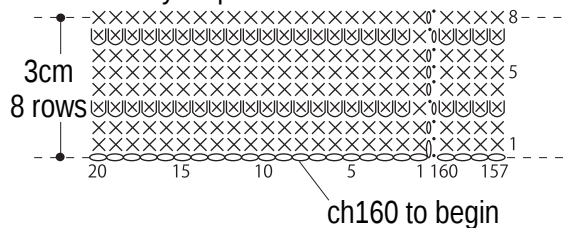


Version B: fringe 2.3mm hook

☒ = sc loop stitch

Le Cotton color #04 Grayish Beige, 1 strand
color #19 black, 3 strands } 4 strands total

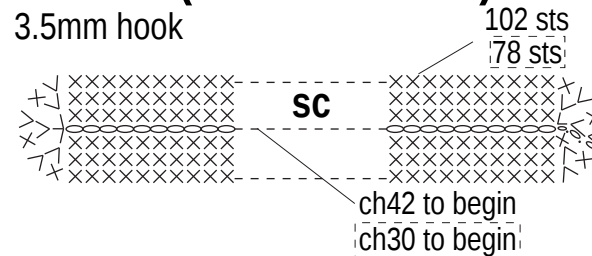
※Work only loop st from back side.



Cut center of loops.

Bottom (both versions)

3.5mm hook

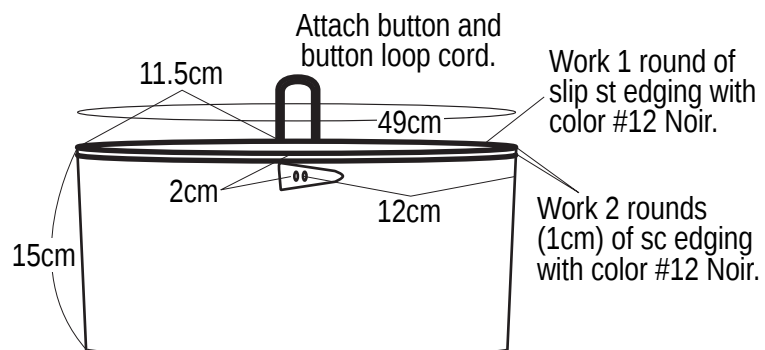


Use QR code on smartphone to view a video tutorial about how to work sc loop st.

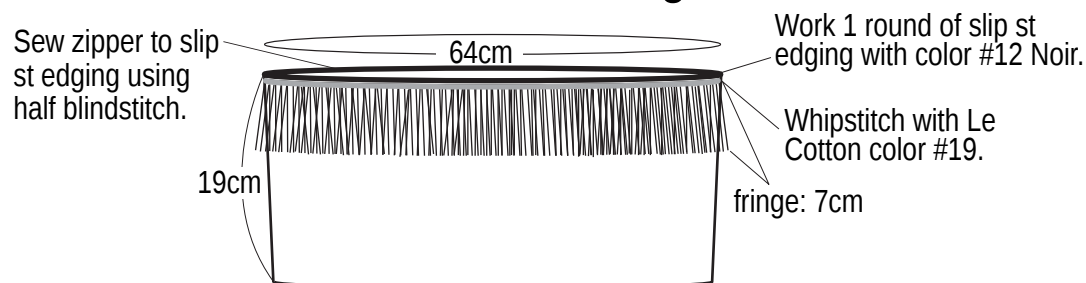


※To view on computer, search on the Pierrot Yarns website or YouTube channel instead.

Version A: finishing



Version B: finishing



Version B: sides

3.5mm hook

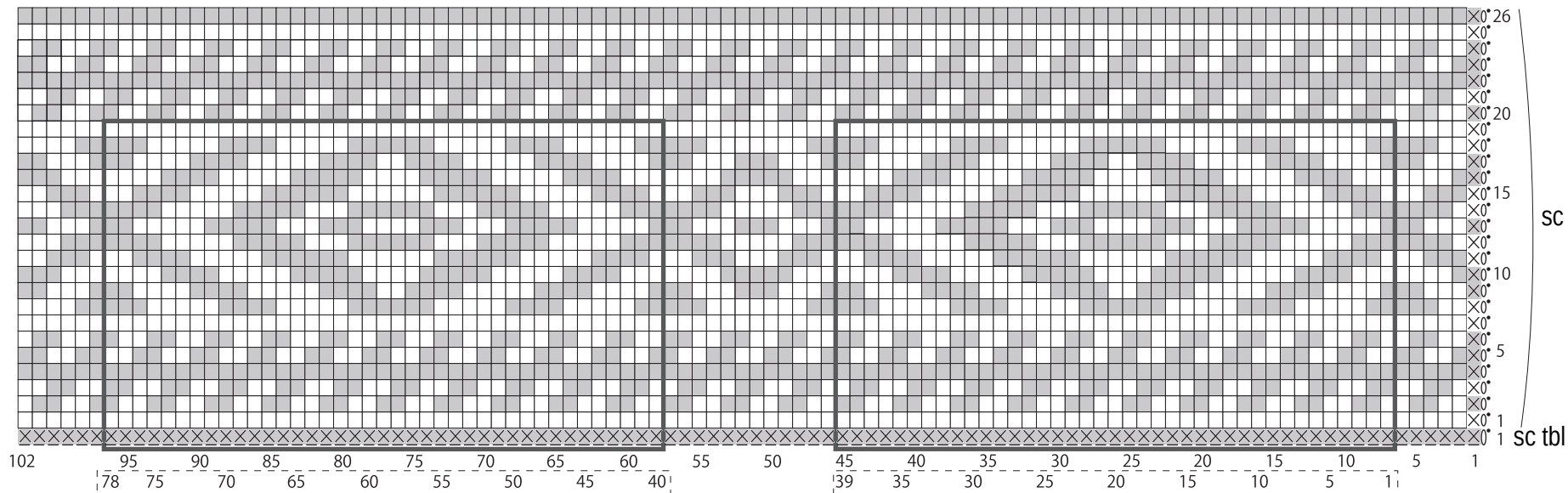
Version A


- = color #05 cork
- = color #12 noir

Version B

- = color #01 lapin
- = color #12 noir

□ = version A sides



Use QR code on smartphone to view a video tutorial about how to work tapestry stitch (stranded sc). → 

※To view on computer, search on the Pierrot Yarns website or YouTube channel instead.