

217aw-14 Kids' Coatigan



Suggested yarn:

- Pierrot Yarns Rabbits [43% mohair, 41% acrylic, 16% nylon; 63 yds/58m per 1.41 oz./40g skein]; color #02 Felice
 - small: 9 skeins [325g]
 - large: 10 skeins [380g]
- Pierrot Yarns Soft Merino Fingering [100% merino wool; 183 yds/167m per 1.41 oz./40g skein]; color #01 Ivory
 - small: 3 skeins [115g]
 - large: 4 skeins [140g]

Tools/Notions:

- 7.0mm (no close US equivalent) and 8.0mm (US 11) knitting needles or sizes necessary to achieve gauge
- 4.0mm (US G) crochet hook or size necessary to achieve gauge
- cable needle
- 1 button (28mm/1.10")

Finished measurements:

- small:
 - chest 71cm/27.95"
 - cross back width 33cm/12.99"
 - back length 46cm/18.11"
 - sleeve length 30.5cm/12.01"
- large:
 - chest 79cm/31.10"
 - cross back width 37cm/14.57"
 - back length 50cm/19.69"
 - sleeve length 34.5cm/13.58"

Gauge (10cm/4" square):

- stockinette stitch • reverse stockinette stitch • pattern stitch: 12 sts and 15 rows
- garter stitch (hem/cuff/bow) with 7.0mm needles: 12 sts and 20 rows

Gauge may vary according to individual knitting style. Change needle size if necessary to achieve gauge. Alternatively, rework pattern with your own gauge measurements.

Summary

Back: Cast on with long-tail cast-on method. Work in garter stitch, then pattern stitch and reverse stockinette stitch (see schematic). Bind off. Pick up stitches along bind-off edge and work in pattern stitch. Form tucks in sections marked with ★, layering the fabric three times. Then pick up stitches from the tucked section (making sure to pick up through all 3 layers).

Front: Cast on with long-tail cast-on method. Work in garter st, then continue in pattern st and garter st. For right front only, work buttonholes in buttonband. Reverse shaping of right front for left front.

Sleeve (make 2): Cast on with long-tail cast-on method. Work in st st. Bind off.

Pocket (make 2): Cast on with long-tail cast-on method. Work in st st. Bind off.

Finishing: Seam shoulders with crochet slip stitch seam. Seam sleeves to body with crochet slip stitch seam, but graft gusset with Kitchener stitch. Seam sides and sleeves with mattress stitch (one seam per side of body/sleeve). Fold each cuff three times and seam with whipstitch in place. Seam pockets to front as shown in finishing schematic. Work 1 row of sc edging along front edges and neckline. Make bow and seam to upper back where marked with ☆.

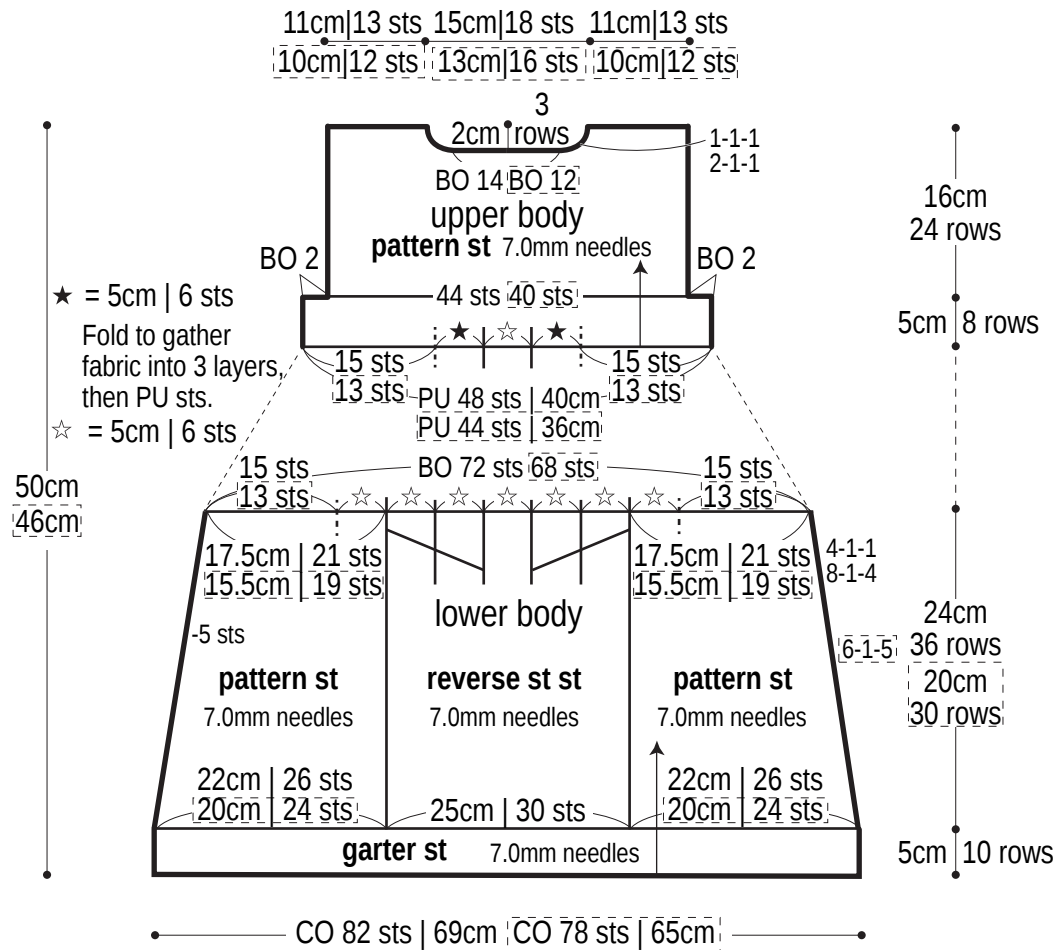
Abbreviations:

BO = bind off CO = cast on RE = row(s) even sc = single crochet (US) st st = stockinette stitch #-#-# = rows-stitches-times

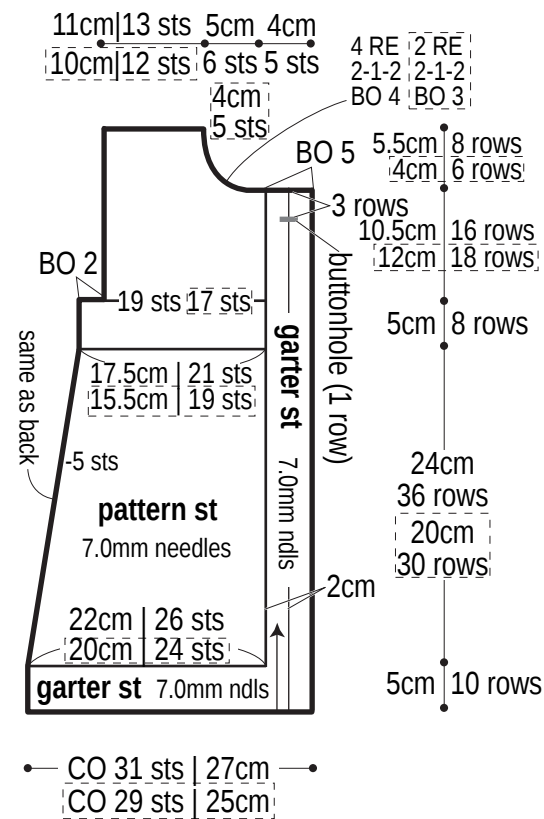
☐ = small size

※ Otherwise, instructions are for large or both sizes.

Back

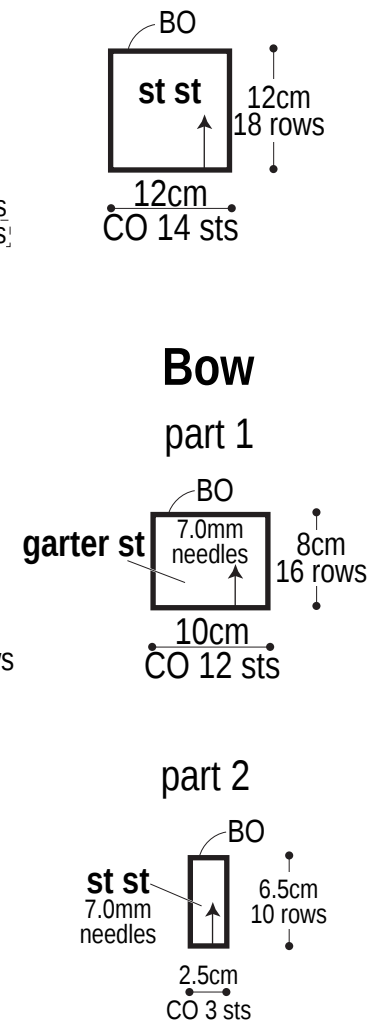


Right front



※ Reverse shaping for left front.

Pocket (make 2)



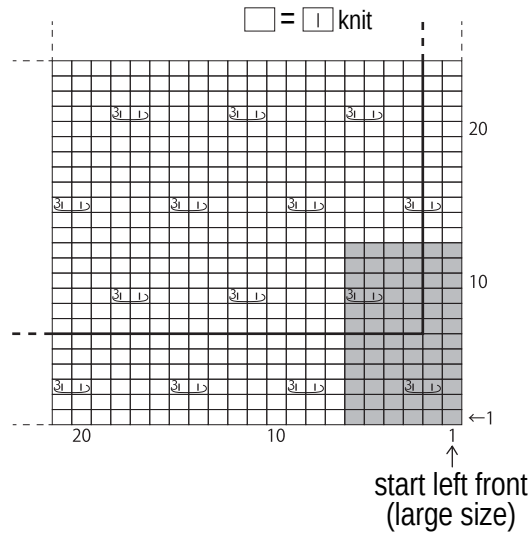
Pattern stitch

7.0mm needles

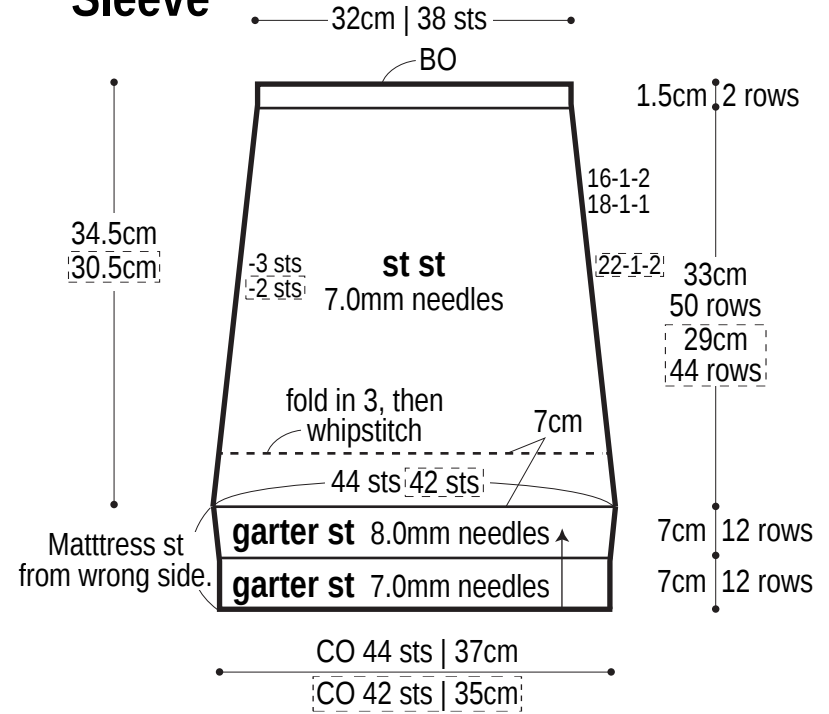
— = start left front (small size)

■ = 6-st, 12-row repeat

☐ = 3-wrap knot st



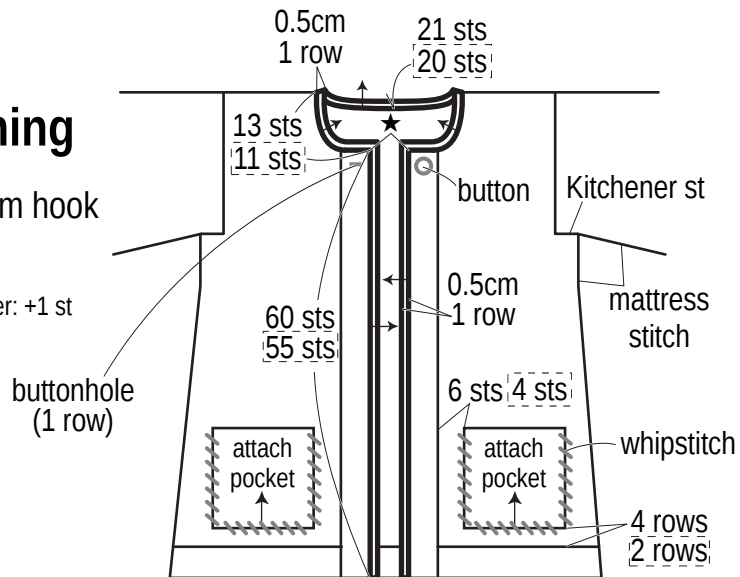
Sleeve



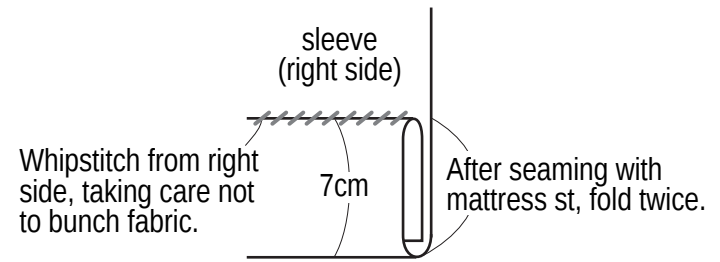
Finishing

sc 4.0mm hook

★ = corner: +1 st

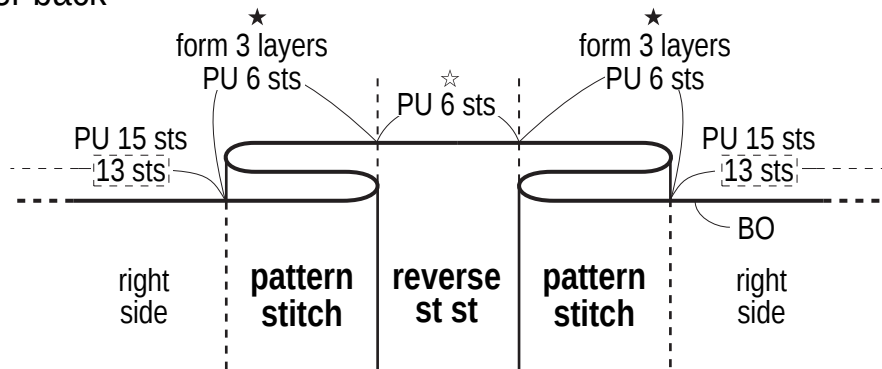


Cuff cross-section

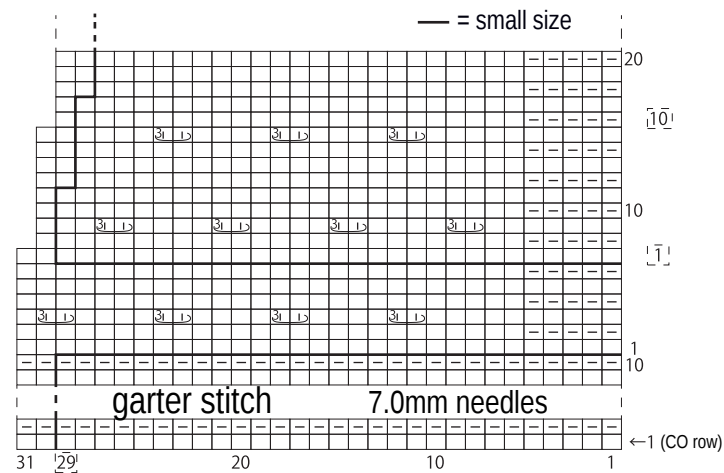


How to form gathers

lower back



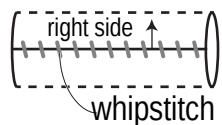
Right front cast-on



Bow

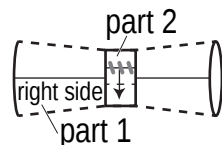
[back side]

Form part 1 into a tube with right side facing out. Whipstitch to form tube.

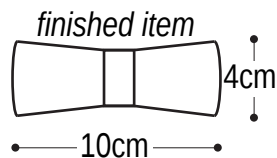


[back side]

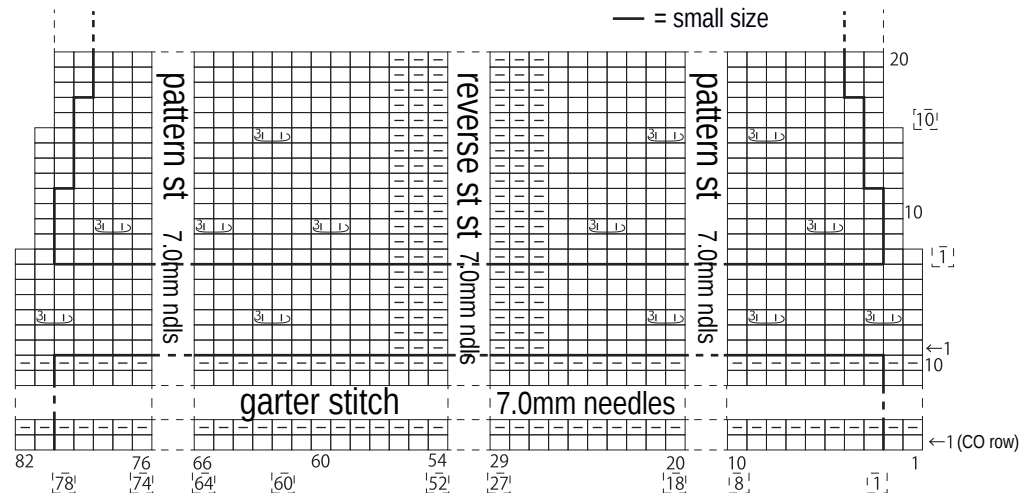
Wrap part 2 around part 1 at center. Overlap by 1 cm and whipstitch part 2.



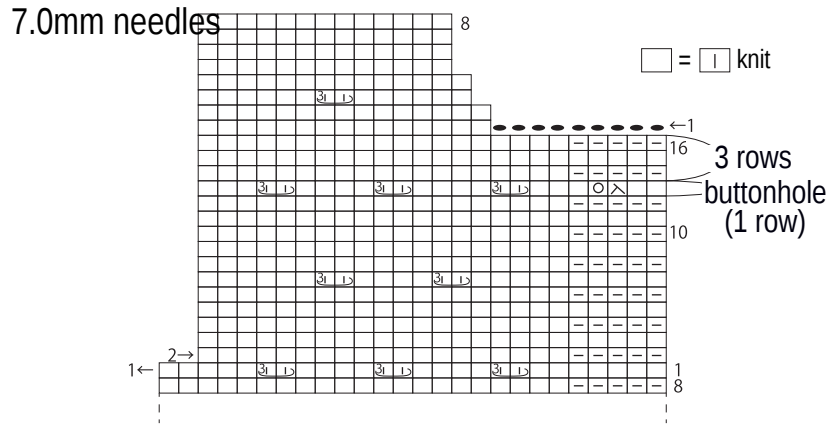
[front side]



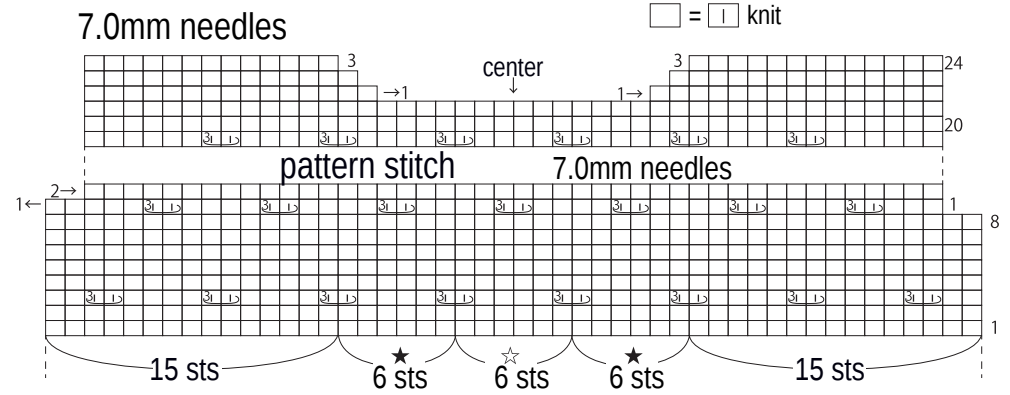
Lower back cast-on



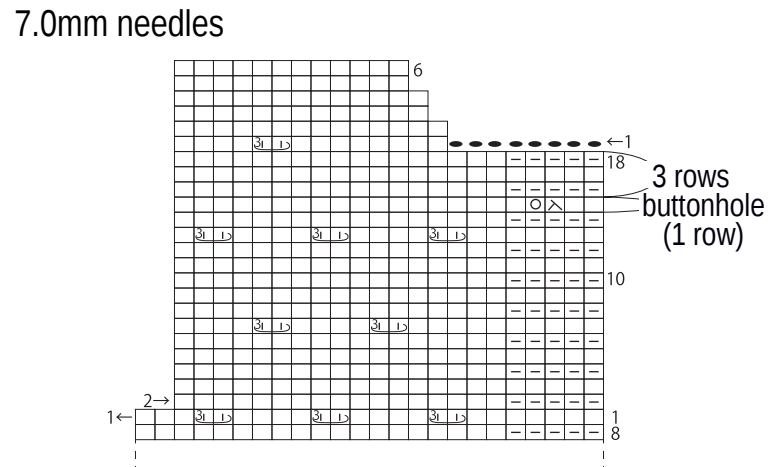
Right front neckline: large size



Upper back: large size



Right front neckline: small size



Upper back: small size

