

# 217aw-16 Kid's Hana Herringbone



## Suggested yarn:

- Pierrot Yarns Hana Merino [100% merino wool; 104 yds/95m per 1.41 oz./40g skein];
  - small:
    - color #05 Soft Yellow, 5 skeins [195g]
    - color #10 Charcoal Gray, 3 skeins [110g]
  - large:
    - color #05 Soft Yellow, 6 skeins [210g]
    - color #10 Charcoal Gray, 3 skeins [120g]

## Tools/Notions:

- 3.6mm (approx. US 5) and 4.2mm (approx. US 6) knitting needles or sizes necessary to achieve gauge
- cable needle

## Finished measurements:

- small:
  - chest 72cm/28.35"
  - center back neck-to-cuff 54.5cm/21.46"
  - back length 42cm/16.54"
- large:
  - chest 76cm/29.92"
  - center back neck-to-cuff 57cm/22.44"
  - back length 46cm/18.11"

## Gauge (10cm/4" square):

- stockinette stitch: 21 sts and 29 rows
- pattern stitch: 29 sts and 29 rows

*Gauge may vary according to individual knitting style. Change needle size if necessary to achieve gauge. Alternatively, rework pattern with your own gauge measurements.*

## Summary

**Back & front:** Cast on with long-tail cast-on method. Work in k1p1 ribbing, then continue in pattern stitch. Shape raglan seam by working fully fashioned decreases (1 stitch in from the edge).

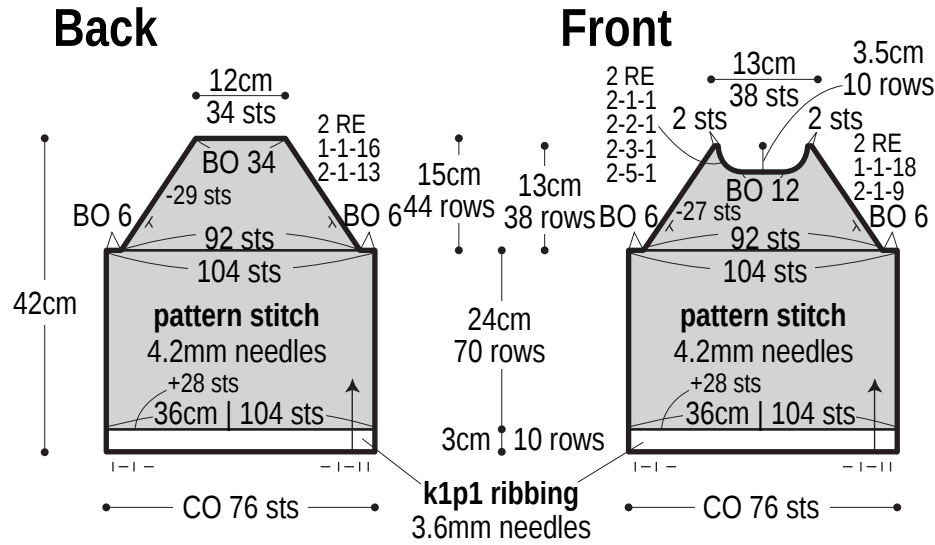
**Sleeve (make 2):** Cast on with long-tail cast-on method. Work in k1p1 ribbing, then continue in st st. Shape raglan seam by working fully fashioned decreases (1 stitch in from the edge).

**Finishing:** Seam raglan edges with mattress stitch. Seam underarm gusset with Kitchener stitch. Seam sleeve and side with one continuous mattress stitch seam (1 per side of garment). Pick up stitches around neckline; work collar in k1p1 ribbing in the round. Bind off in pattern.

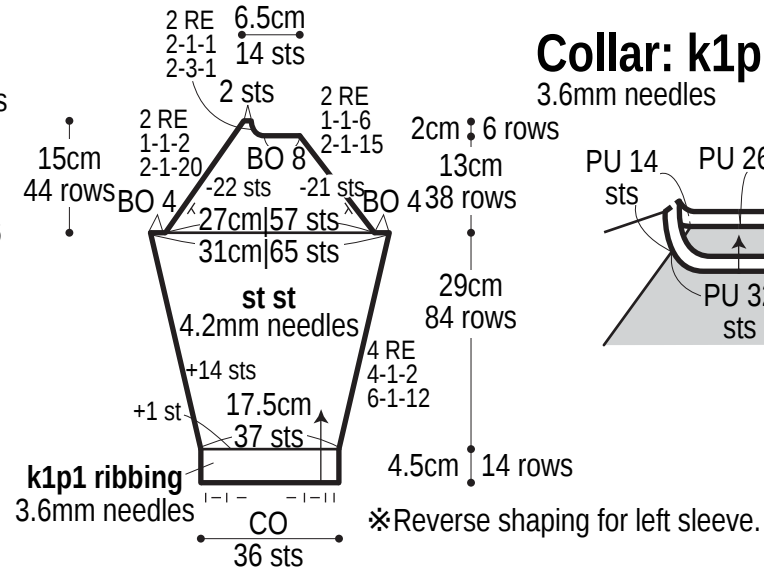
## Abbreviations:

BO = bind off    CO = cast on    k = knit    p = purl    PU = pick up    RE = row(s) even    st st = stockinette stitch    #-#-# = rows-stitches-times

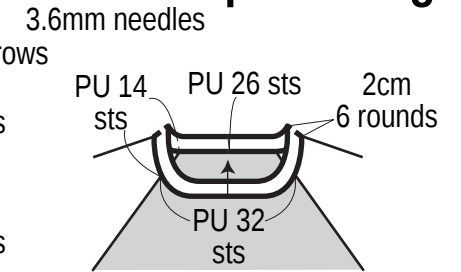
# SMALL



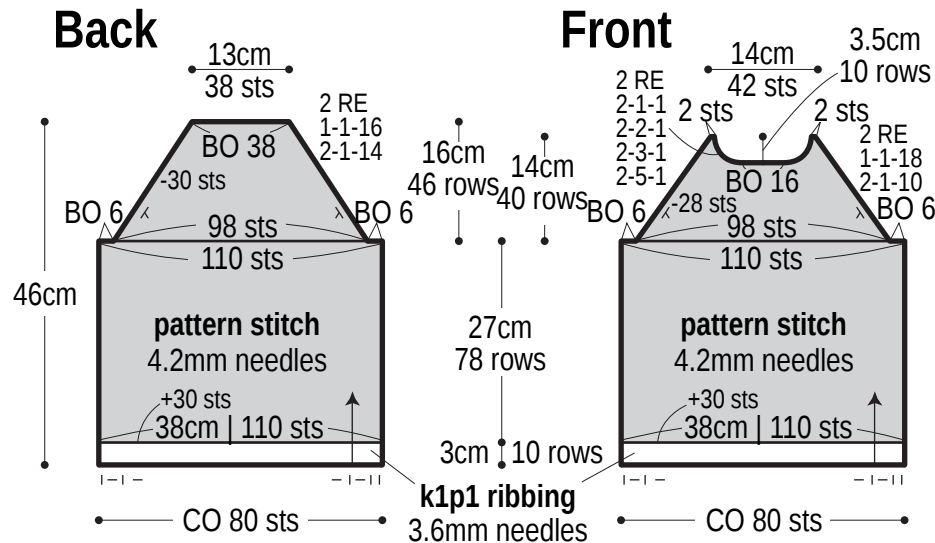
# Right sleeve



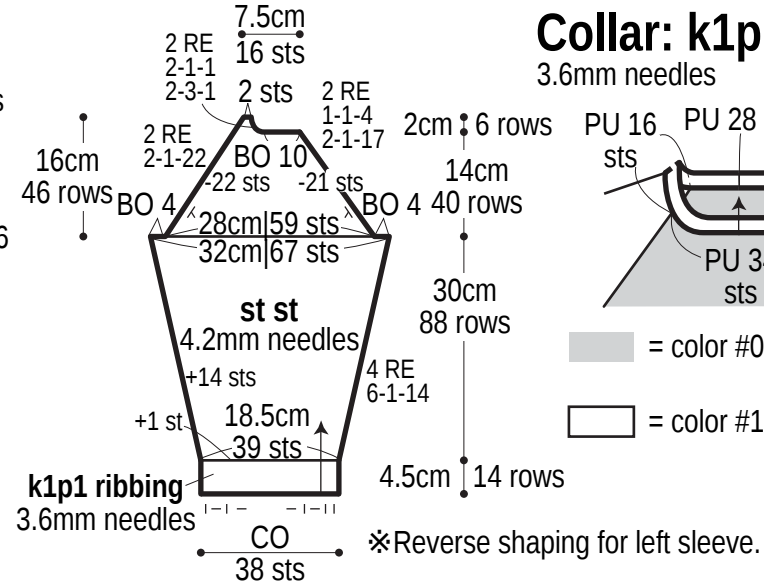
# Collar: k1p1 ribbing



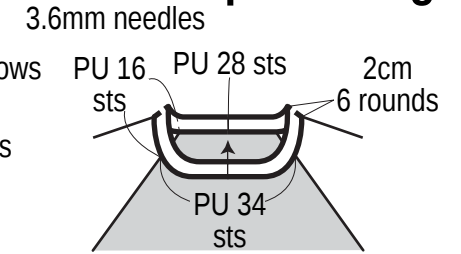
# LARGE



# Right sleeve

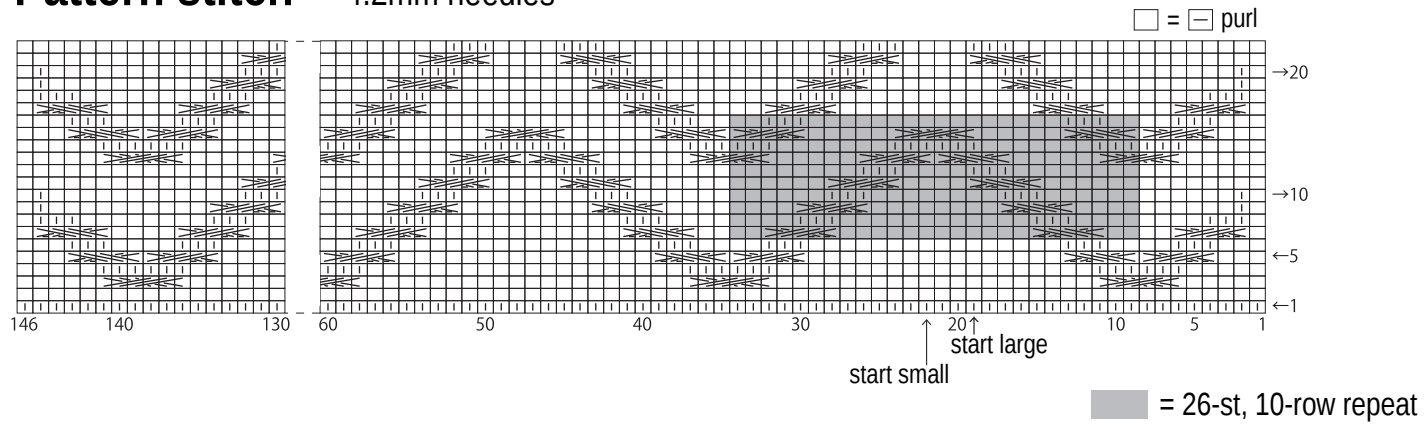


# Collar: k1p1 ribbing




■ = color #05 soft yellow  
 □ = color #10 charcoal gray

# Pattern stitch 4.2mm needles



 = C6B

(Slip 3 sts to cable needle & hold in back. k3, k3 from cable needle.)

 = C5F

(Slip 3 sts to cable needle & hold in front. p2, k3 from cable needle.)

 = C5B

(Slip 2 sts to cable needle & hold in back. k3, p2 from cable needle.)