

612cl 2-way Clutch



Suggested yarn:

- Pierrot Yarns Amian [100% Japanese paper (cellulose); 94 yds/86m per 1.41 oz./40g skein];
 - color #21 ivory, 3 skeins [90g]
- Pierrot Yarns Amian Space Dyed [100% Japanese paper (cellulose); 94 yds/86m per 1.41 oz./40g skein];
 - color #03 green/yellow/beige, 1 skein [35g]

Tools/Notions:

- 3.5mm (US E) crochet hook or size necessary to achieve gauge
- zipper (35cm/13.78" long)
- sewing thread
- sewing needle

Finished measurements:

- height 26cm/10.24"
- width 36cm/14.17"

Gauge (10cm/4" square):

- pattern stitch A & B: 19 sts and 10.5 rows

Gauge may vary according to individual crochet style. Change hook size if necessary to achieve gauge. Alternatively, rework pattern with your own gauge measurements.

Summary

***Note:** Like all Japanese patterns, stitch counts given here for foundation chains do not include any chain sts needed for turning posts.

Body of bag (make 2): For each piece, work foundation chain to begin. Work in pattern stitches A & B. Work edging using yarn indicated for piece 1 or piece 2 (see schematic).

Finishing: With wrong sides facing each other, seam the two body pieces together around edges with whipstitch, leaving mouth of bag unseamed. Insert zipper using half backstitch.

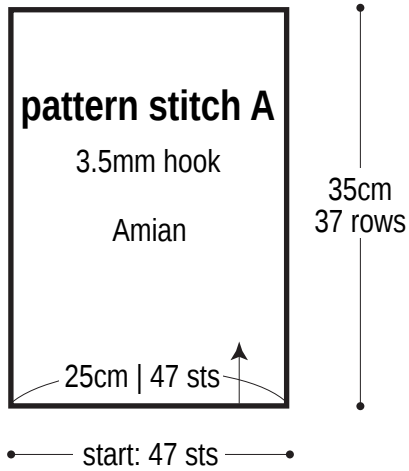
Abbreviations:

ch = chain

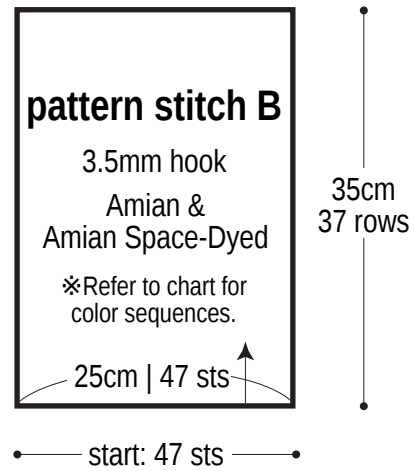
fp dc = front post double crochet (US)

sc = single crochet (US)

Part 1

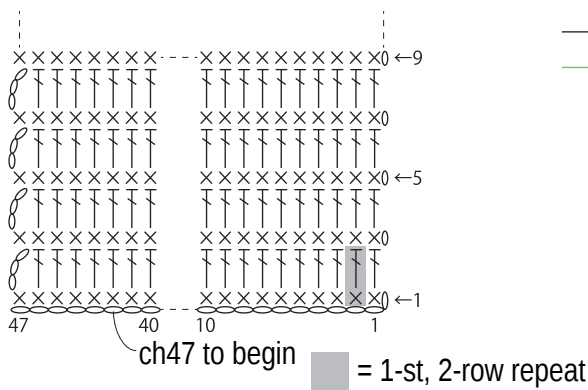


Part 2



Pattern stitch A

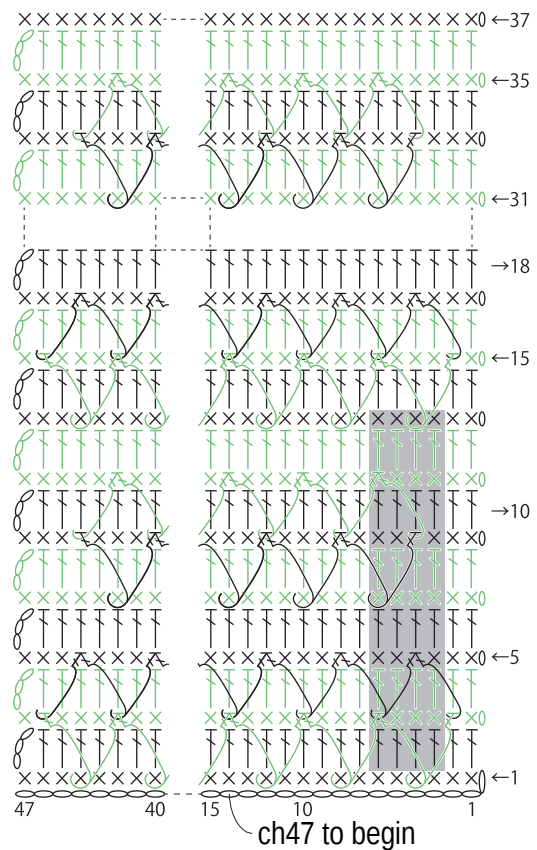
3.5mm hook
Amian, color #21



Pattern stitch B

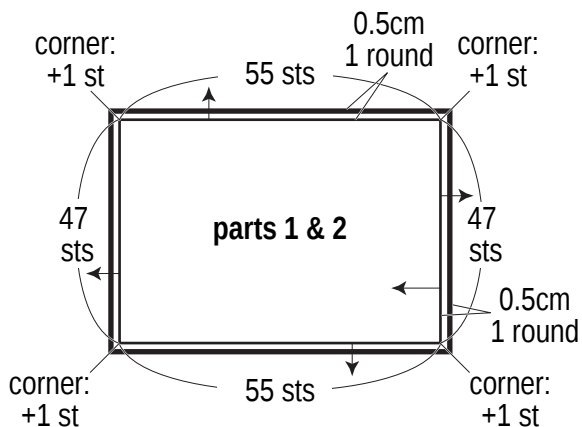
3.5mm hook
Amian, color #21
Amian Space-Dyed, color #03

— = Amian, color #21
— = Amian Space-Dyed, color #03
} = fp dc (Work post 2 rows below.)



Edging: sc

3.5mm hook
part 1: Amian, color #21
part 2: Amian Space-Dyed, color #03



Finishing

