

# tricot11-7 Foot Covers



## Suggested yarn:

- Keito-Zakka Stores Milka [66% cotton, 34% linen; 437 yds/400m per 3.53 oz./100g cone];
  - color #01 soda float, 1 cone [20g]

## Tools/Notions:

- 2.0mm (US steel hook #4) crochet hook or size necessary to achieve gauge

## Finished measurements:

- foot length 10cm/3.94"
- circumference 20cm/7.87"
- cord length 95cm/37.40"

## Gauge (10cm/4" square):

- pattern stitch: 32 sts and 12 rounds

*Gauge may vary according to individual crochet style. Change hook size if necessary to achieve gauge. Alternatively, rework pattern with your own gauge measurements.*

## Summary

❖ **Note 1:** Like all Japanese patterns, stitch counts given here for foundation chains do not include any chain sts needed for turning posts.

❖ **Note 2:** Work cords with 2 strands of yarn held together. Work everything else with 1 strand only.

**Foot covers:** ch10 to begin, then work in dc and pattern st in the round. Continue to edging.

**Finishing:** Crochet cords (with 2 strands of yarn held together). Thread through foot covers as indicated in schematic.

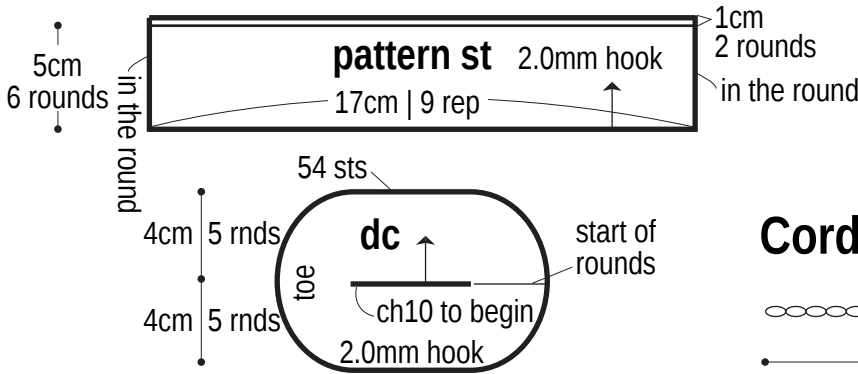
### Abbreviations:

ch = chain

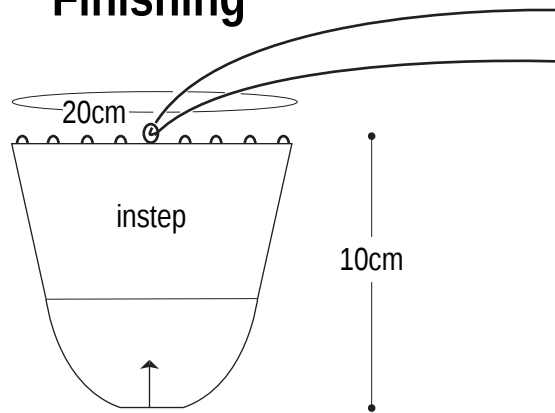
dc = double crochet (US)

rep = pattern repeat(s)

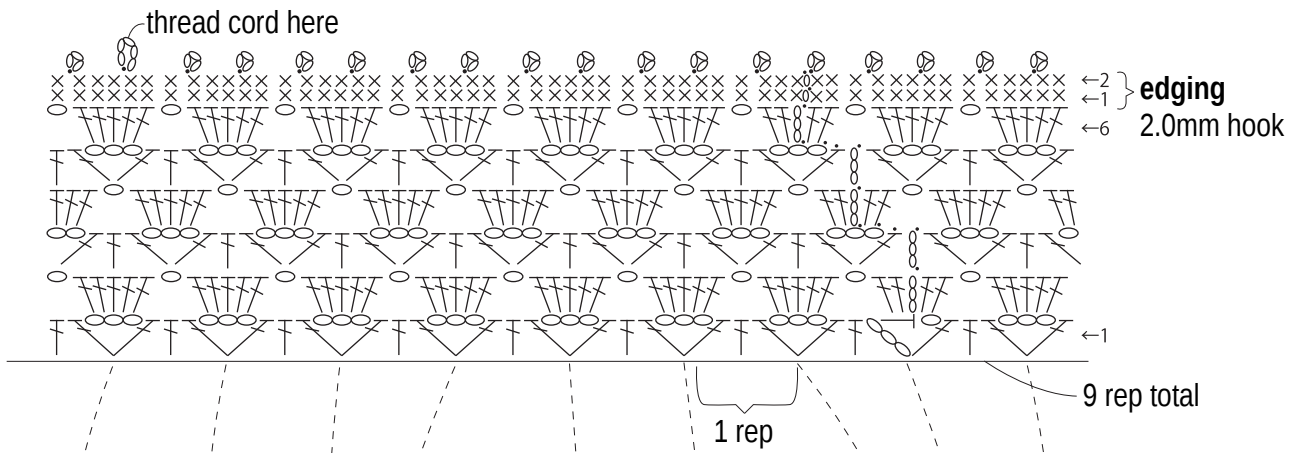
# Foot cover schematic (make 2)



## Finishing



## Foot cover chart 2.0mm hook



## Toe increases 2.0mm hook

| round no. | st count |
|-----------|----------|
| 5         | 54 (+8)  |
| 4         | 46 (+8)  |
| 3         | 38 (+8)  |
| 2         | 30 (+4)  |
| 1         | 26       |
|           | ch10     |

