

217s-07 Square Bag



Suggested yarn:

- Pierrot Yarns Miel [100% jute; 120 yds/110m per 3.88 oz./110g skein];
 - color #8 blue, 2 skeins [120g]
 - color #9 ice blue, 4 skeins [340g]

Tools/Notions:

- 4.0mm (US G) crochet hook or size necessary to achieve gauge

Finished measurements:

- width 41cm/16.14"
- depth 25.5cm/10.04"
- gusset width 8cm/3.15"

Gauge (10cm/4" square):

- pattern stitch: 19.5 sts and 16 rows
- single crochet (US): 16 sts and 17.5 rows

Gauge may vary according to individual crochet style. Change hook size if necessary to achieve gauge. Alternatively, rework pattern with your own gauge measurements.

Summary

✳️Note: Like all Japanese patterns, stitch counts given here for foundation chains do not include any chain sts needed for turning posts.

Part A (make 2): With color #9, work foundation chain to begin, then work in pattern stitch. Work handle as integrated part of this piece.

Part B (make 2): With color #8, work foundation chain to begin, then work bottom/side piece in sc. In places indicated on schematic, work 1 row of sc tbl. Work edging after final row. Work second half of part B by working into foundation chain and working in the opposite direction (see schematic).

Part C (make 2): With color #8, work foundation chain to begin, then work in sc.

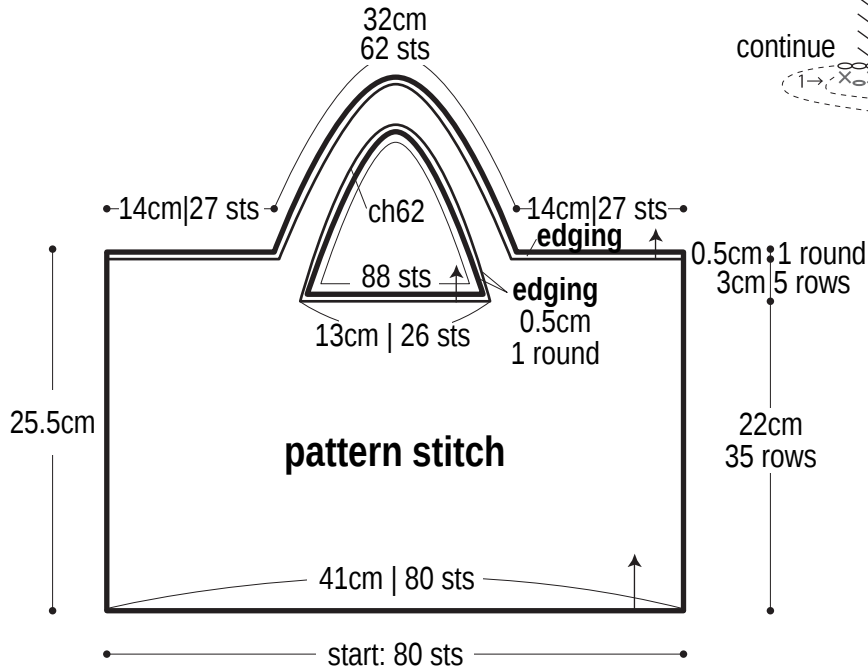
Finishing: Seam parts A and B together with wrong sides facing each other. Wrap part C around the handle of part A and whipstitch in place.

Abbreviations:

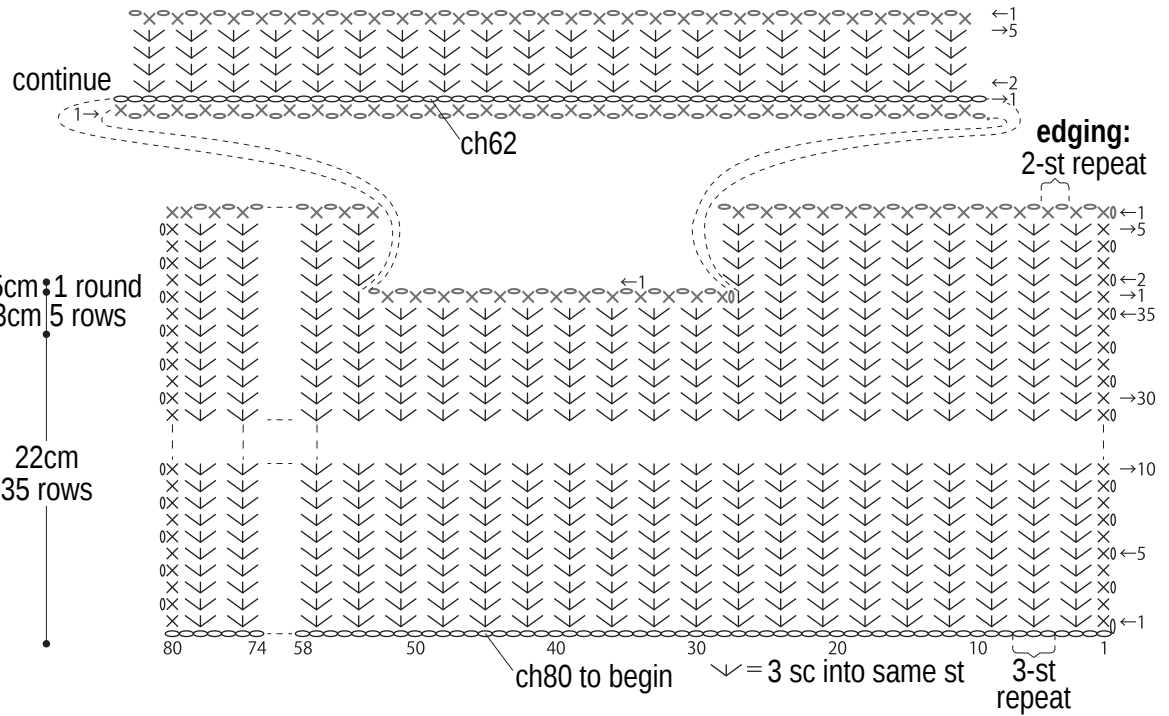
ch = chain sc = single crochet (US) sc tbl = single crochet through back loop only (US)

Part A (make 2)

4.0mm hook, color #9 ice blue

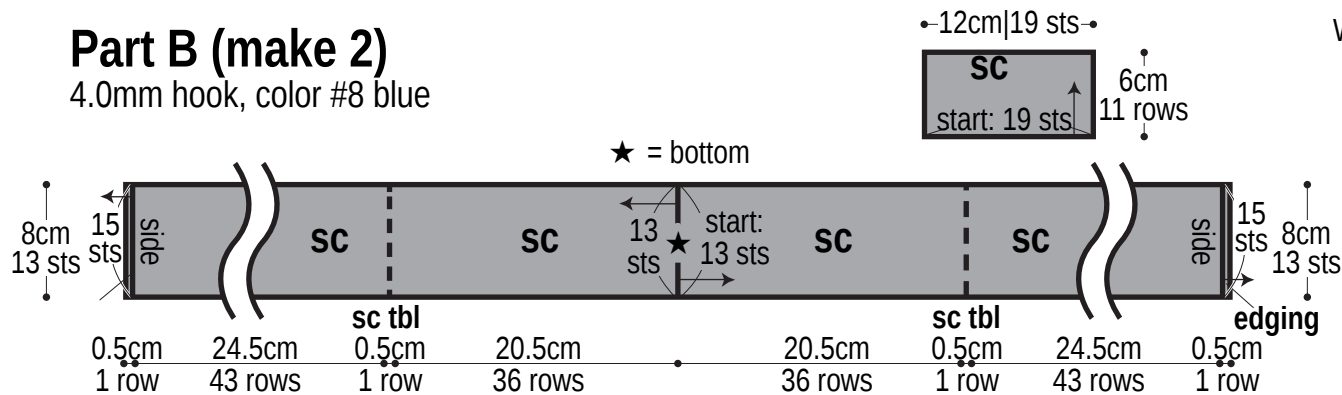


Part A (make 2) 4.0mm hook, color #9 ice blue



Part B (make 2)

4.0mm hook, color #8 blue



Finishing

Wrap around handle and whipstitch.

