

217ss-08 One-piece Dress



Suggested yarn:

- Pierrot Yarns Orgabits One [100% cotton; 142 yds/130m per 1.41 oz./40g skein];
 - large:
 - color #04 powder blue, 6 skeins [220g]
 - color #15 natural, 2 skeins [50g]
 - small:
 - color #04 ice blue, 5 skeins [200g]
 - color #15 natural, 2 skeins [45g]

Tools/Notions:

- 3.3mm (approx. US 4) and 3.6mm (approx. US 5) knitting needles or size necessary to achieve gauge
- 2.5mm (approx. US B or C) crochet hook or size necessary to achieve gauge

Finished measurements:

- large:
 - chest 74cm/29.13"
 - cross back width 26cm/10.24"
 - back length 57cm/22.44"
- small:
 - chest 68cm/26.77"
 - cross back width 23.5cm/9.25"
 - back length 54cm/21.26"

Gauge (10cm/4" square):

- stockinette stitch: 24 sts and 32 rows
- pattern stitch: 26 sts and 30 rows

Gauge may vary according to individual knitting style. Change needle size if necessary to achieve gauge. Alternatively, rework pattern with your own gauge measurements.

Summary

Body (make 2): Cast on with long-tail cast-on method. Work from hem upward in pattern stitch. On last row of skirt section, work decreases as indicated. Continue to bodice section, working in stockinette stitch.

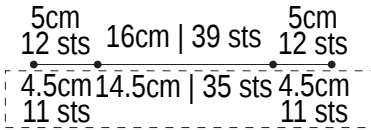
Sleeve ruffle (make 2): Begin as for body. BO after 12 rows. Work 1 row of sc along cast-on edge. Form gathers in ruffle using running stitch.

Finishing: Seam shoulders with crochet slip stitch seam. Attach ruffles to armholes using crochet slip stitch seam. Seam sides with mattress stitch. Work 1 round of sc along hem edge. Work 1 row of sc along each armhole (not including ruffle). With knitting needles, pick up stitches around neckline; work collar in garter stitch in the round.

Abbreviations:

BO = bind off CO = cast on PU = pick up RE = row(s) even rep = pattern repeat(s) sc = single crochet (US) st st = stockinette stitch
#-#-# = rows-stitches-times

Back

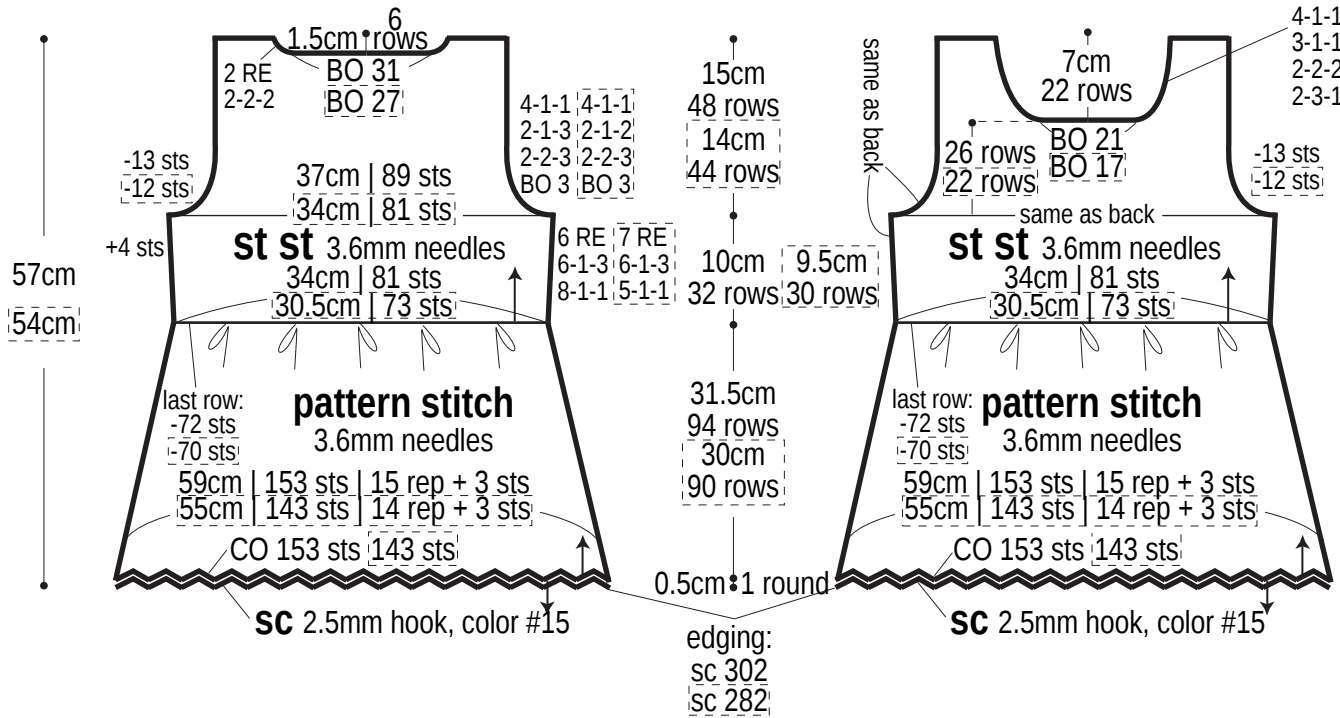


Front



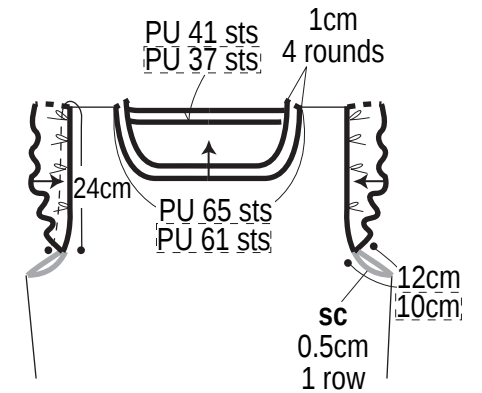
[---] = small size

*Elsewhere, instructions refer to both sizes.



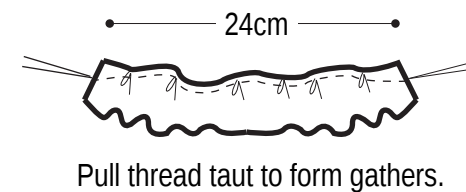
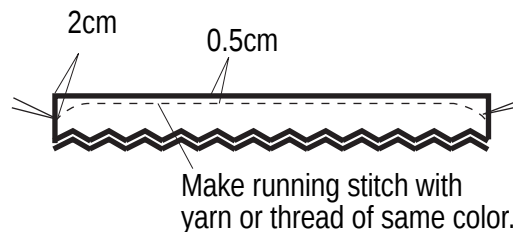
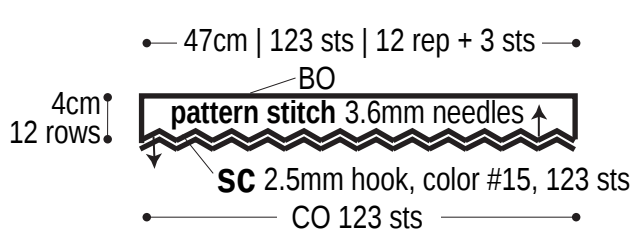
Finishing

collar: garter st
3.3mm needles



*Sew ruffles to armholes with crochet slip stitch seam and wrong sides facing each other.

Sleeve ruffle (make 2) pattern stitch, 3.6mm needles



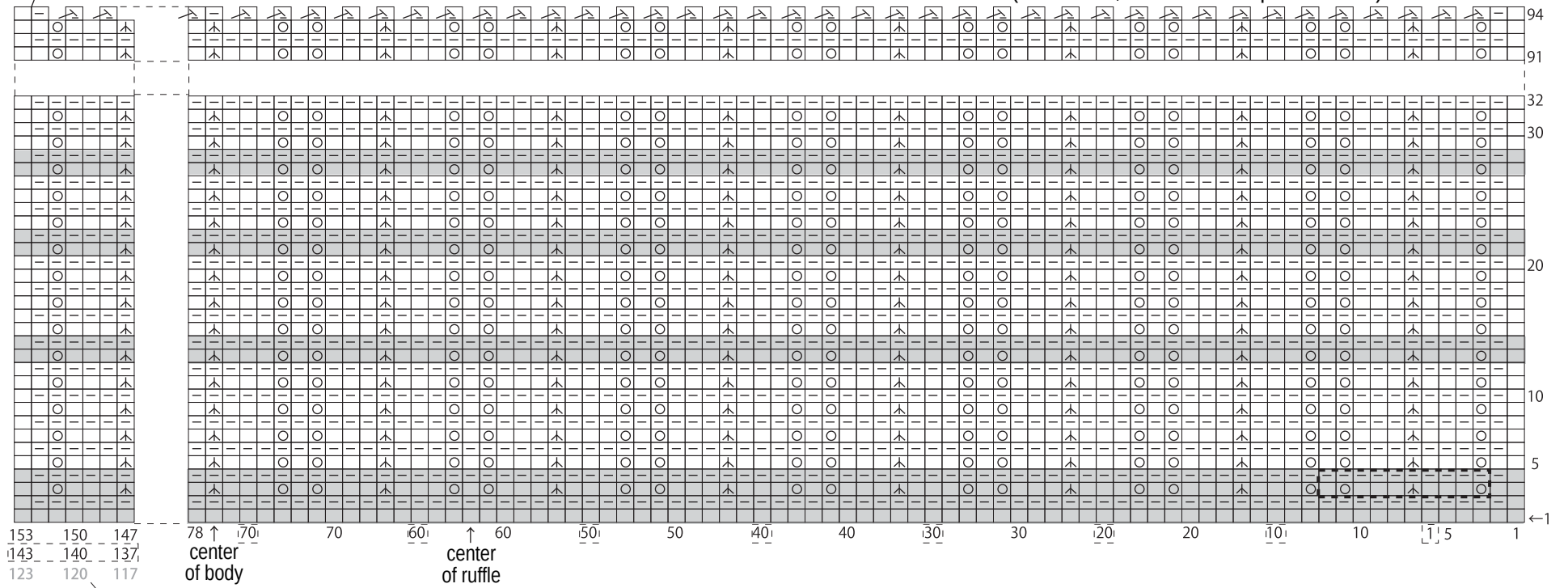
Pull thread taut to form gathers.

Pattern stitch (skirt section) 3.6mm needles

***For small, CO 143 sts and work 90 rows.**

■ = color #15 natural (elsewhere, use color #04 powder blue) □ = □ knit

☐ = small size



153 150 147
143 140 137
123 120 117

ruffle

78 ↑ 70
center of body

60 ↑ 60
center of ruffle

☐☐☐☐☐ = 10-st, 2=row repeat

☐ = small size

***Ruffle (make 2):** CO 123 and work for 12 rows.

*Elsewhere, instructions refer to both sizes.