

217ss-07 Girls' Openwork Raglan



Suggested yarn:

- Pierrot Yarns Sawayaka Cotton [100% cotton; 416 yds/380m per 3.53 oz./100g cone]; color #24 yellow, 2 cones [140g]

Tools/Notions:

- 3.0mm (US 3) and 3.3mm (approx. US 4) knitting needles or sizes necessary to achieve gauge
- 2.3mm (approx. US B) crochet hook or size necessary to achieve gauge

Finished measurements:

- chest 72cm/28.35"
- center back neck-to-cuff 29.5cm/11.61"
- back length 38cm/14.96"

Gauge (10cm/4" square):

- stockinette stitch: 29 sts and 36 rows
- twisted k1p1 ribbing: 31 sts and 36 rows
- pattern stitch: 27 sts and 10 rows

Gauge may vary according to individual knitting style. Change needle size if necessary to achieve gauge. Alternatively, rework pattern with your own gauge measurements.

Summary

Body: Cast on with long-tail cast-on method. Work in twisted k1p1 ribbing and st st. Shape raglan edges using fully fashioned decreases (1 st in from the edge).

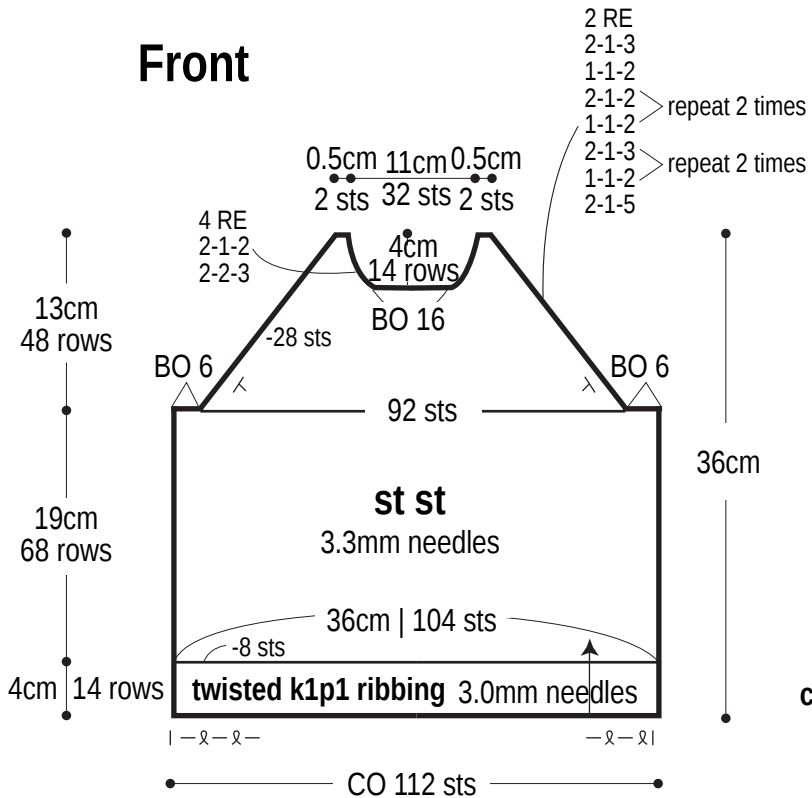
Sleeves: Crochet foundation chain to begin, then work in pattern stitch. With knitting needles, pick up stitches around cuff edge; work twisted k1p1 ribbing. Bind off in pattern.

Finishing: Refer to finishing schematic for instructions on seaming sleeves (to body), sleeve undersides, and sides of garment. Pick up stitches around neckline; work twisted k1p1 ribbing. Bind off in pattern.

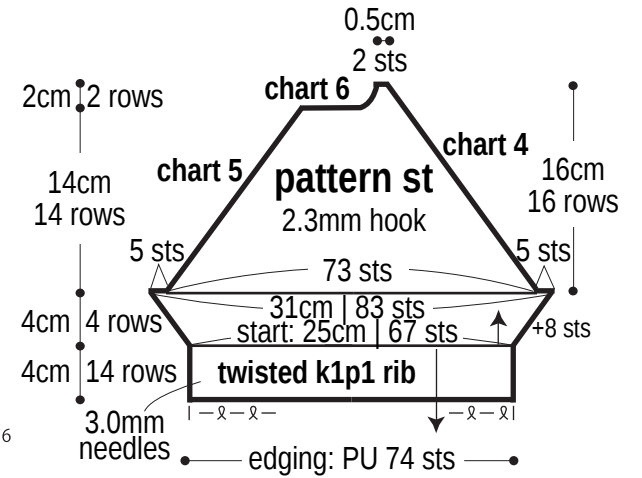
Abbreviations:

BO = bind off ch = chain st CO = cast on k = knit p = purl PU = pick up RE = row(s) even st st = stockinette stitch #-#-# = rows-stitches-times

Front

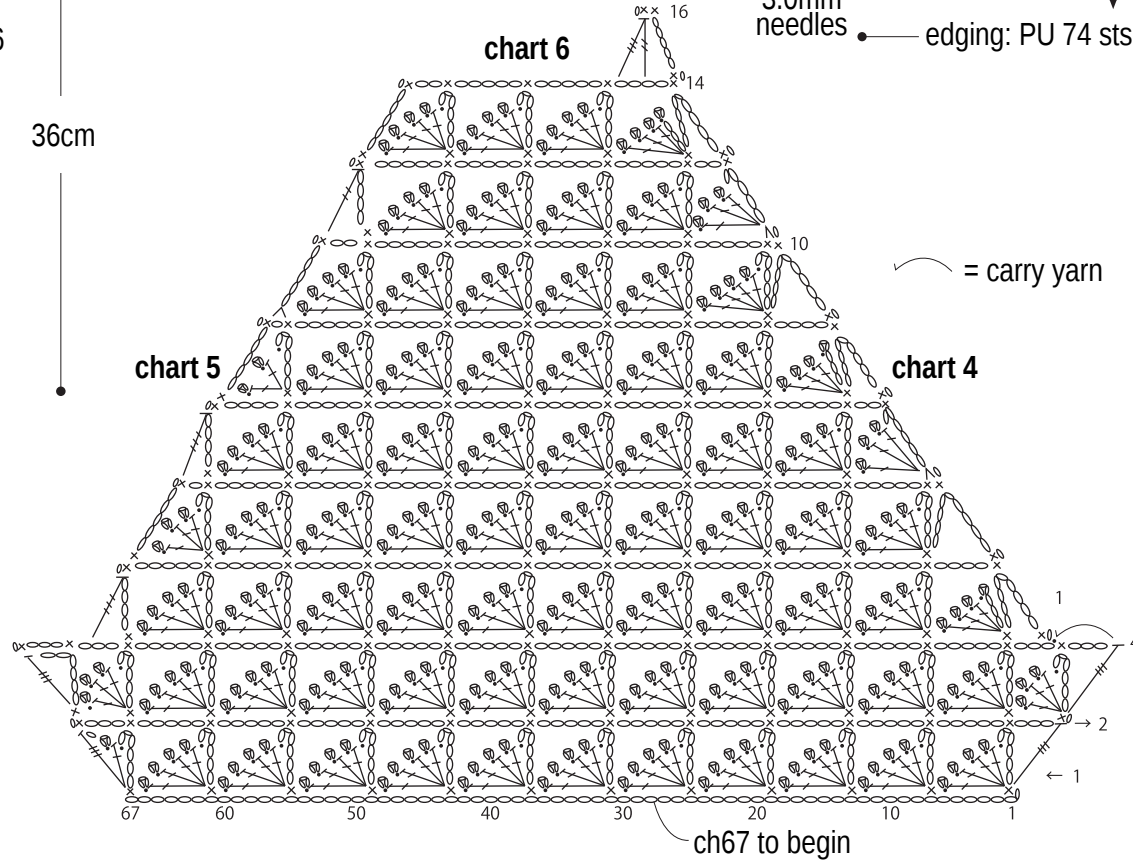


Left sleeve

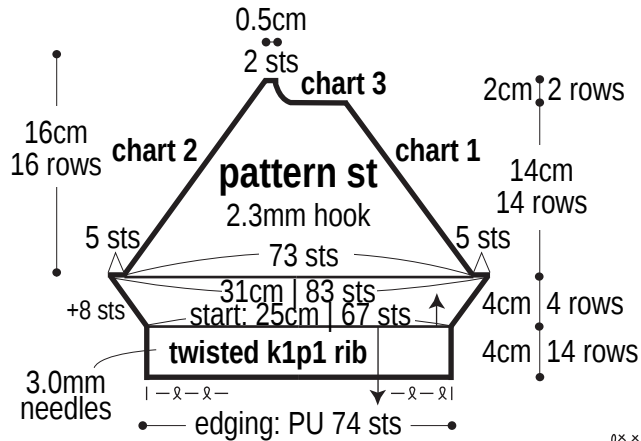


Left sleeve

2.3mm hook

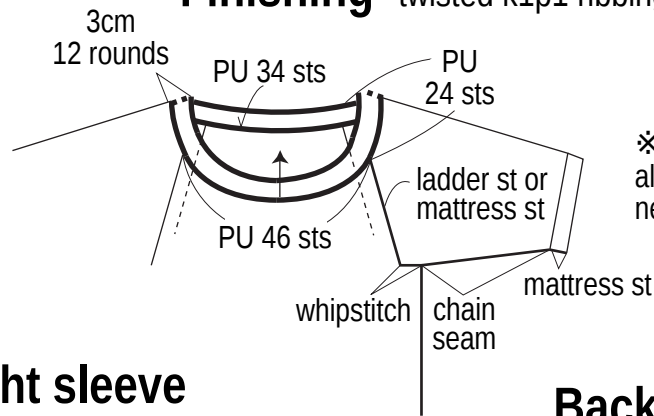


Right sleeve



Finishing

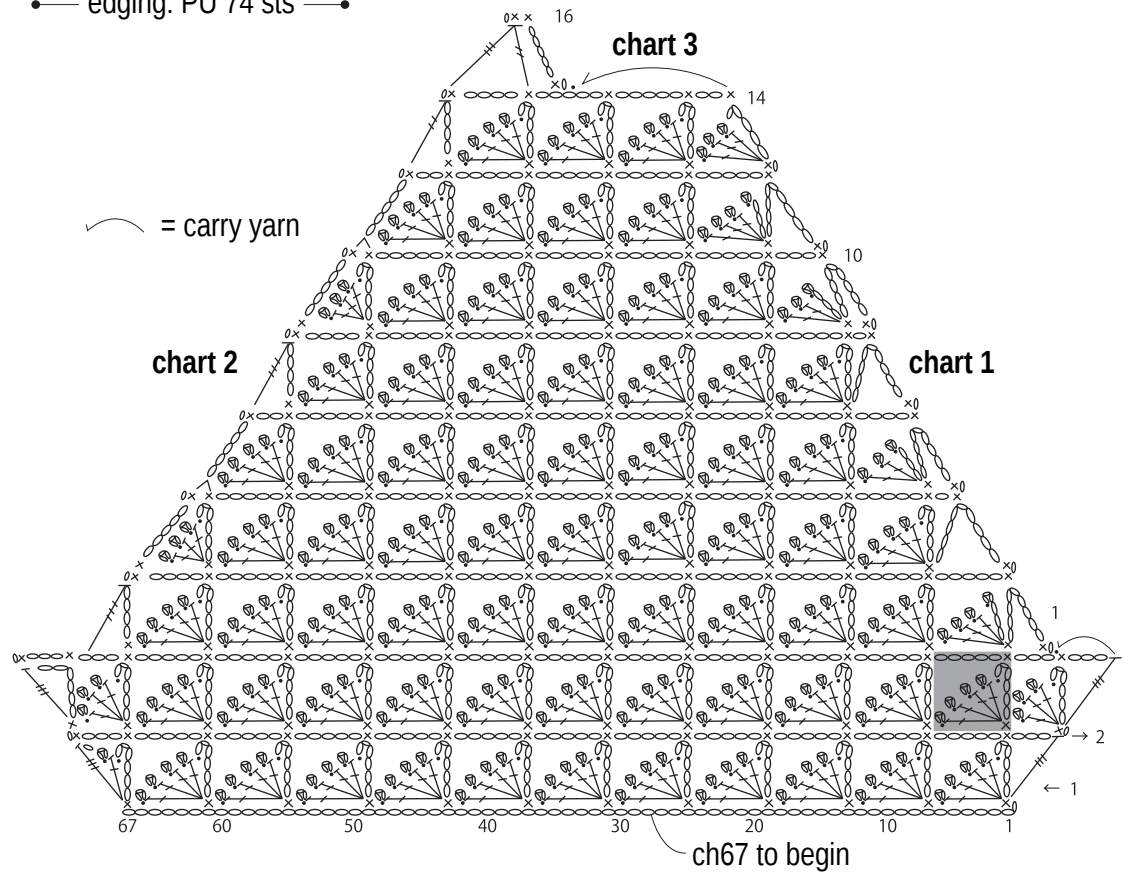
twisted k1p1 ribbing, 3.0mm needles



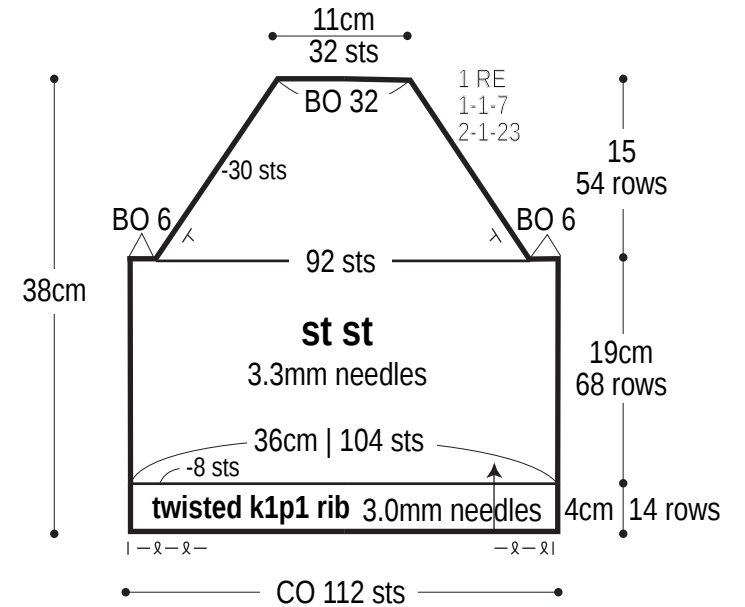
*chain seam = with crochet hook, alternating chain st and slip st as needed to maintain pattern

Right sleeve

2.3mm hook



Back



■ = 1 repeat = 6 sts & 2 rows