

217ss-17 Motif Basket



Suggested yarn:

- Pierrot Yarns Heat+ [100% polyester; 113 yds/103m per 1.41 oz./40g cone]; color #14 ecrubeige, 2 cones [45g]

Tools/Notions:

- 2.3mm (approx. US B) crochet hook or size necessary to achieve gauge
- 2.5mm (approx. US B or C) crochet hook or size necessary to achieve gauge
- 3.0mm (approx. US C or D) crochet hook or size necessary to achieve gauge

Finished measurements:

- diameter before steam blocking: 40cm/15.75"
- diameter after steam blocking: 36cm/14.17"

Gauge (10cm/4" square):

- No gauge information is provided in the original pattern. Use hook size necessary to achieve measurements shown in charts.

Gauge may vary according to individual crochet style. Change hook size if necessary to achieve gauge. Alternatively, rework pattern with your own gauge measurements.

Summary

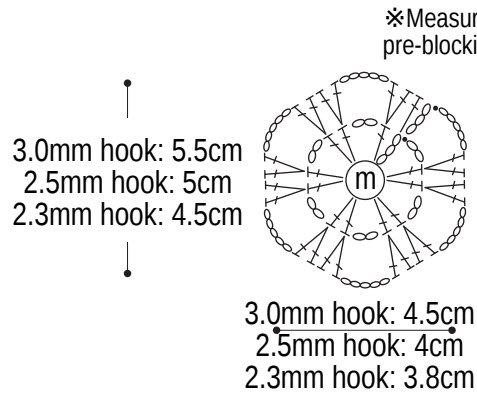
Body of basket: Work magic ring to begin, then work first motif. Starting with second motif, join together on last round. Refer to schematic for details on how to join pentagonal and hexagonal motifs. Note: once the first 7 motifs are finished, lightly iron them before continuing.

Finishing: Work 1 round of edging. Place basket over bowl or something similar in shape (24cm/9.5" outer diameter), then block into shape using steam iron.

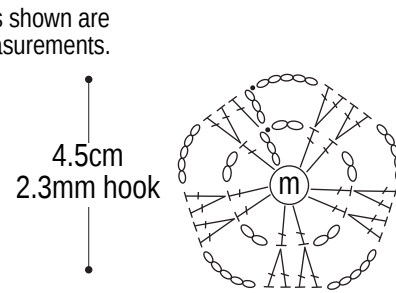
Abbreviations:

m = magic ring/circle

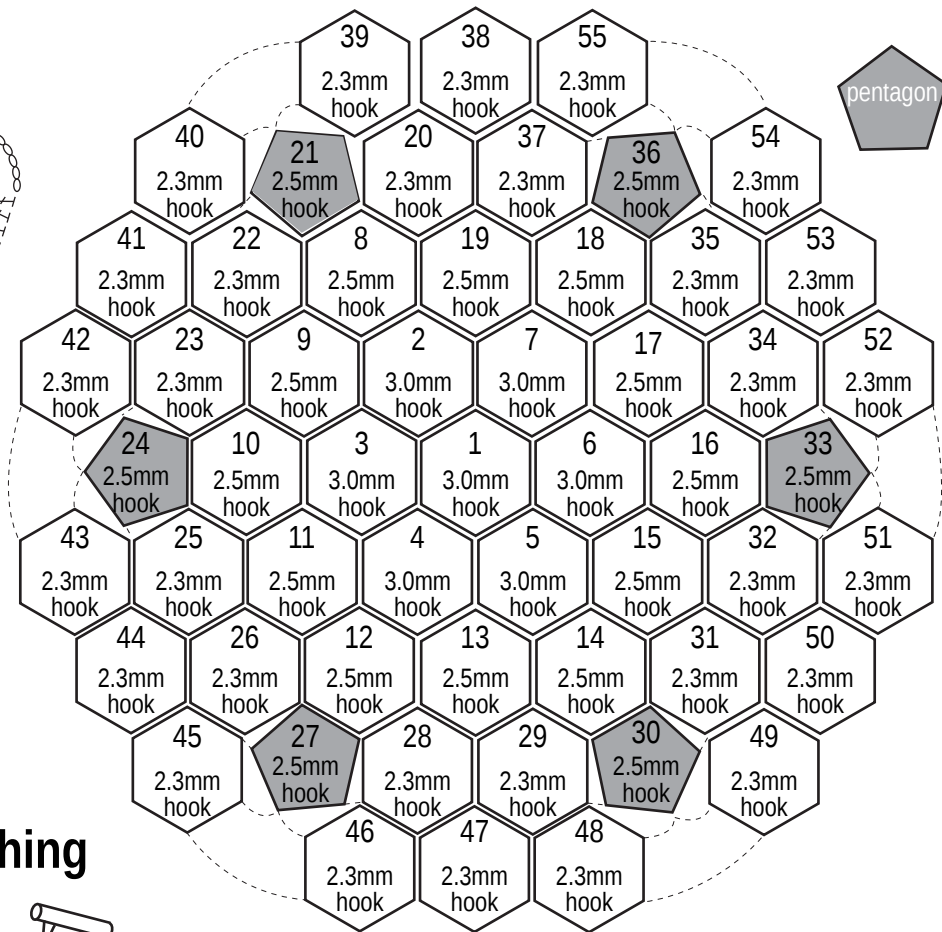
Hexagon motif



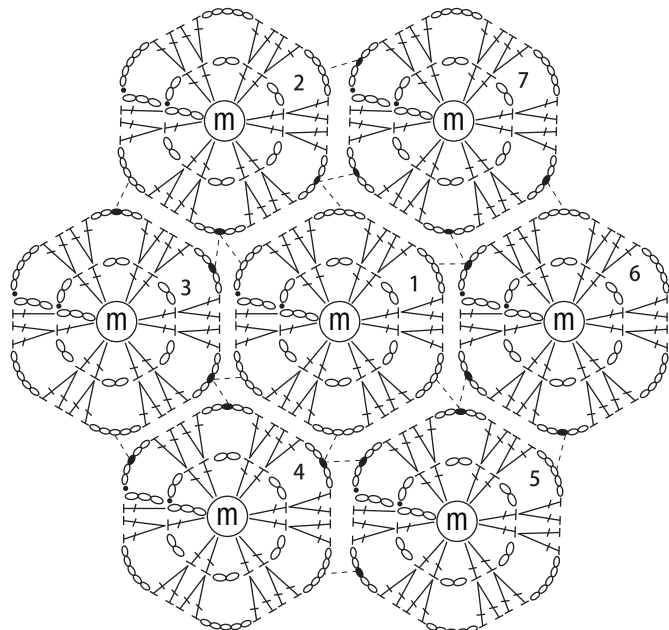
Pentagon motif



Motif layout & hook size

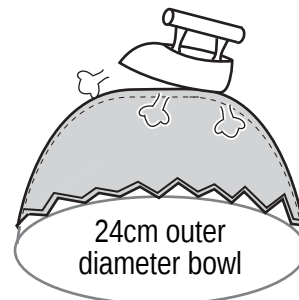


How to join motifs



※At locations marked with -, slip stitch to adjacent motif.

Finishing



※Place basket over bowl (or similar shape); steam thoroughly with iron.

Edging 2.5mm hook

