

# 217ss-17 Cutlery Case



## Suggested yarn:

- Pierrot Yarns Heat+ [100% polyester; 113 yds/103m per 1.41 oz./40g cone]; color #14 ecrubeige, 2 cones [45g]

## Tools/Notions:

- 3.0mm (approx. US C or D) crochet hook or size necessary to achieve gauge

## Finished measurements:

- length 26cm/10.24"
- height 4.5cm/1.77"
- width 7cm/2.76"

## Gauge (10cm/4" square):

- double crochet stitch (US): 26 sts and 14.5 rows
- pattern stitch: 26.5 sts and 18 rows

*Gauge may vary according to individual crochet style. Change hook size if necessary to achieve gauge. Alternatively, rework pattern with your own gauge measurements.*

## Summary

✳️**Note:** Like all Japanese patterns, stitch counts given here for foundation chains do not include any chain sts needed for turning posts.

**Bottom:** Work foundation chain to begin, then work in dc.

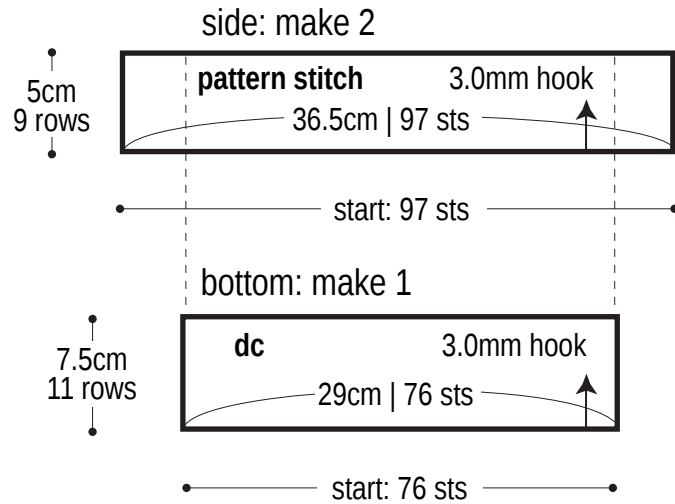
**Side (make 2):** Work foundation chain to begin, then work in pattern stitch.

**Finishing:** Lightly iron wrong side of bottom and side pieces. Seam both short ends of side pieces together with whipstitch. Seam sides to bottom with whipstitch. Crochet 2 handles and fasten to case with whipstitch. Block thoroughly with steam iron to stated measurements.

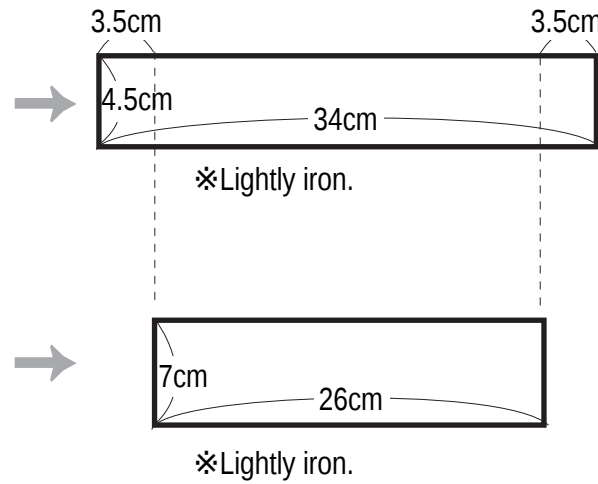
## Abbreviations:

ch = chain      dc = double crochet (US)

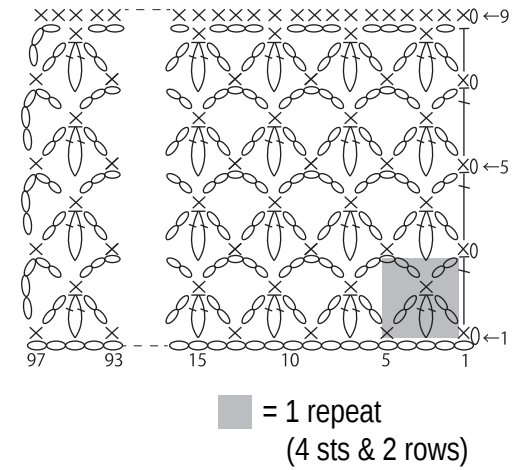
## Before ironing



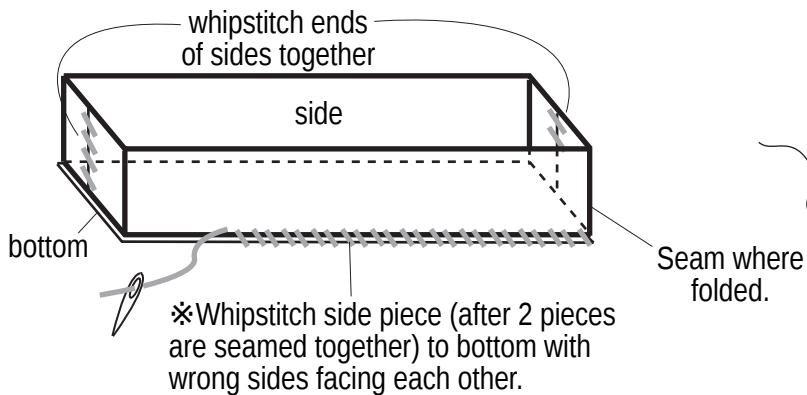
## After ironing



## Pattern stitch 3.0mm hook

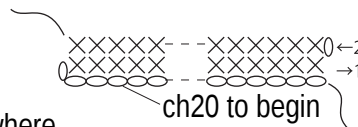


## Finishing

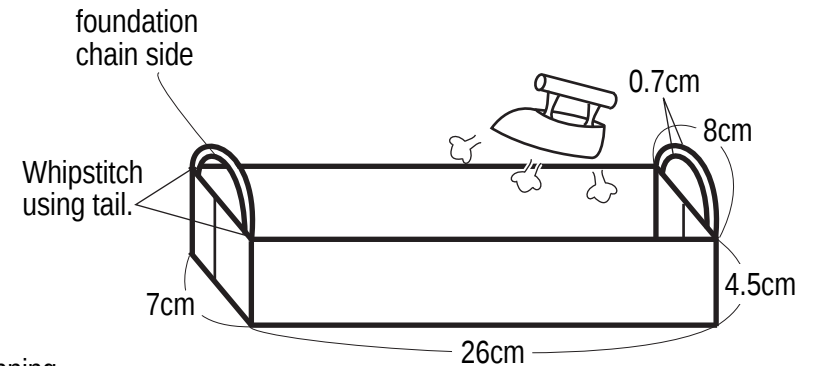


## Handle (make 2)

3.0mm hook



Leave 15cm tail at beginning and when binding off.



Final measurements may vary depending on how much you steam block the item.