

# 25-5 Drop-stitch Sweater



## Suggested yarn:

- Pierrot Yarns Ethnic Denim 2 [100% cotton; 118 yds/108m per 1.06 oz./30g skein];
  - color #01 off-white, 2 skeins [40g]
  - color #02 peach, 10 skeins [275g]

## Tools/Notions:

- 2.5mm (approx. US B or C) crochet hook or size necessary to achieve gauge
- 5 buttons (15mm/0.59")

## Finished measurements:

- chest 76.5cm/30.12"
- cross back width 29cm/11.42"
- back length 42.5cm/16.73"
- sleeve length 40cm/15.75"

## Gauge (10cm/4" square):

- pattern stitch A: 26 sts and 18.5 rows
- pattern stitch B: 27 sts and 28 rows

*Gauge may vary according to individual crochet style. Change hook size if necessary to achieve gauge. Alternatively, rework pattern with your own gauge measurements.*

## Summary

❖**Note:** Like all Japanese patterns, stitch counts given here for foundation chains do not include any chain sts needed for turning posts.

**Body:** Work foundation chain to begin. Continue in pattern stitch A. Dots are worked in color #01; everything else in color #02. When working a dot, work stitches in color #01 over main yarn (carrying main yarn along with you). Work pattern stitch B from hem edge downward. Work pattern stitch B along front edges, working buttonholes in right front band as you go.

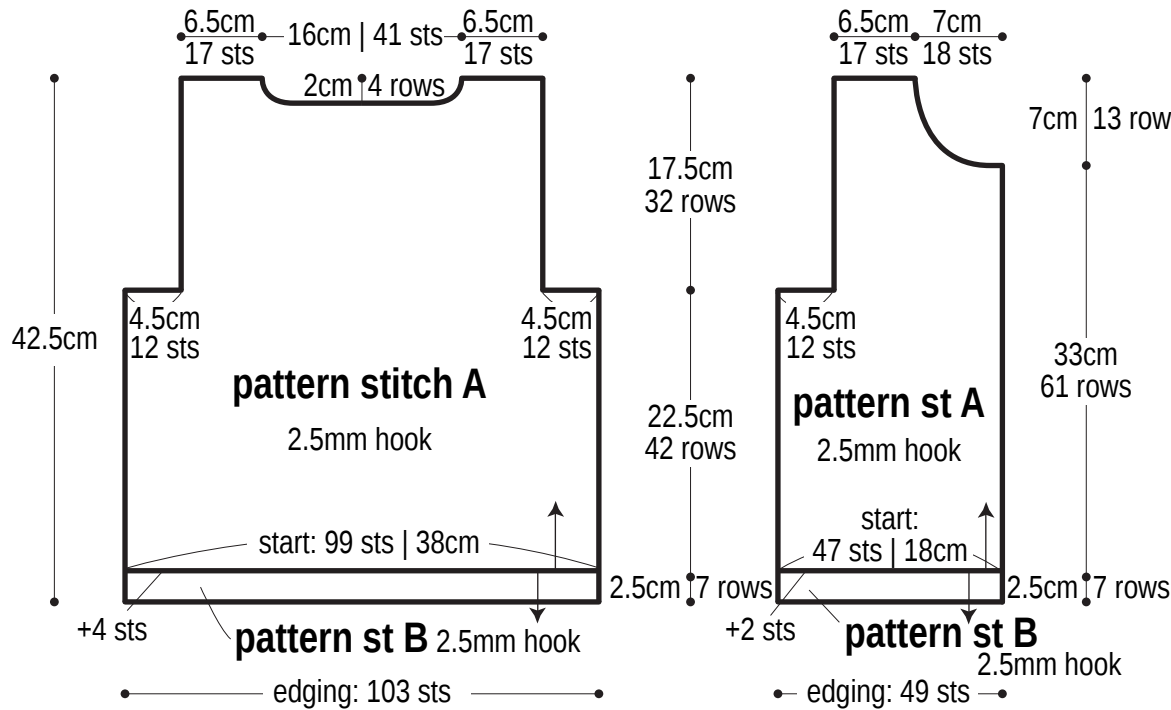
**Sleeve (make 2):** Work foundation chain to begin. Continue in pattern stitch A. Work pattern stitch at cuff edges.

**Finishing:** Seam shoulders with chain seam (alternating chain st and slip st as needed to maintain pattern). Seam sides and sleeve undersides with chain seam. Work pattern stitch B as edging around neckline. Seam sleeves to body with slip stitch.

## Abbreviations:

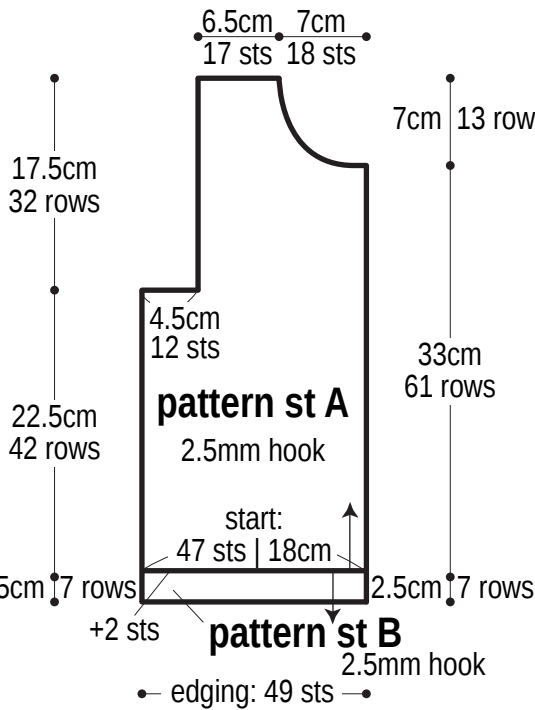
ch = chain

## Back

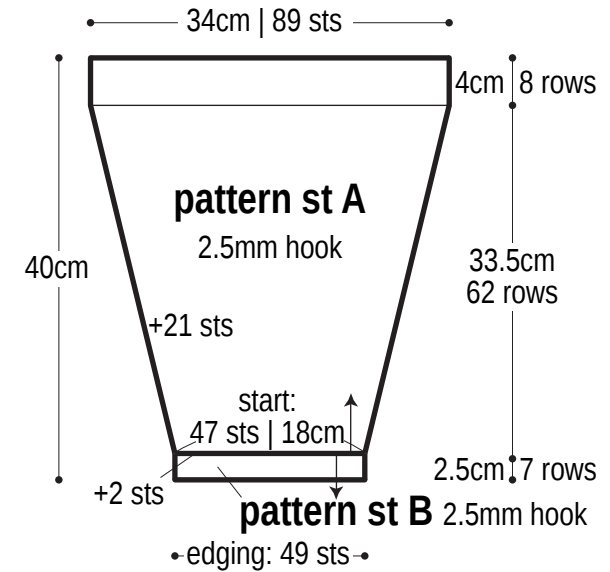


## Right front

\*Reverse shaping for left front.

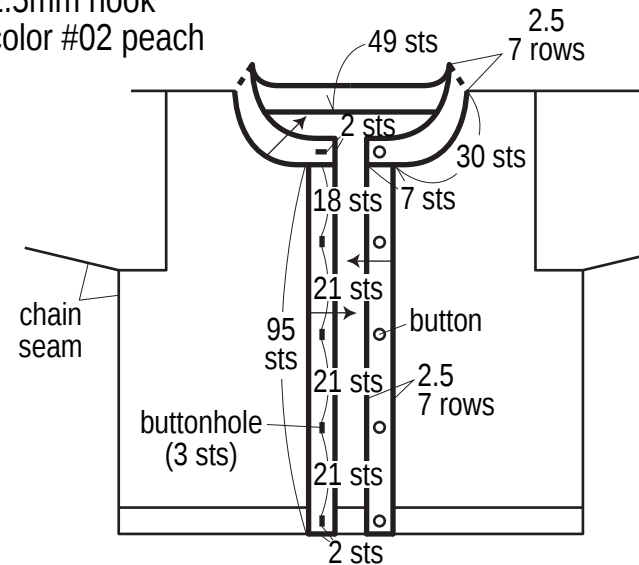


## Sleeve

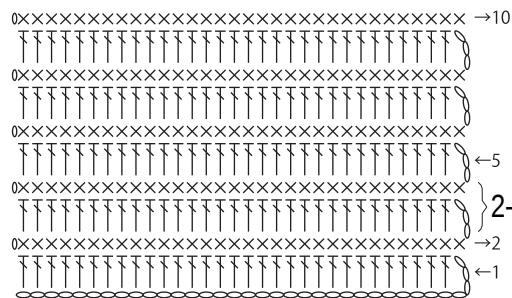


## Finishing

pattern stitch B  
2.5mm hook  
color #02 peach



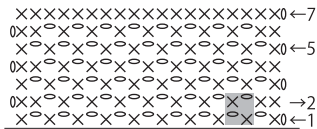
## Pattern stitch A 2.5mm hook



\*Note: refer to back, front, and sleeve charts for intarsia polka dot placement.

## Pattern stitch B 2.5mm hook, color #02 peach

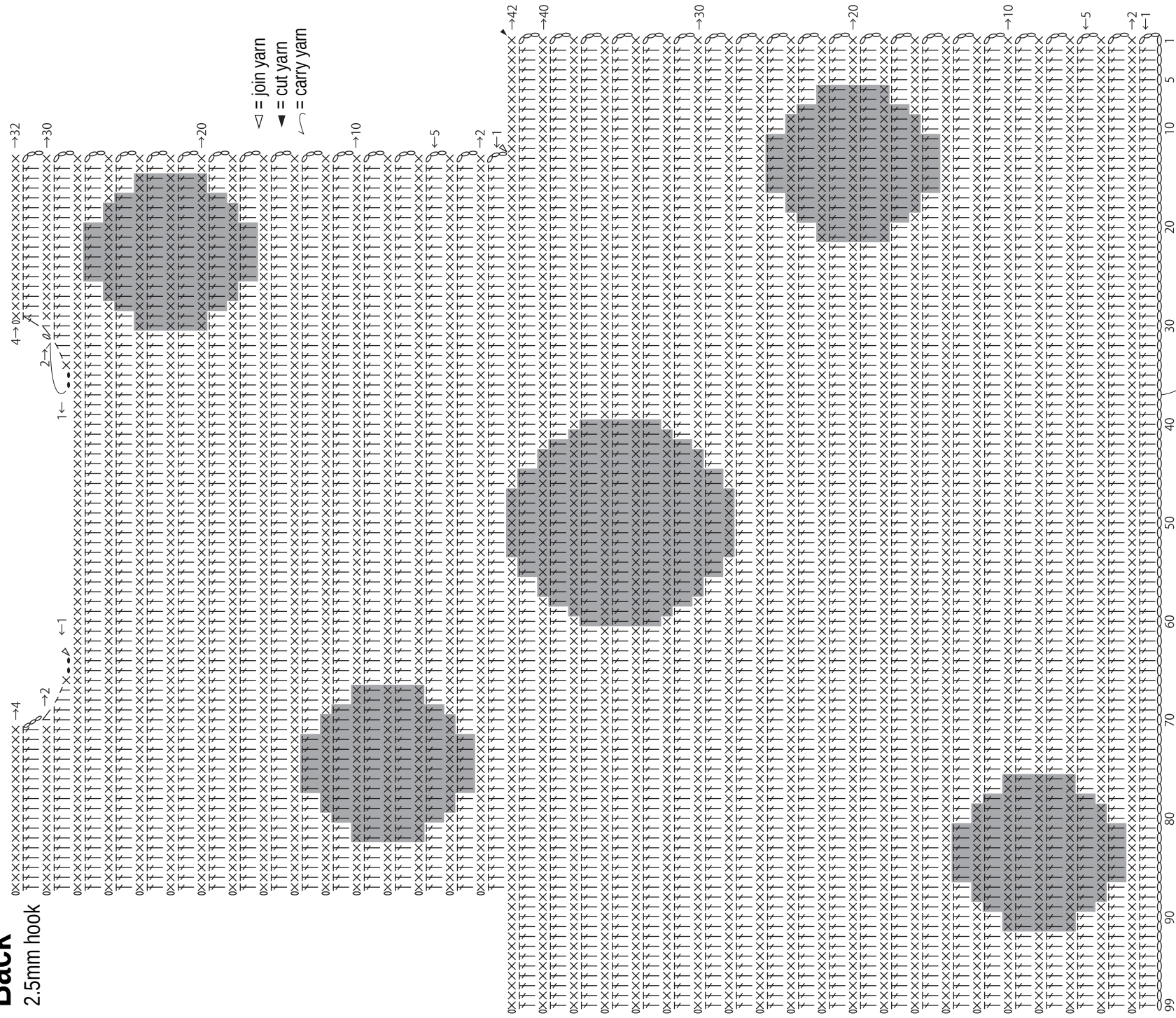
2.5mm hook, color #02 peach



■ = 1 repeat = 2 sts & 2 rows

# Back

2.5mm hook



# Right front

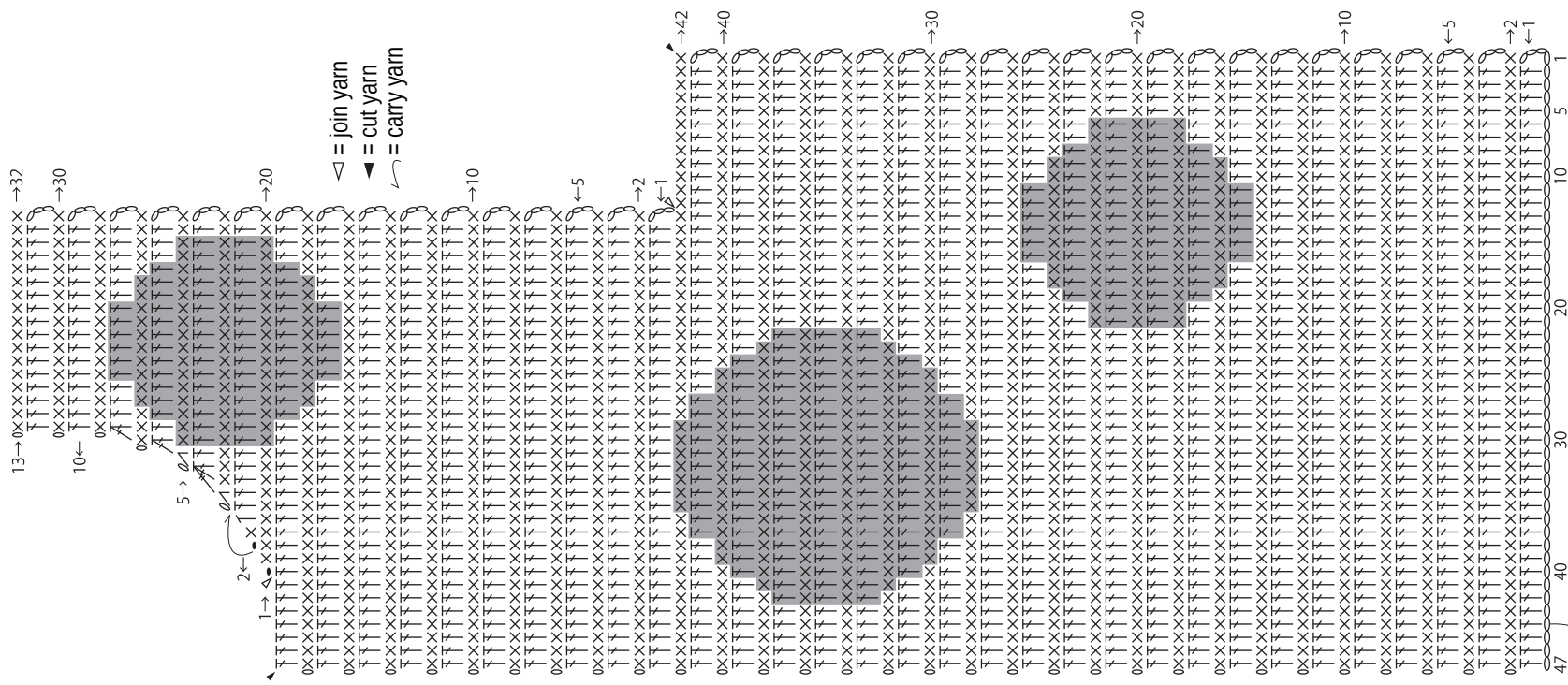
2.5mm hook



ch47 to begin

# Left front

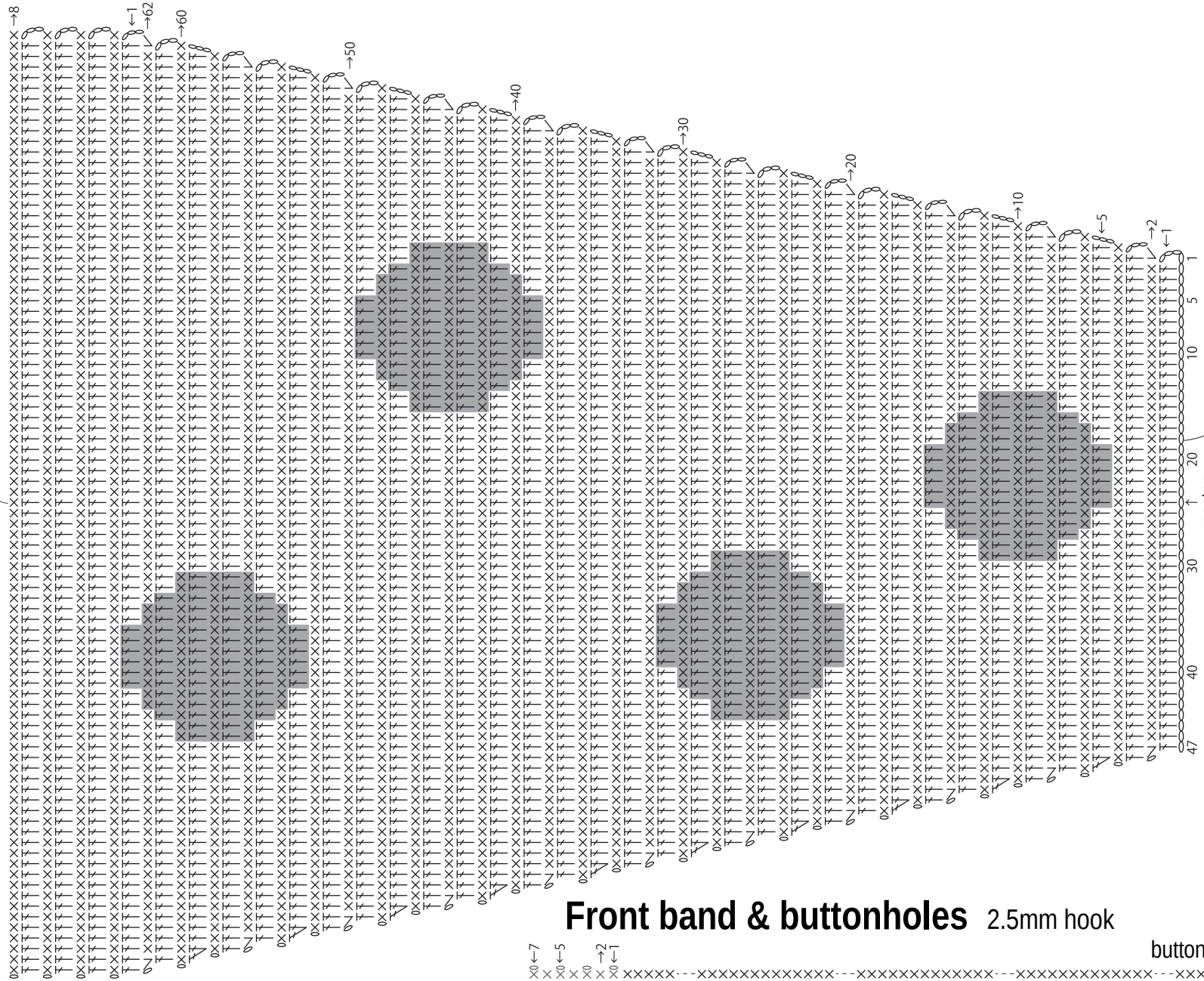
2.5mm hook



# Sleeve

2.5mm hook

89 sts



# Front band & buttonholes 2.5mm hook

