

1219kids-sw Kuchen Kids' Sweater



Suggested yarn:

- Pierrot Yarns Kuchen [100% wool; 153 yds/140m per 8.82 oz./250g cone];
 - color #01 milky white, 2 cones [495g]
 - color #02 lemon yellow, 1 cone [35g]

Tools/Notions:

- 6.6mm (approx. US 10.5), 8.0mm (US 11), and 10.0mm (US 15) knitting needles or sizes necessary to achieve gauge

Finished measurements:

- chest 72cm/28.35"
- cross back width 30cm/11.81"
- back length 35cm/13.78"
- sleeve length 40cm/15.75"

Gauge (10cm/4" square):

- pattern stitch: 13 sts and 16 rows

Gauge may vary according to individual knitting style. Change needle size if necessary to achieve gauge. Alternatively, rework pattern with your own gauge measurements.

Summary

✳️**Note:** Refer to schematics for color sequences.

Back & front: Cast on with long-tail cast-on method. Work in k1p1 ribbing and then in pattern stitch. Seam shoulders with three-needle bind-off method.

Sleeve (make 2): Pick up stitches from body using 10.0mm needles. Work sleeve in pattern stitch and then in k1p1 ribbing. Shape sides of sleeve using k2tog.

Finishing: Pick up stitches around neckline; work k1p1 ribbing in the round. Seam underarm gusset with stitches-to-rows mattress stitch. Seam side and sleeve with one continuous mattress stitch seam (per side).

Abbreviations:

BO = bind off

CO = cast on

k = knit

k2tog = knit 2 stitches together

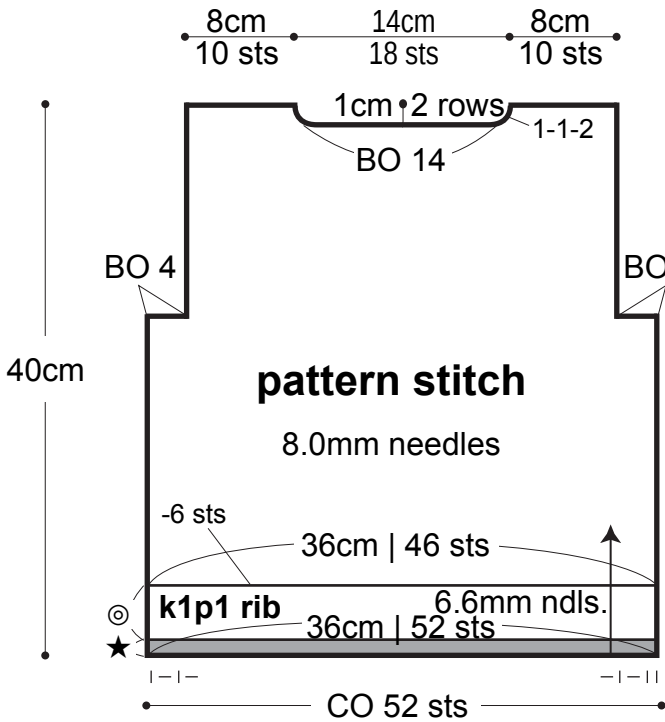
p = purl

PU = pick up

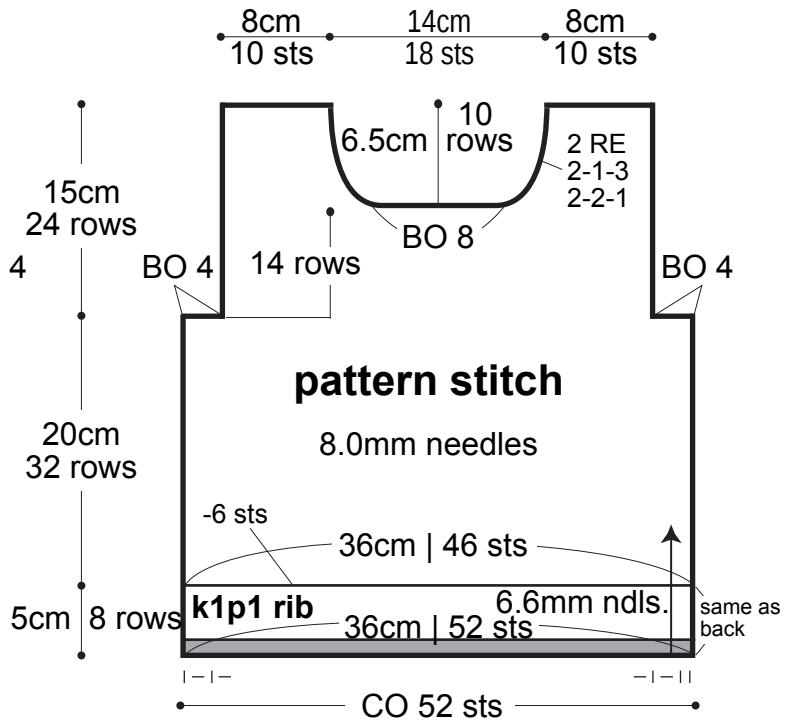
RE = row(s) even

#-#-# = rows-stitches-times

Back



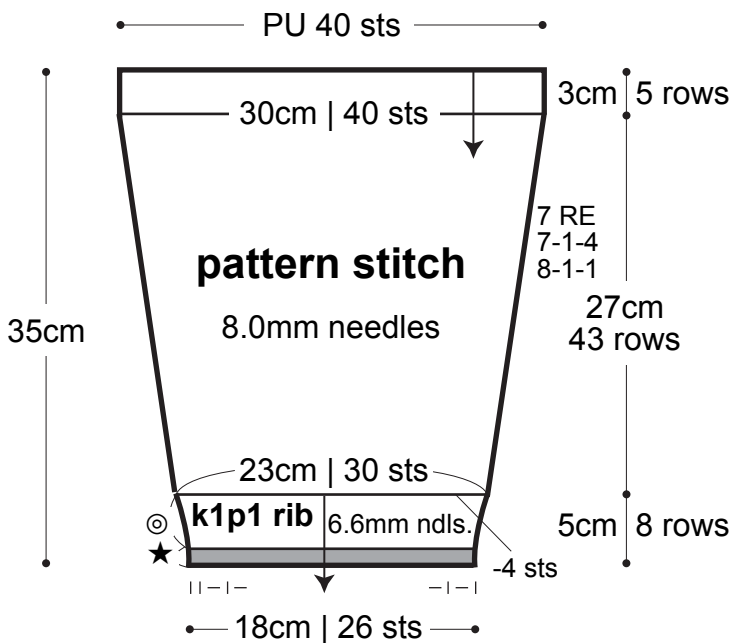
Front



⊙ = 6 rows color #01

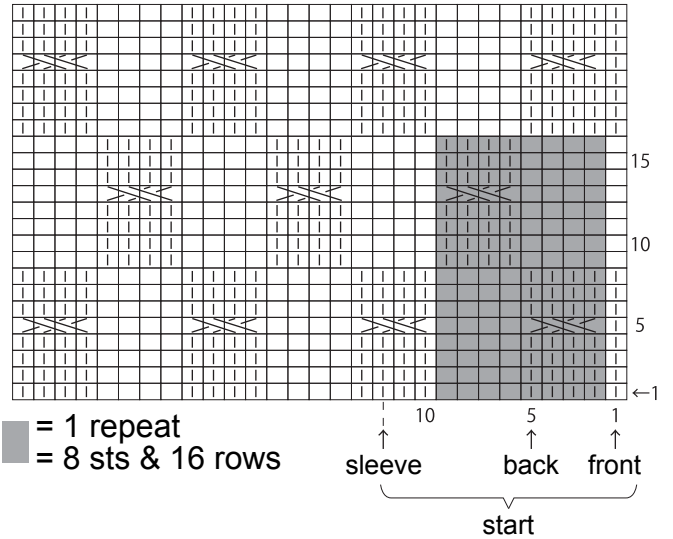
★ = 2 rows color #02

Sleeve



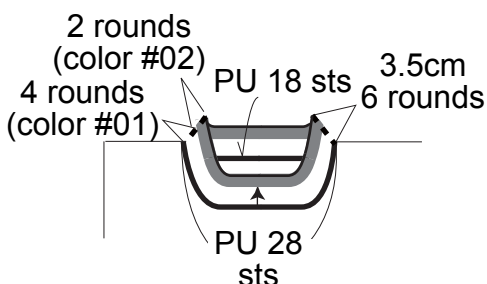
Pattern stitch 8.0mm needles

☐ = ☐ purl

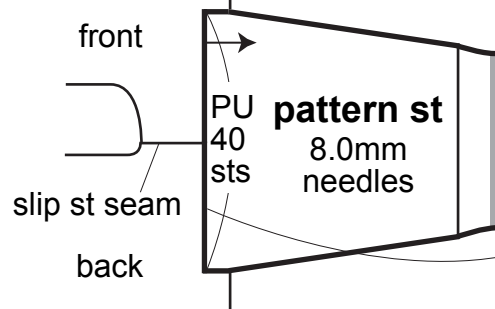


Collar

k1p1 ribbing, 6.6mm needles



How to pick up sleeves



*Use 10.0mm to pick up stitches, then resume with 8.0mm needles. If you don't have 10.0mm needles, pick up loosely with 8.0mm needles instead.