

216aw-16 Savon Dress



Suggested yarn:

- Pierrot Yarns Savon [100% nylon; 61 yds/56m per 1.41 oz./40g skein]; color #01 pearl white, 6 skeins [225g]
- Pierrot Yarns Junmo Gokubuto 2 [100% wool; 57 yds/52m per 1.41 oz./40g skein]; color #101 peach puff, 4 skeins [135g]

Tools/Notions:

- 4.5mm (US 7) and 5.1mm (approx. US 8) knitting needles or sizes necessary to achieve gauge

Finished measurements:

- chest 78cm/30.71"
- center back neck-to-cuff 48.5cm/19.09"
- back length 56cm/22.05"

Gauge (10cm/4" square):

- garter stitch: 16.5 sts and 28.5 rows
- stockinette stitch: 17 sts and 22 rows

Gauge may vary according to individual knitting style. Change needle size if necessary to achieve gauge. Alternatively, rework pattern with your own gauge measurements.

Summary

Back: Cast on with long-tail cast-on method. Work in garter stitch. Shape sides using lifted increase. Shape raglan edges and neckline by binding off stitches where indicated and by working decreases at edges.

Front: Work as for back. Pick up stitches from both sides of hem and work curved sections in garter stitch.

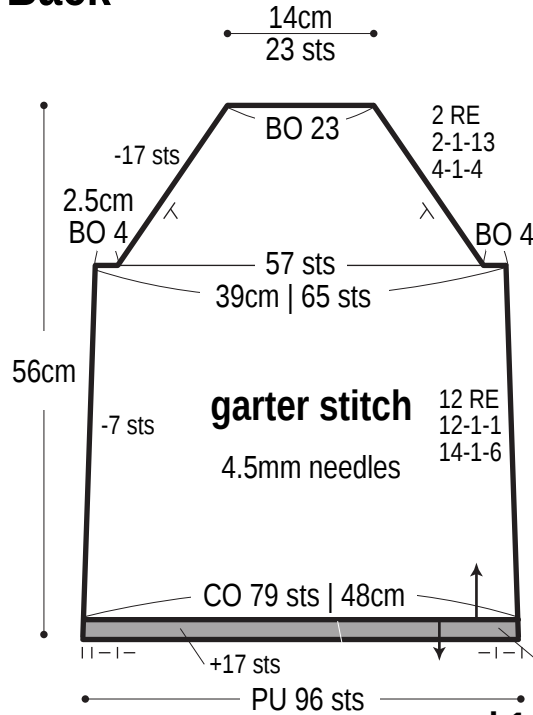
Sleeve: Cast on with long-tail cast-on method. Work in k1p1 ribbing, then in stockinette stitch. For raglan shaping, work fully fashioned decreases 2 sts in from the edge.

Finishing: Pick up stitches from hem; work edging in k1p1 ribbing. Bind off in pattern. Seam raglan edges with mattress stitch, and seam underarm gusset area with Kitchener stitch. Seam sides and sleeve undersides with one continuous mattress stitch seam (per side). Pick up stitches around neckline; work edging in k1p1 ribbing in the round. Bind off in pattern.

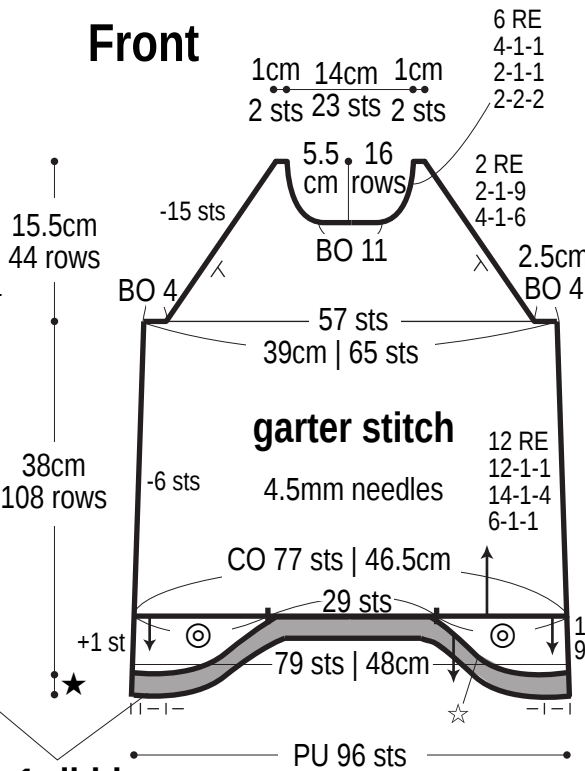
Abbreviations:

BO = bind off CO = cast on k = knit p = purl PU = pick up RE = row(s) even #-#-# = rows-stitches-times

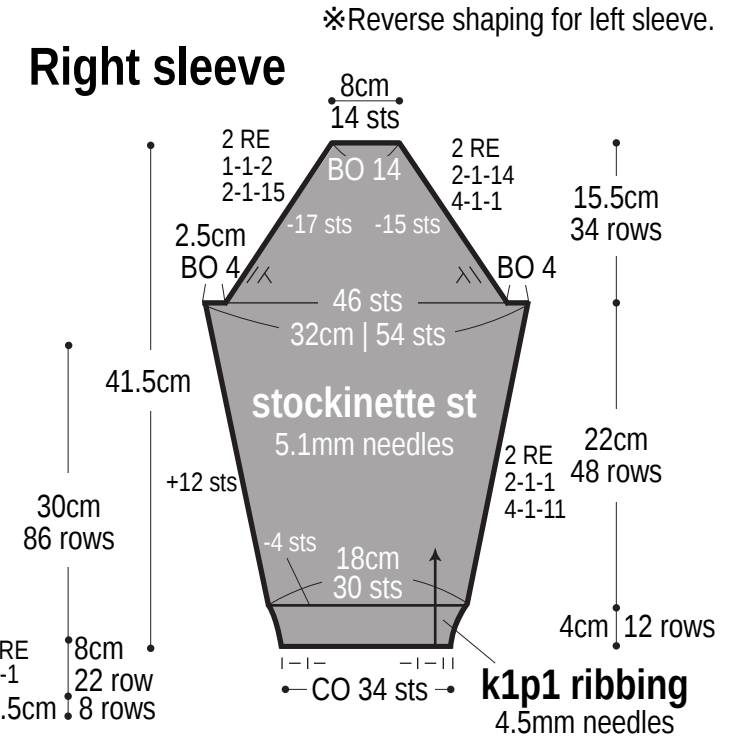
Back



Front



Right sleeve



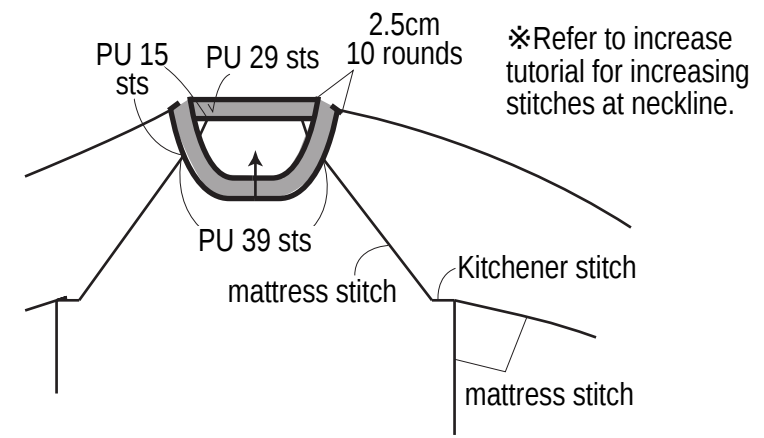
※Reverse shaping for left sleeve.

- ★ = 2.5cm | 8 rows
- ◎ = PU 24 sts
- = Junmo Gokubuto 2 (elsewhere, use Savon)

k1p1 ribbing
4.5mm needles

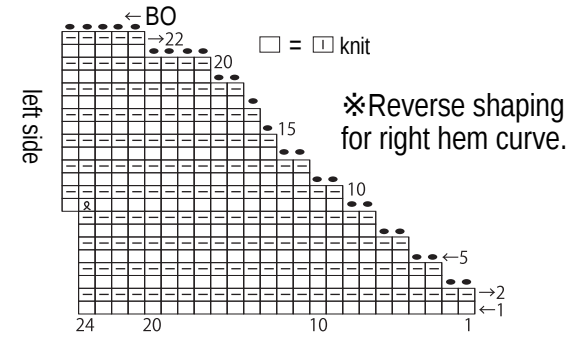
Collar & finishing

k1p1 ribbing, 4.5mm needles



Left hem curve (☆)

4.5mm needles



Use QR code on smartphone to view a video tutorial about how to increase by working 3 stitches into 1 stitch.



※To view on computer, search on the Pierrot Yarns website or YouTube channel instead.

