

216aw-15 Nuage Cardigan



Suggested yarn:

- Pierrot Yarns Nuage [98% Wool - Merino, 2% Goat - Cashmere Goat; 44yds/40m per 2.47oz/70g skein];
 - color #06 Mustard Yellow, 6 skeins [360g]

Tools/Notions:

- 4.5mm (US 7) and 4.8mm (approx. US 8) knitting needles or size necessary to achieve gauge
- Cable needle
- 5 buttons (20mm/0.79")

Finished measurements:

- chest 79cm/31.10"
- center back neck-to-cuff 57.3cm/22.56"
- back length 38cm/14.96"

Gauge (10cm/4" square):

- garter stitch: 19 sts and 36 rows
- pattern stitch: 20 sts and 27 rows
- k1p1 ribbing: 20 sts and 31 rows

Gauge may vary according to individual knitting style. Change needle size if necessary to achieve gauge. Alternatively, rework pattern with your own gauge measurements.

Summary

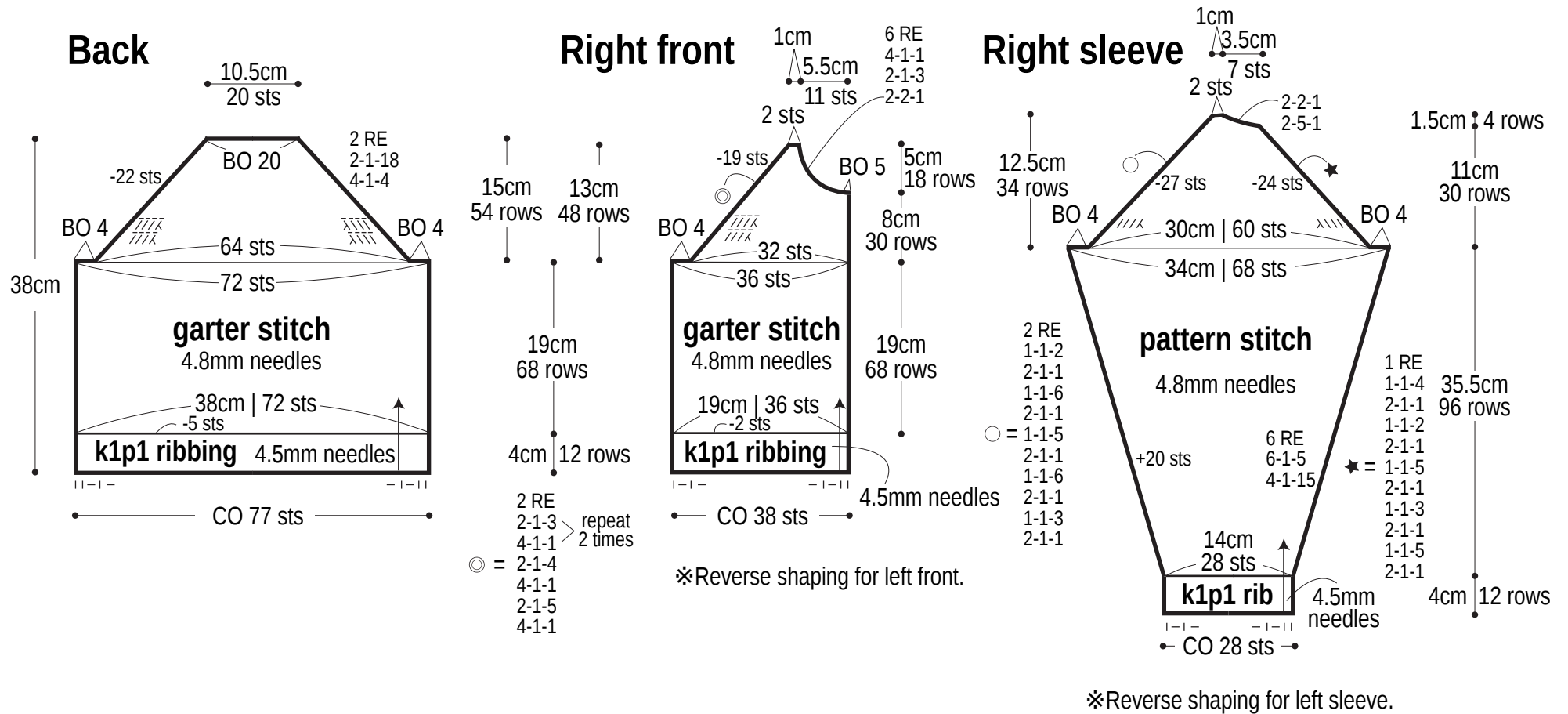
Back & front: Cast on with long-tail cast-on method. Work in k1p1 ribbing, then garter stitch. Work fully fashioned raglan decreases (4 sts in from the edge). Reverse shaping of right front for left front.

Sleeves: Cast on with long-tail cast-on method. Work in k1p1 ribbing, then pattern stitch. Work fully fashioned raglan decreases (4 sts in from the edge). Reverse shaping of right sleeve for left sleeve.

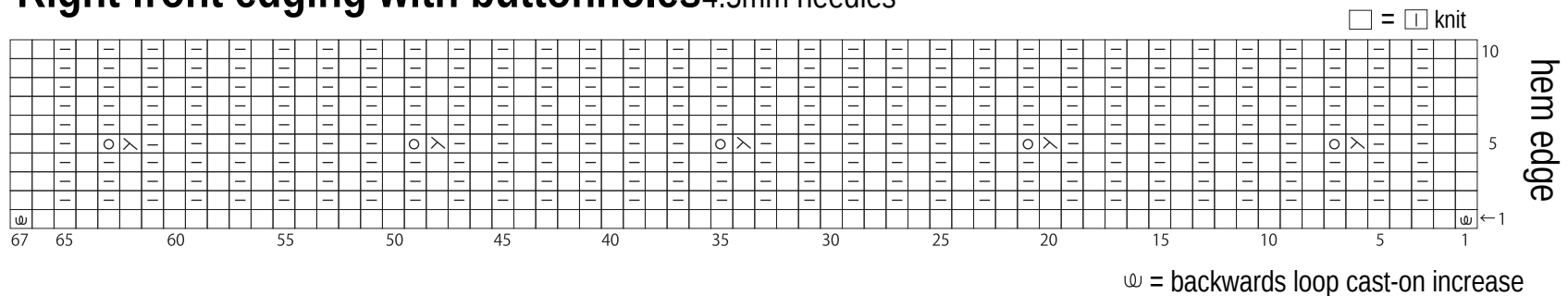
Finishing: Seam raglan edges with mattress stitch. Seam underarm gusset with Kitchener stitch. Continue from underarm seam down length of sleeve, seaming with mattress stitch. Seam sides with mattress stitch. Pick up stitches around neckline and front edges; work k1p1 ribbing. Bind off in pattern.

Abbreviations:

BO = bind off CO = cast on k = knit p = purl PU = pick up RE = row(s) even #-#-# = rows-stitches-times



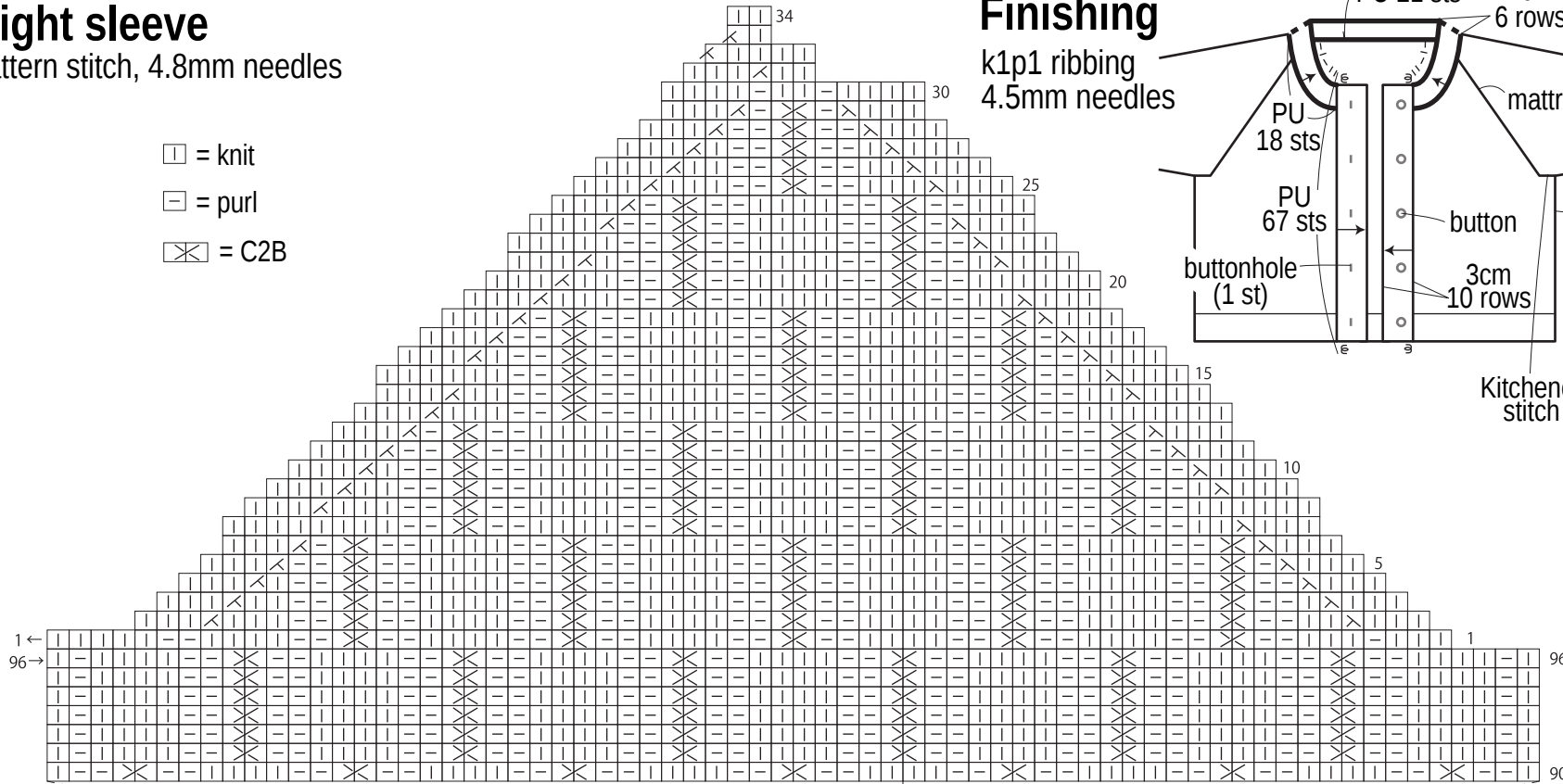
Right front edging with buttonholes 4.5mm needles



Right sleeve

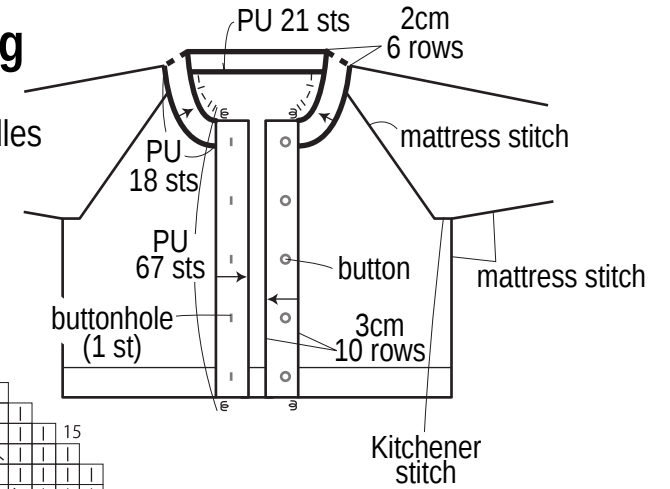
pattern stitch, 4.8mm needles

- = knit
- ▢ = purl
- ⊗ = C2B



Finishing

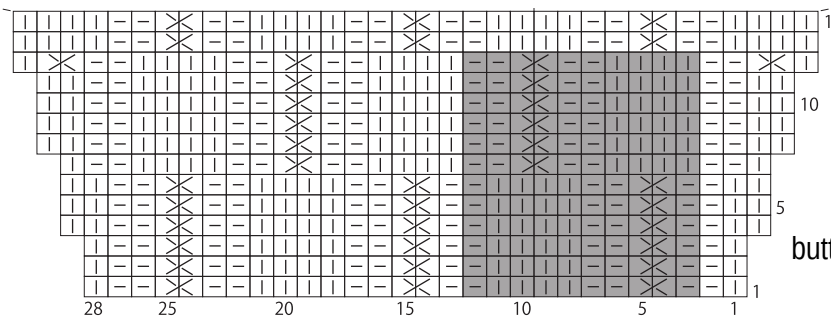
k1p1 ribbing
4.5mm needles



Use QR code on smartphone to view a video tutorial on how to work C2B without a cable needle.



*To view on computer, search on the Pierrot Yarns website or YouTube channel instead.



■ = 1 repeat
= 10 sts & 12 rows

Buttonband

k1p1 ribbing
4.5mm needles

