

216aw-13 Striped Sweater (Child)



Suggested yarn:

- Pierrot Yarns Rover [100% wool; 61 yds/56m per 1.41 oz./40g skein];
 - color #01 off-white, 3 skeins [110g]
 - color #16 red beans, 4 skeins [140g]

Tools/Notions:

- 5.4mm (approx. US 9) and 6.0mm (US 10) knitting needles or sizes necessary to achieve gauge
- 3 buttons (20mm/0.79")

Finished measurements:

- bust 72cm/28.35"
- center back neck-to-cuff 52.5cm/20.67"
- back length 40cm/15.75"

Gauge (10cm/4" square):

- stockinette stitch (striped and solid): 13 sts and 20 rows

Gauge may vary according to individual knitting style. Change needle size if necessary to achieve gauge. Alternatively, rework pattern with your own gauge measurements.

Summary

Back & front: Cast on with long-tail cast-on method. Work in stockinette stitch. Shape raglan edges by binding off stitches where indicated and by working fully fashioned decreases (BACK & RIGHT FRONT: worked 1 st in from the edge; LEFT FRONT: worked 5 sts in from the edge - this creates the buttonband). For left side of front, work buttonholes as you shape raglan edge.

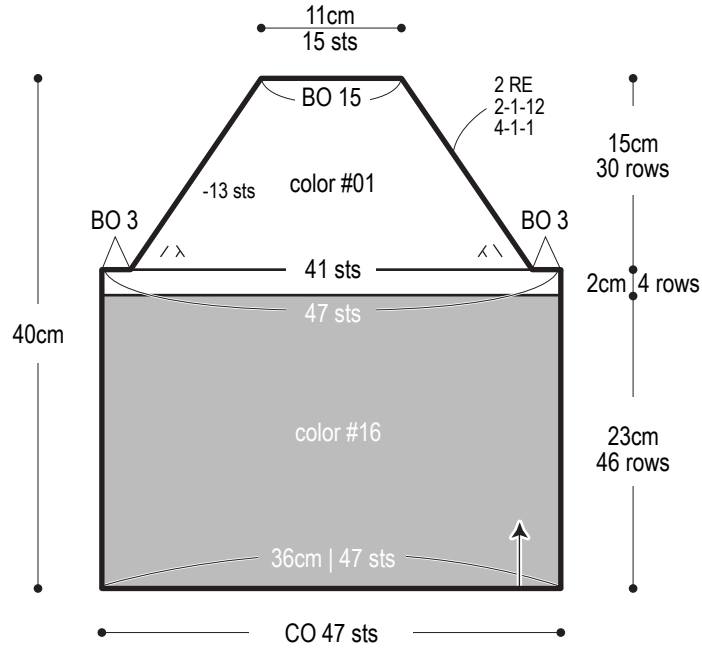
Sleeves: Cast on with long-tail cast-on method. Work in striped stockinette stitch and stockinette stitch. Shape raglan edges by working fully fashioned decreases (worked 1 st in from the edge). For left sleeve, work buttonband at the same time as raglan shaping (see schematic).

Finishing: Seam raglan edges with mattress stitch. Seam underarm gussets with Kitchener stitch. Seam the side with mattress stitch, then continue seam down the length of sleeve. Match up row 7 of left body to left sleeve buttonband, then seam with whipstitch such that seam does not show through to right side. Pick up stitches around neckline; work collar in k1p1 ribbing, working buttonhole in left front collar as you go. Bind off in pattern.

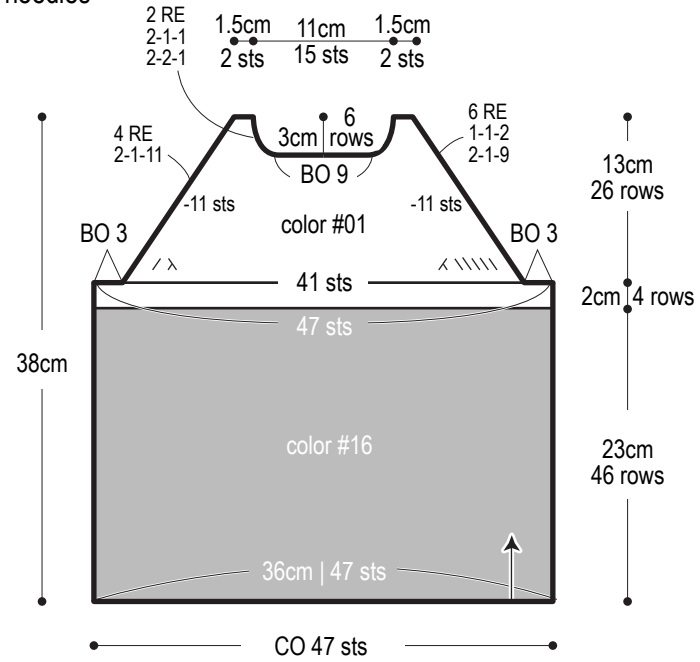
Abbreviations:

BO = bind off CO = cast on k = knit p = purl PU = pick up RE = row(s) even st st = stockinette stitch ### = rows-stitches-times

Back: st st
6.0mm needles

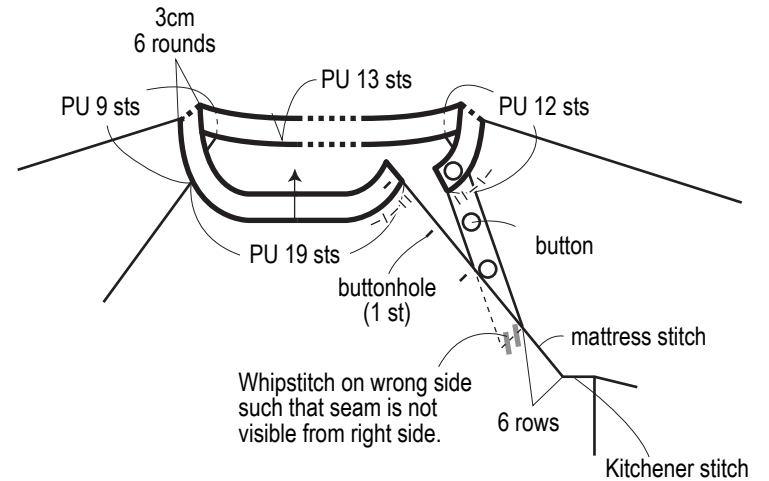


Front: st st
6.0mm needles



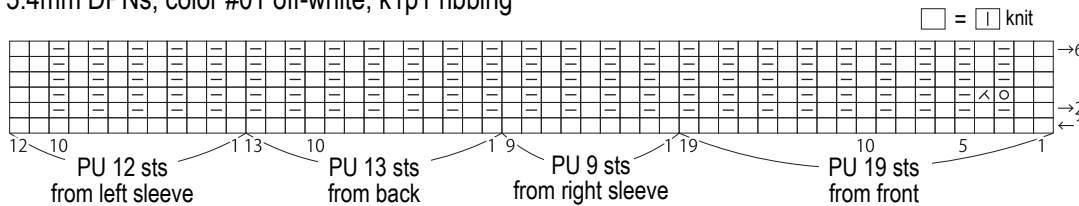
Collar: k1p1 ribbing

5.4mm needles, color #01 off-white

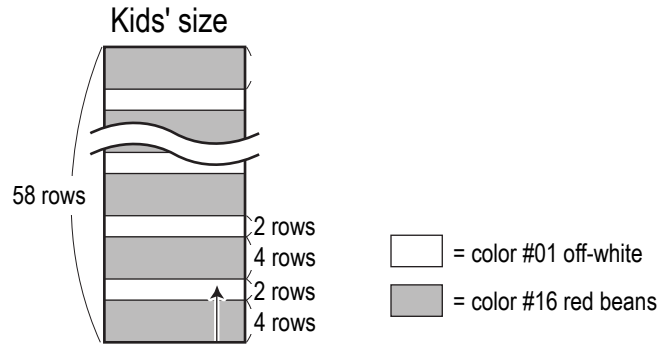


Collar: buttonholes

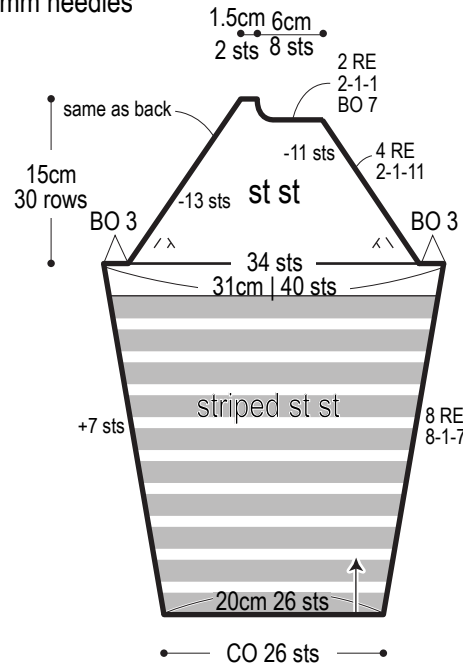
5.4mm DPNs, color #01 off-white, k1p1 ribbing



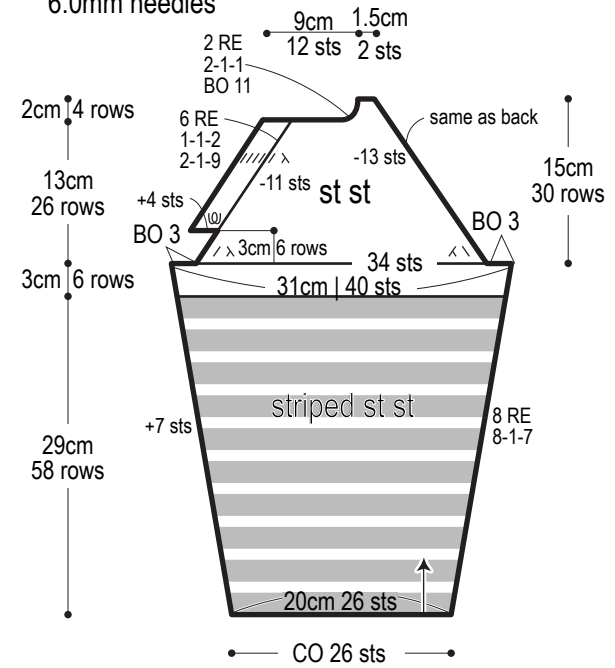
Striped st st



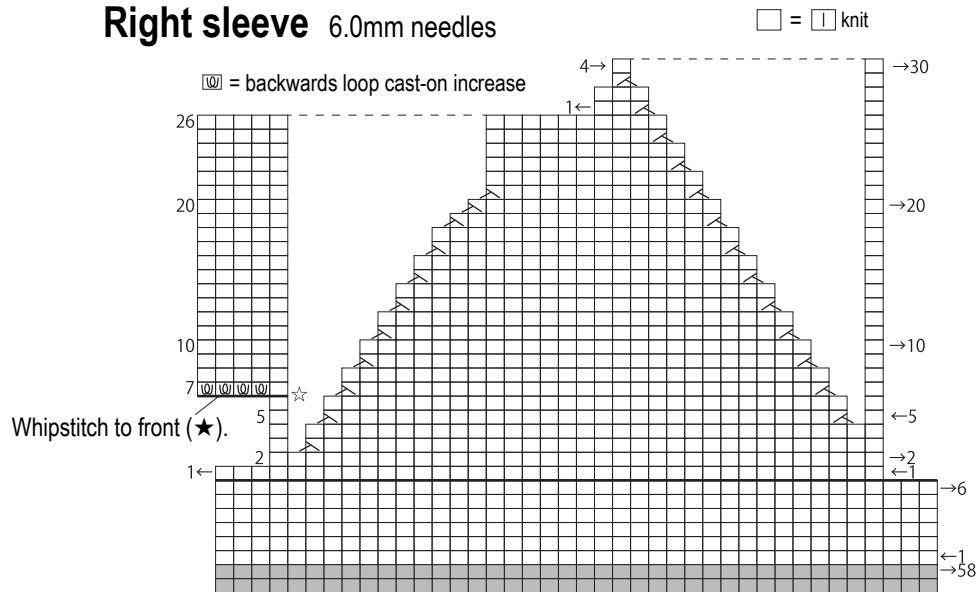
Right sleeve 6.0mm needles



Left sleeve 6.0mm needles



Right sleeve 6.0mm needles



Front 6.0mm needles

