

216aw-09 Mohair Tote Bag



Suggested yarn:

- Pierrot Yarns Downy Tam [72% wool, 21% mohair, 7% nylon; 105 yds/96m per 2.82 oz./80g skein];
 - color #04 greige, 3 skeins [210g]
 - color #07 oriental red, 1 skein [50g]

Tools/Notions:

- 5.0mm (US H) crochet hook or size necessary to achieve gauge
- 1 piece suede leather, A4 size (21cm/9.27" by 29.7cm/11.7 in")
- sewing needle
- sewing thread
- teknorote (65cm/25.59") - polypropylene memory wire
- sewing machine

Finished measurements:

- depth 25.5cm/10.04"
- circumference 64.5cm/25.39"
- handle length 20cm/7.87"

Gauge (10cm/4" square):

- pattern stitch: 13 sts and 13 rounds
- single crochet (US): 13 sts and 14 rounds

Gauge may vary according to individual crochet style. Change hook size if necessary to achieve gauge. Alternatively, rework pattern with your own gauge measurements.

Summary

✳️**Note:** Like all Japanese patterns, stitch counts given here for foundation chains do **not** include any chain sts needed for turning posts.

Bottom: Work foundation chain to begin, then work sc in the round for 7 rounds, increasing as indicated. Make 1 bottom piece in color #04 and another in color #07.

Sides: Place two bottom pieces together with wrong sides facing each other. Seam together by working first round of both side pieces through stitches at edges of both bottom pieces. Choose either color #04 or color #07 as the color facing outward. Work first round in sc tbl. On last round, work stitches around teknorote.

Handles: Work handles in sc, starting each one directly into stitches of the sides of the bag.

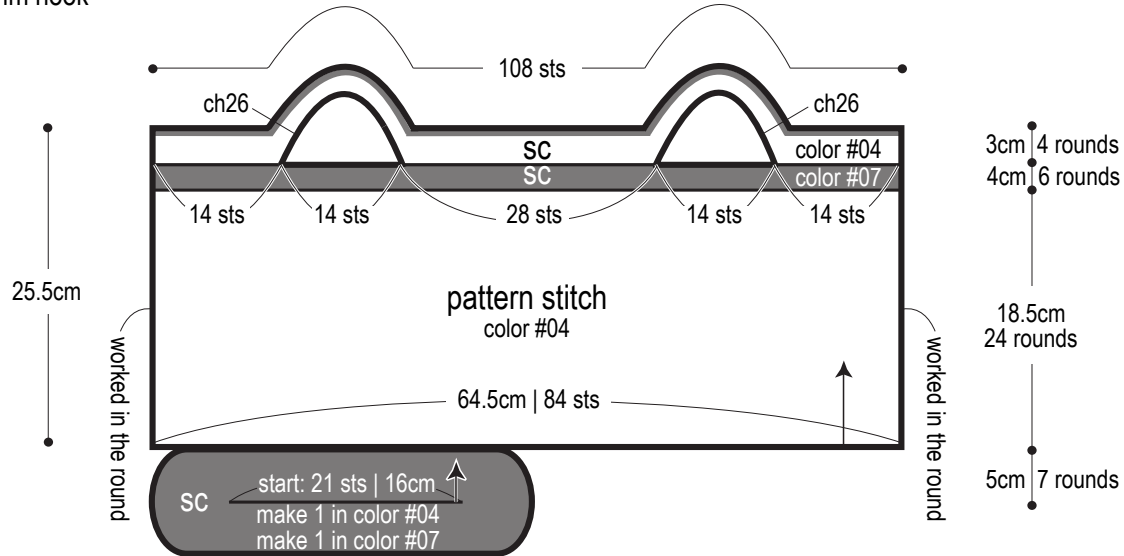
Finishing: Cut piece of suede into two pieces of size indicated. Referring to finishing schematic, run suede pieces through unthreaded sewing machine to create holes for later sewing. Cover each handle with suede with 0.5cm/0.20" overlap and whipstitch in place, working stitches into holes created by sewing machine.

Abbreviations:

ch = chain hdc = half double crochet (US) sc = single crochet (US)


Bag

5.0mm hook



= color #04 greige
 = color #07 oriental red

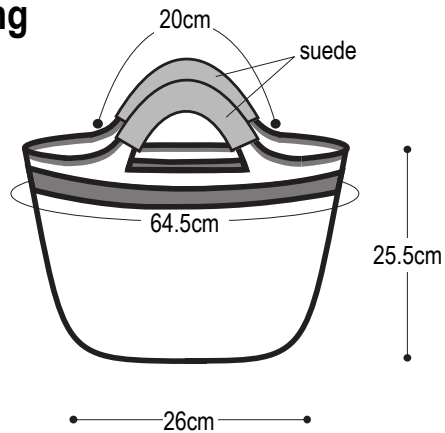
Use QR code on smartphone to view a video tutorial about how to work 3-hdc cluster st.



検索

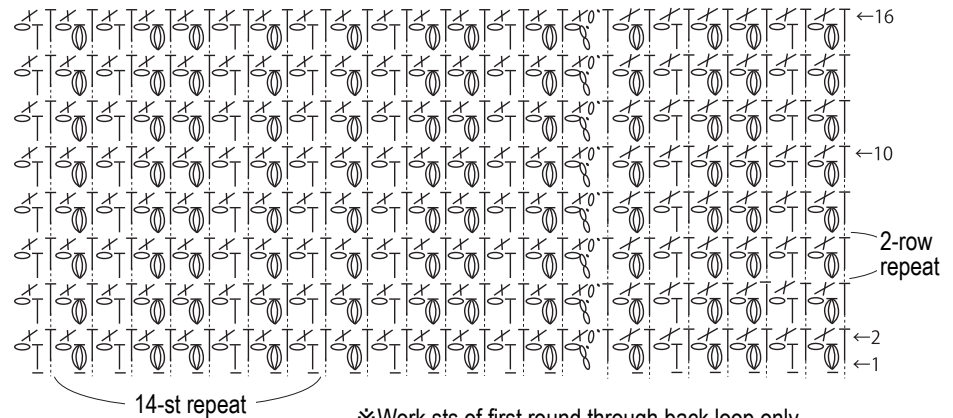
※To view on computer, search on the Pierrot Yarns website or YouTube channel instead.

Finishing

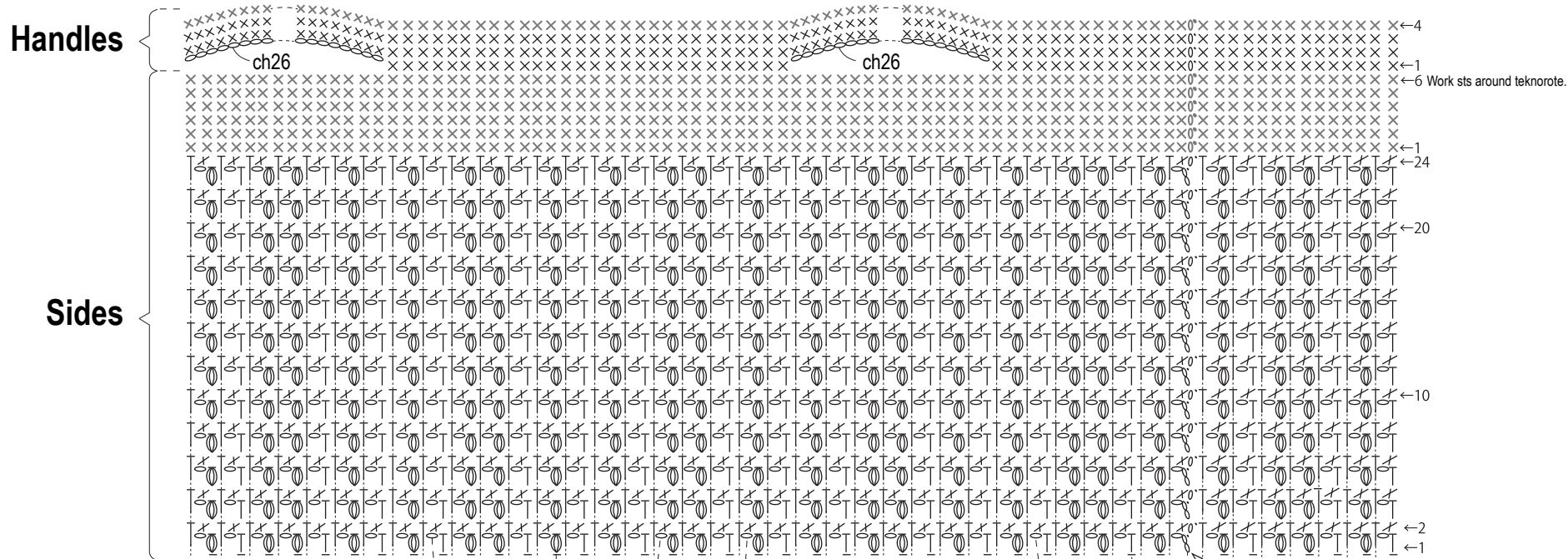


Pattern stitch 5.0mm hook

= work into st 2 rounds below = 3-hdc cluster stitch

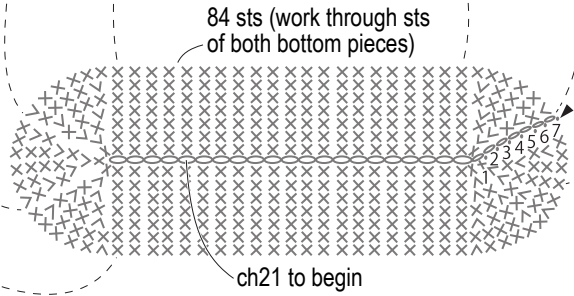


※Work sts of first round through back loop only.



Bottom

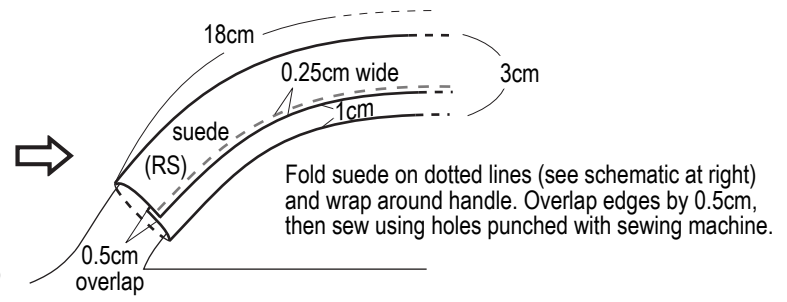
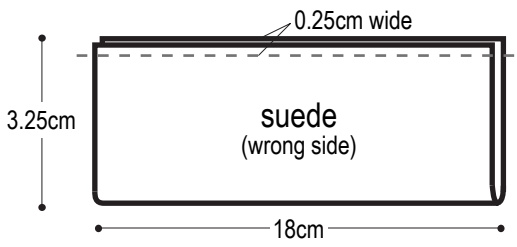
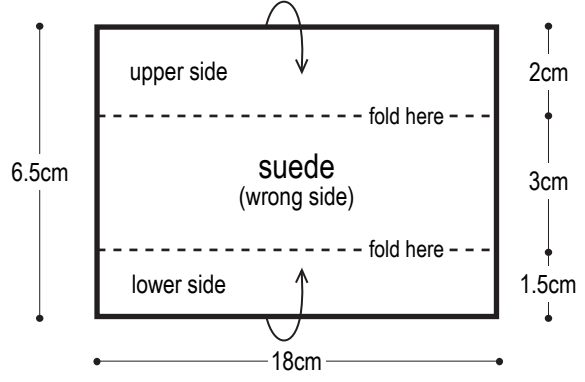
- ◁ = join yarn
- ◀ = cut yarn
- = color #04 greige
- = color #07 oriental red



Bottom increases

round no.	stitch count	
7	84 sts	} +6 sts per round
~	~	
2	54 sts	
1	48 sts	
	ch21 to begin	

Leather handles (make 2)



--- = After cutting suede to size (see schematic to the left), fold in half as shown above. With unthreaded sewing machine, sew along dotted line in order to punch holes for seaming. Alternatively, use awl to punch holes in suede.

Fold suede on dotted lines (see schematic at right) and wrap around handle. Overlap edges by 0.5cm, then sew using holes punched with sewing machine.