

216aw-08 Room Shoes



version A



version B

Suggested yarn:

- Pierrot Yarns Round Heart [69% wool, 13% mohair, 13% acrylic, 5% nylon; 39 yds/36m per 1.41 oz./40g skein];
 - version A: color #05 clay gray, 2 skeins [80g]
 - version B: color #06 coral mist, 2 skeins [70g]

Tools/Notions:

- 6.0mm (US 10) knitting needles or size necessary to achieve gauge
- 5.0mm (US H) crochet hook or size necessary to achieve gauge
- 1 pair felt soles (23cm/9.06" long)

Finished measurements:

- foot length 23cm/9.06"

Gauge (10cm/4" square):

- seed stitch: 13 sts and 19 rows

Gauge may vary according to individual knitting style. Change needle size if necessary to achieve gauge. Alternatively, rework pattern with your own gauge measurements.

Summary

Body of slipper (make 2): Cast on with long-tail cast-on method. Work in seed stitch. Bind off.

Finishing: Work 1 round of sc edging around each sole (working the stitches into holes punched in the felt). Fold slipper as shown in finishing schematic, then seam slipper to sc edging of sole using whipstitch. For version A, knit ribbon and fasten to instep.

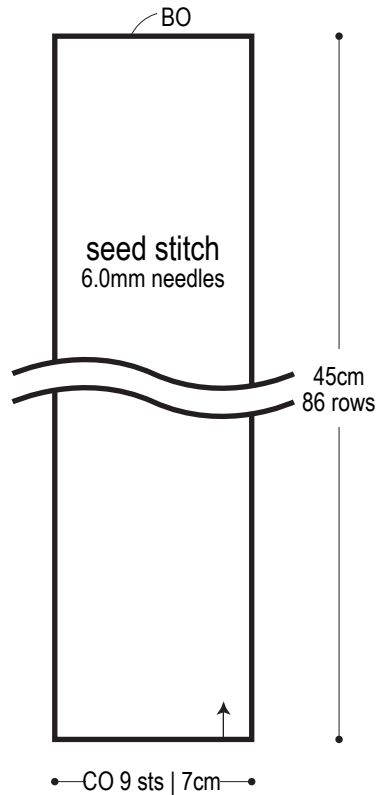
Abbreviations:

BO = bind off

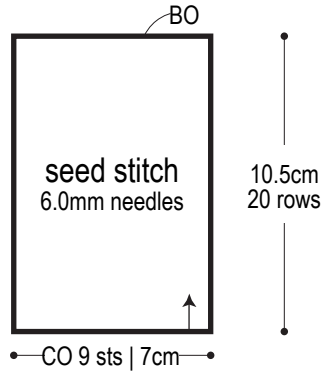
CO = cast on

sc = single crochet (US)

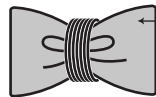
Body of slipper (make 2)



Version A: Ribbon (make 2)

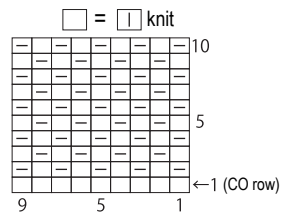


Ribbon finishing

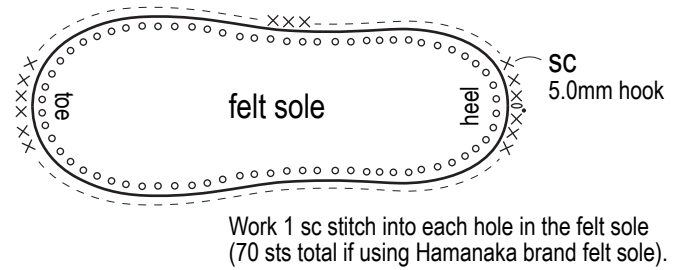


Form gather at center. Wrap 10-15 times with yarn in the same color.

Seed stitch 6.0mm needles



Felt sole edging



Finishing

