

tricot8-6 Coasters



Suggested yarn:

- Keito-Zakka Stores Wool Palette [71% wool, 21% polyester, 5% silk, 1% rayon, 1% acrylic, 1% nylon; 213 yds/195m per 1.41 oz./40g skein];
 - version A:
 - color #05 pink, 1 skein [4g]
 - color #22 blue, 1 skein [2g]
 - version B:
 - color #05 pink, 1 skein [2g]
 - color #22 blue, 1 skein [4g]
 - version C:
 - color #29 green, 1 skein [3.5g]
 - color #31 brown, 1 skein [1g]
 - version D:
 - color #29 green, 1 skein [1g]
 - color #31 brown, 1 skein [3.5g]

Tools/Notions:

- 3.3mm (approx. US 4) knitting needles or size necessary to achieve gauge
- 2.0mm (US steel hook #4) crochet hooks or size necessary to achieve gauge

Finished measurements:

- length 12cm/4.72"
- height 12cm/4.72"

Gauge (10cm/4" square):

- A, B: 28 sts and 32 rows
- C, D: 27.5 sts and 31.5 rows

Gauge may vary according to individual knitting style. Change needle size if necessary to achieve gauge. Alternatively, rework pattern with your own gauge measurements.

Summary

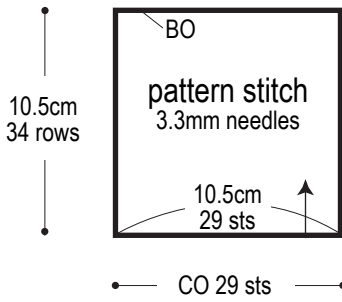
Versions A & B: Cast on with long-tail cast-on method. Work in stranded colorwork according to chart. Bind off. Work 2 rounds of crochet edging around outer edges.

Versions C & D: Cast on with long-tail cast-on method. Work 6 rows of garter stitch. Work in stranded colorwork according to chart. Work 5 rows of garter stitch. Bind off.

Abbreviations:

BO = bind off
CC = contrasting color
CO = cast on
MC = main color

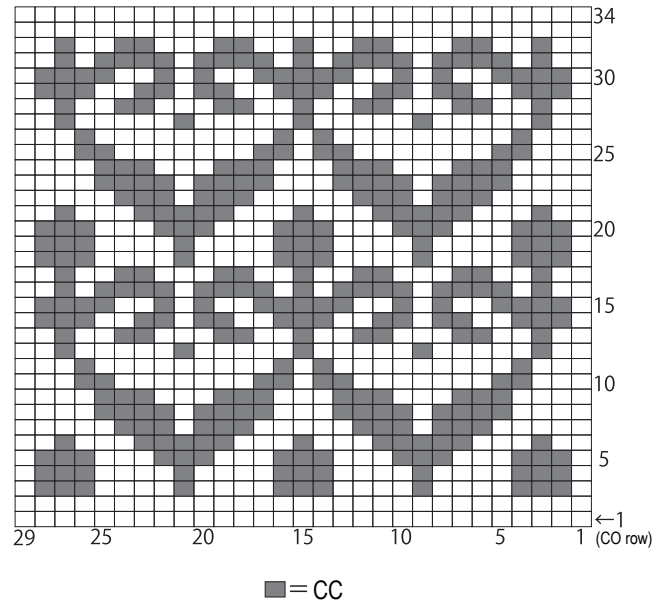
Coaster A, B



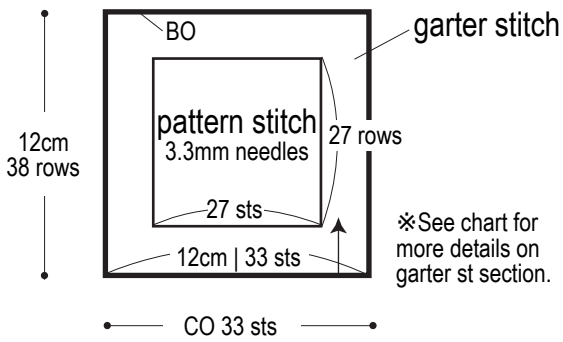
Color sequences

	coaster A	coaster B
MC, edging	color #05, 4g	color #22, 4g
CC	color #22, 2g	color #05, 2g

Coaster A, B 3.3mm needles



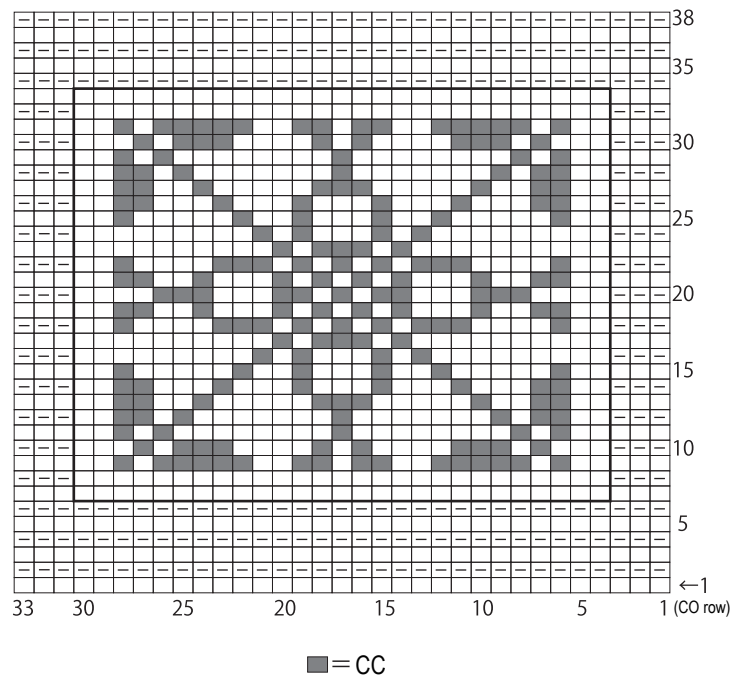
Coaster C, D



Color sequences

	coaster C	coaster D
MC	color #29, 3.5g	color #31, 3.5g
CC	color #31, 1g	color #29, 1g

Coaster C, D 3.3mm needles



Edging 2.0mm hook

