

Julien Lace Back Tee



Suggested yarn:

- Pierrot Yarns Julien [95% silk, 5% polyester; 192 yds/176m per 1.41 oz./40g skein];
 - color #77 powder pink rose, 6 skeins [240g]

Tools/Notions:

- 3.0mm (US 3) and 3.6mm (approx. US 5) knitting needles or sizes necessary to achieve gauge
- 3.0mm (US 3) double-pointed knitting needles or size necessary to achieve gauge

Finished measurements:

- bust 122cm/48.03"
- center back neck-to-cuff 32.5cm/12.80"
- front length 71cm/27.95"
- back length 77cm/30.31"

Gauge (10cm/4" square):

- pattern stitch: 26 sts and 36 rows
- stockinette stitch: 27 sts and 36 rows

Gauge may vary according to individual knitting style. Change needle size if necessary to achieve gauge. Alternatively, rework pattern with your own gauge measurements.

Summary

Back: Cast on with long-tail cast-on method. Work in k1p1 ribbing, then continue in pattern stitch.

Front: Cast on with long-tail cast-on method. Work in k1p1 ribbing, then continue in stockinette stitch.

Finishing: Seam shoulders with crochet slip stitch seam. Seam sides with mattress stitch from marker for side slit to marker for sleeve. Pick up stitches around armholes and neckline, respectively; work edging in k1p1 ribbing in the round. Bind off in pattern.

Abbreviations:

BO = bind off

CO = cast on

k = knit

p = purl

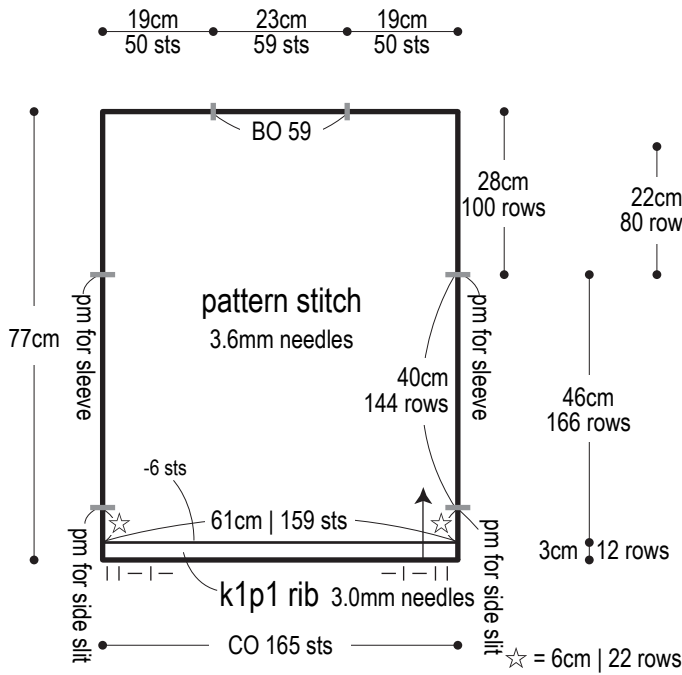
pm = place marker

PU = pick up

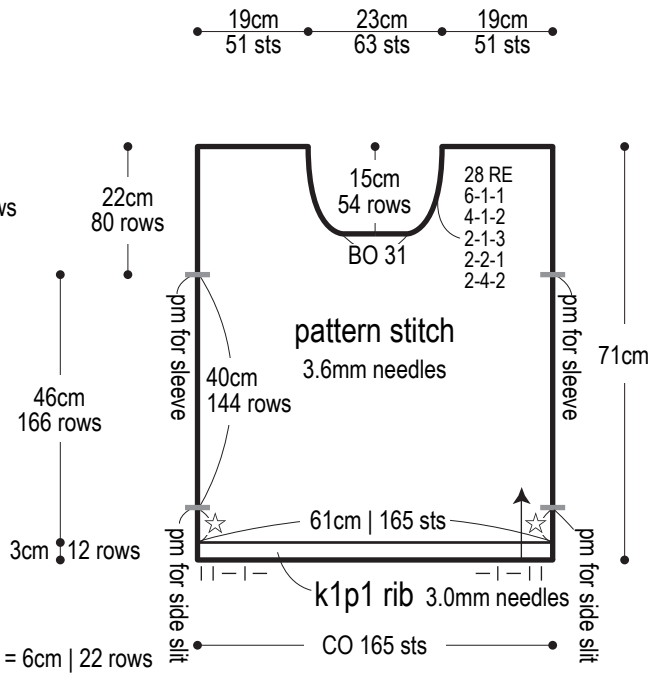
RE = row(s) even

= rows-stitches-times

Back

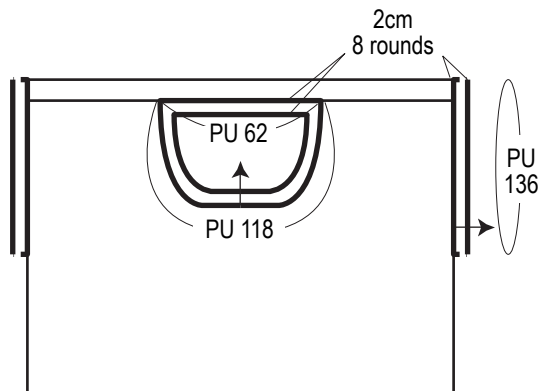


Front



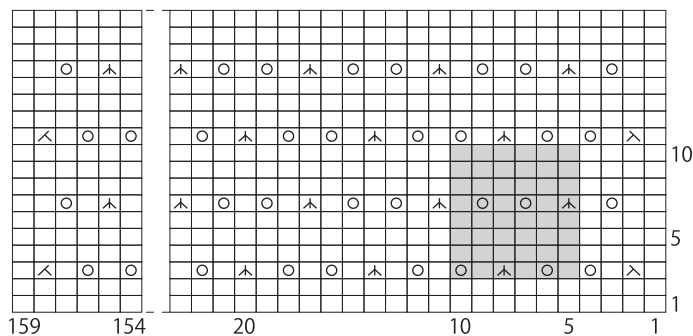
Finishing

k1p1 ribbing
3.0mm DPNs



Pattern stitch 3.6mm needles

□ = □ knit



■ = 1 repeat = 6 sts & 8 rows