

# 663tb Odekake Mini Bag



## Suggested yarn:

- Pierrot Yarns Raffia [100% rayon; 124 yds/113m per 1.76 oz./50g skein];
  - color #83 milk white, 1 skein [45g]
  - color #87 turquoise green, 1 skein [50g]

## Tools/Notions:

- 3.0mm (approx. US C or D) crochet hook or size necessary to achieve gauge
- 1 pair acrylic purse handles (18cm/7.09" diameter)

## Finished measurements:

- height 26cm/10.24"
- length 23cm/9.06"

## Gauge (10cm/4" square):

- pattern stitch: 18 sts and 14 rows

*Gauge may vary according to individual crochet style. Change hook size if necessary to achieve gauge. Alternatively, rework pattern with your own gauge measurements.*

## Summary

✳️**Note:** Like all Japanese patterns, stitch counts given here for foundation chains do not include any chain sts needed for turning posts.

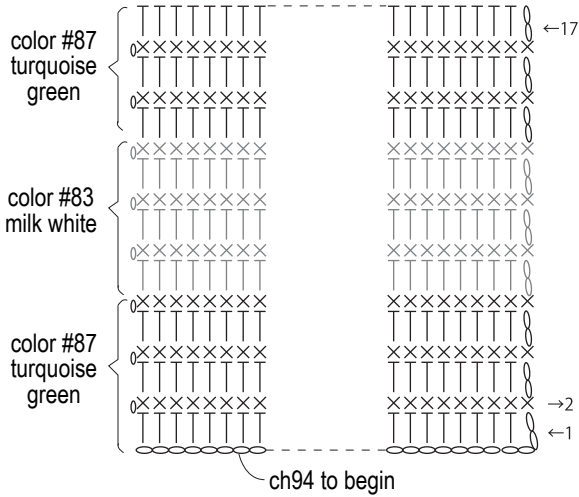
**Body of bag:** For each of the three pieces (① to ③), work foundation chain to begin. Work piece in pattern stitch according to schematics.

**Finishing:** Seam pieces ① to ③ together with wrong sides facing each other using whipstitch. Attach handles.

## Abbreviations:

ch = chain

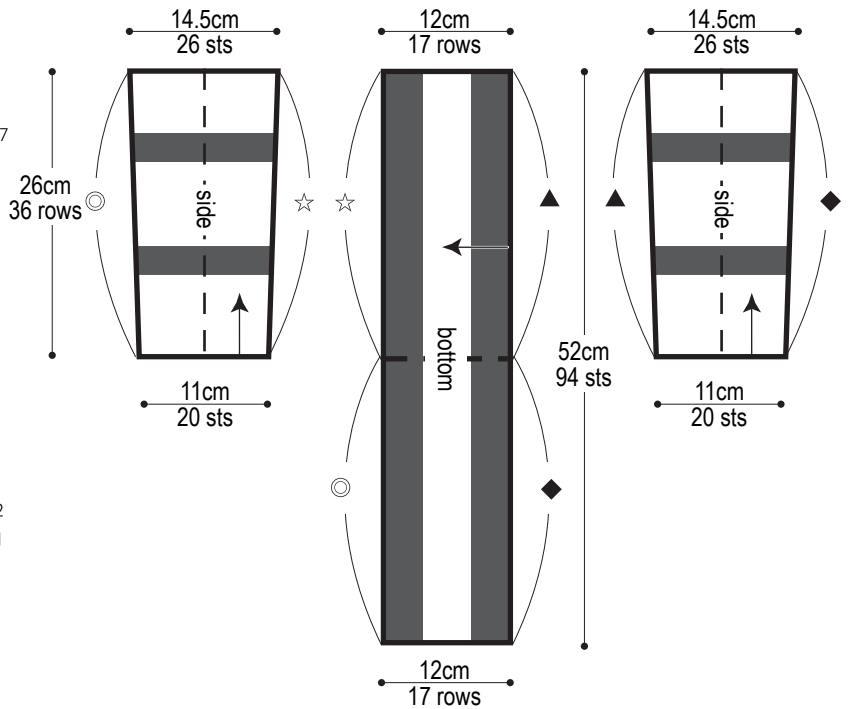
**Piece ①** 3.0mm hook, make 1



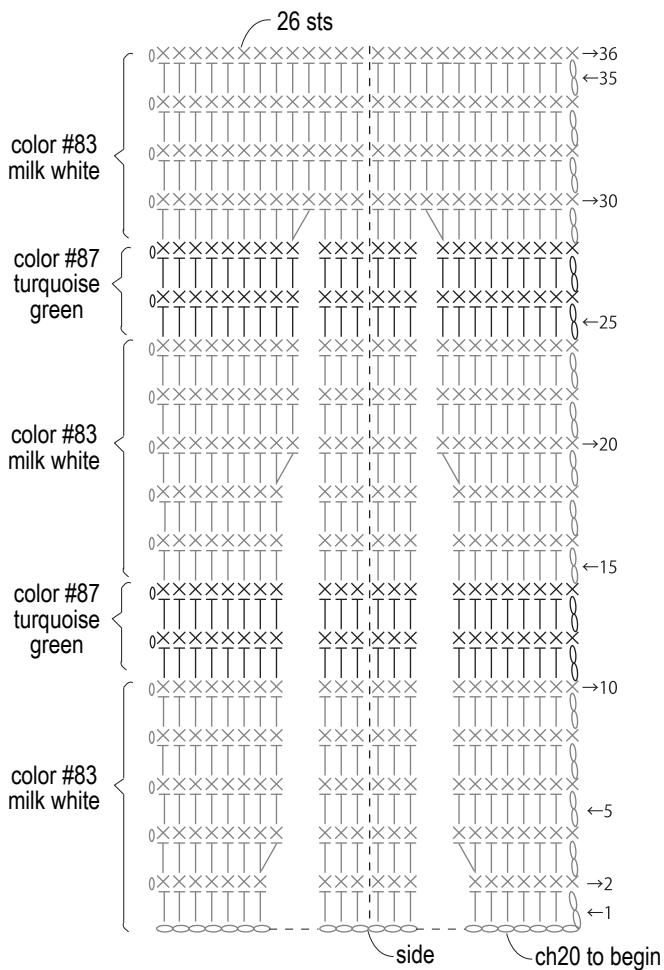
**Piece ②**

**Piece ①**

**Piece ②**

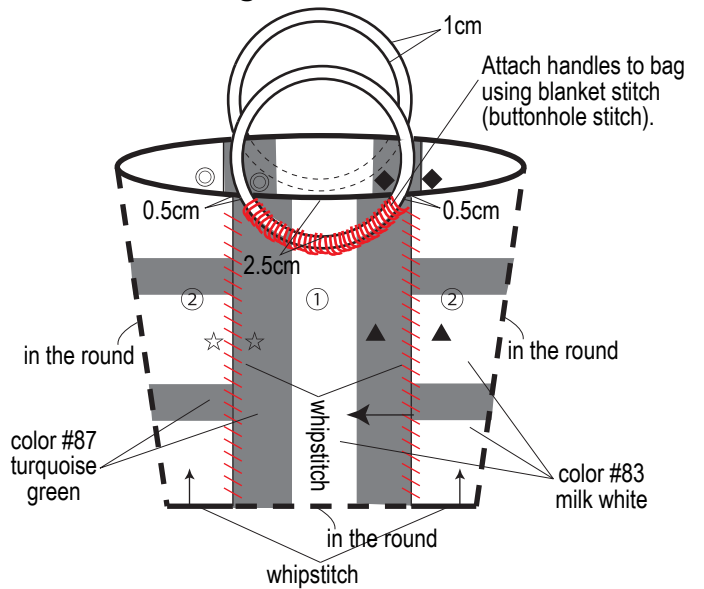


**Piece ②** 3.0mm hook, make 2



Fold on dotted lines. Align ◎ to ◎, ☆ to ☆, ▲ to ▲, and ◆ to ◆. Seam with whipstitch.

**Finishing**



**How to work blanket stitch (buttonhole stitch):**

