

216ss-25 Flower Bustier



Suggested yarn:

- Pierrot Yarns Pastel Lace [100% cotton; 339 yds/310m per 1.41 oz./40g skein];
 - color #12 aqua blue, 1 skein [35g]
 - color #13 dream lavender, 1 skein [30g]
- Pierrot Yarns Little Fun [100% cotton; 104 yds/95m per 1.41 oz./40g skein];
 - color #54 lovely heart, 3 skeins [85g]

Tools/Notions:

- 3.9mm (approx. US 6) knitting needles or size necessary to achieve gauge
- 3.0mm (approx. US C or D) crochet hook or size necessary to achieve gauge
- 1.25mm (approx. US steel hook #10) crochet hook or size necessary to achieve gauge

Finished measurements:

- chest 64cm/25.20"

Gauge (10cm/4" square):

- stockinette stitch: 21 sts and 22 rows
- large motif: 7cm/2.76" diameter
- small motif: 5cm/1.97" diameter

Gauge may vary according to individual knitting style. Change needle size if necessary to achieve gauge. Alternatively, rework pattern with your own gauge measurements.

Summary

Back: Cast on with long-tail cast-on method. Work in stockinette stitch. Bind off all stitches.

Front: Begin as for back. Work decreases as indicated. Bind off all stitches.

Finishing: Seam sides with mattress stitch. Crochet edging around upper and lower edges in the round. Make number of motifs indicated, then seam to front of garment. Crochet 2 shoulder straps in sc, then seam to garment with whipstitch.

Abbreviations:

BO = bind off

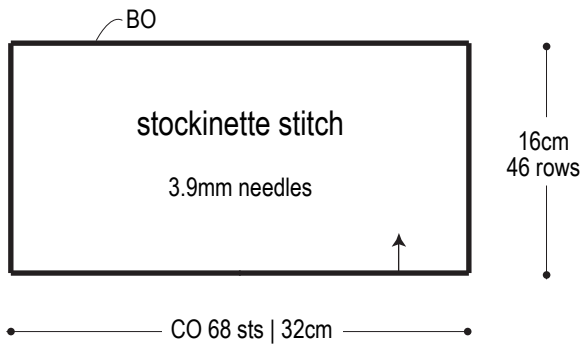
CO = cast on

RE = row(s) even

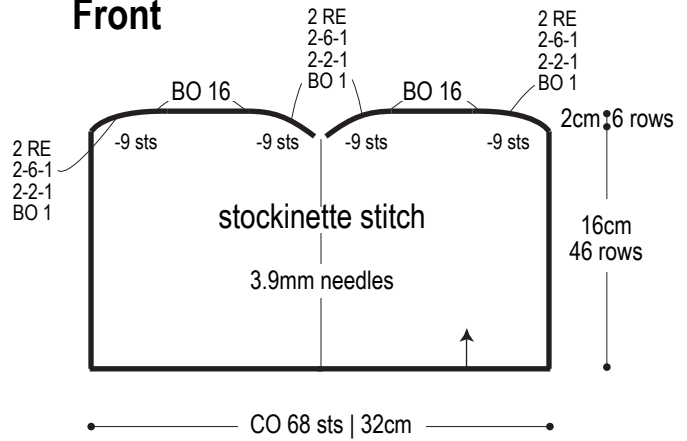
sc = single crochet (US)

= rows-stitches-times

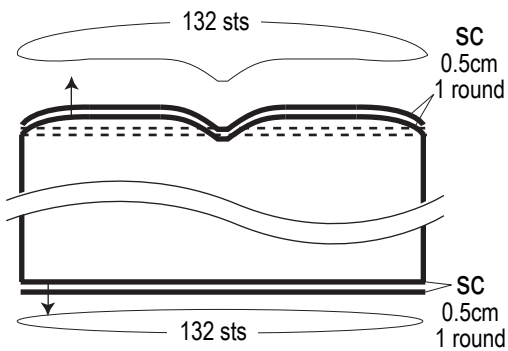
Back



Front

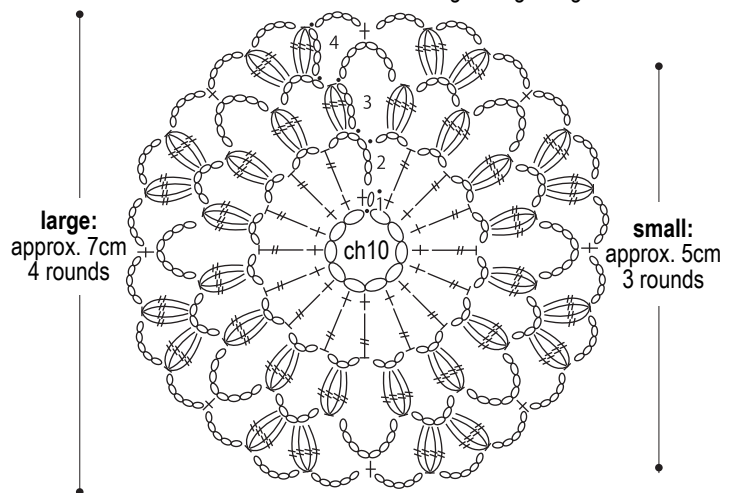


Edging 3.0mm hook

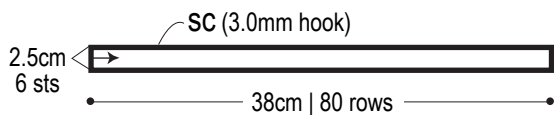


Motif 1.25mm hook

※Leave yarn tail approx. 20cm long at beginning of each motif.

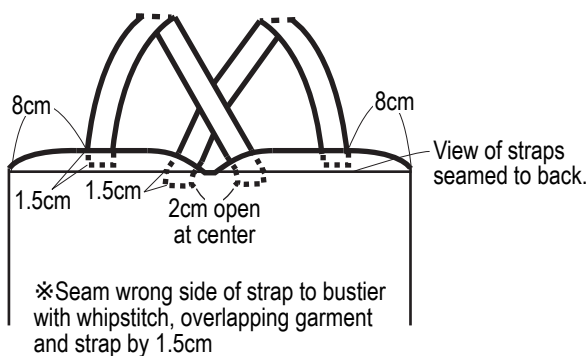


Shoulder strap (make 2)



motif size	color #12 aqua blue	color #13 dream lavender
large	7 motifs	6 motifs
small	20 motifs	20 motifs

Shoulder strap placement



Finishing

