

216ss-14 Lacy Summer Outfit



Suggested yarn:

- Pierrot Yarns Cotton Lace #20 [100% cotton; 170 yds/155m per 1.41 oz./40g skein];
 - color #204 cream yellow, 3 skeins [120g]
- Pierrot Yarns Carta [90% cotton, 10% silk; 133 yds/122m per 1.41 oz./40g skein];
 - color #55 limelight, 3 skeins [110g]

Tools/Notions:

- 3.3mm (approx. US 4) knitting needles or size necessary to achieve gauge
- 2.0mm (US steel hook #4) and 2.3mm (approx. US B) crochet hooks or sizes necessary to achieve gauge
- elastic for waistband (2.5cm/0.98" wide, 50cm/19.69" long)

Finished measurements:

- camisole:
 - chest 69cm/27.17"
 - cross back width 25cm/9.84"
 - back length 36cm/14.17"
- shorts:
 - pant length 28cm/11.02"
 - waist 48cm/18.90"
 - hip circumference 60cm/23.62"

Gauge (10cm/4" square):

- stockinette stitch: 27 sts and 40 rows
- pattern stitch (with 2.0mm hook) : 40 sts and 14 rows

Gauge may vary according to individual knitting style. Change needle size if necessary to achieve gauge. Alternatively, rework pattern with your own gauge measurements.

Summary

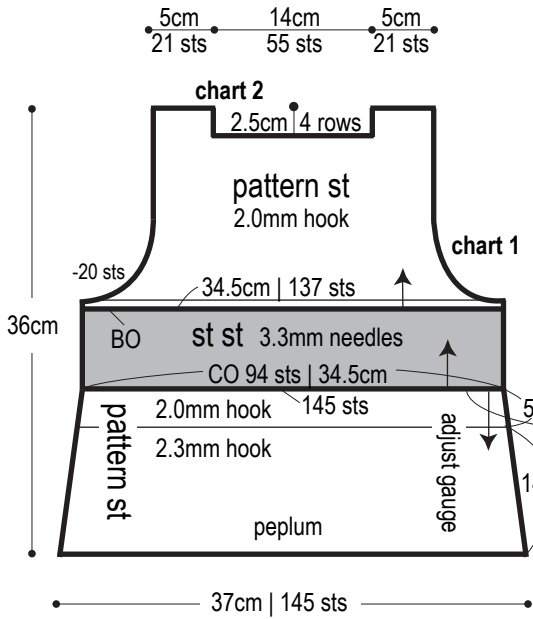
Camisole: Cast on with long-tail cast-on method. Work in stockinette stitch. Bind off. Working into knitted cast-on edge and bind-off edge, respectively, crochet upper and lower sections in pattern stitch. For lower crochet section, alter peplum gauge by using different hook sizes as indicated. Seam shoulders with woven seam. Seam sides with chain seam (alternating chain st and slip st as needed to maintain pattern). Crochet edging in the round around neckline and armholes.

Shorts: Cast on with long-tail cast-on method. Referring to schematic and chart, knit upper section of shorts in stockinette stitch. Bind off. Pick up stitches around bind-off edge; work waistband in stockinette stitch. Bind off. Crochet one round of sc edging along knitted cast-on edge. With crochet hook, work foundation chain to begin, starting with where marked with ☆ on chart. Adjust gauge for lower section (on both right and left sides) by changing hook size when indicated. Seam upper and lower sections together with right sides facing each other using whipstitch. Seam crotch and crotch rise with mattress stitch (knitted section) and chain seam (crocheted section). Insert elastic into waistband while folding it to inside; tack down bind-off edge of waistband to first round of waistband using whipstitch.

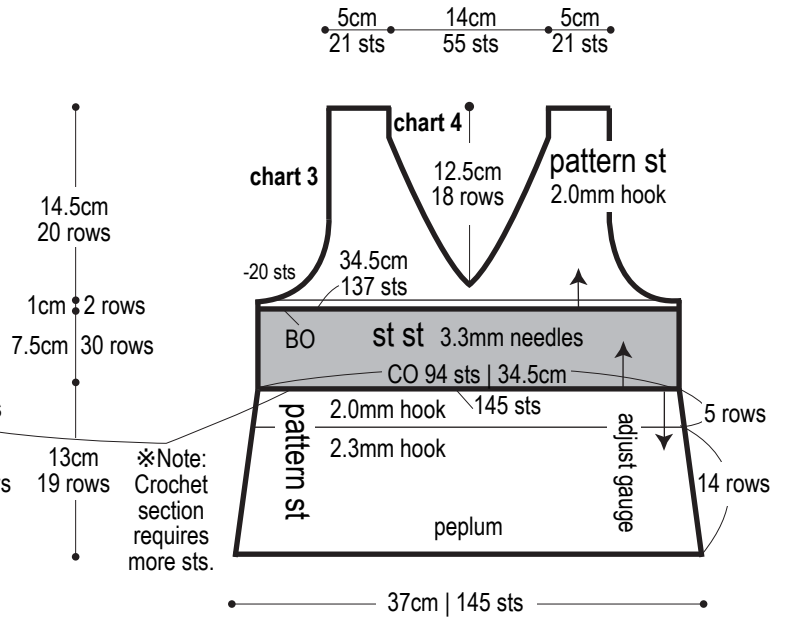
Abbreviations:

BO = bind off
ch = chain stitch
CO = cast on
sc = single crochet (US)
st st = stockinette stitch
= rows-stitches-times

Back



Front

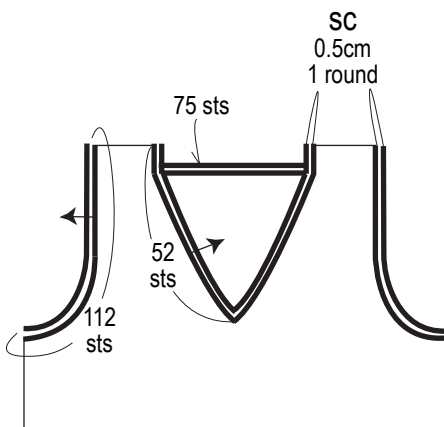


*Note: Crochet section requires more sts.

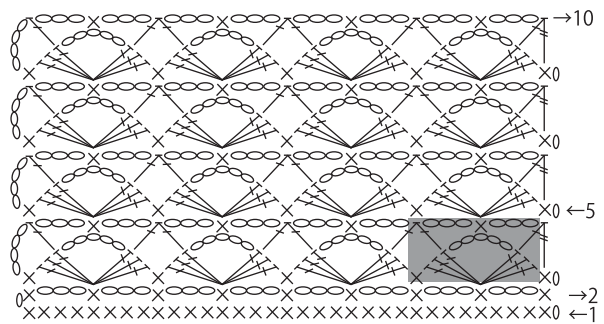
- * = Carta
- * Elsewhere, use New Cotton Lace #20.

Edging

2.0mm hook, New Cotton Lace #20

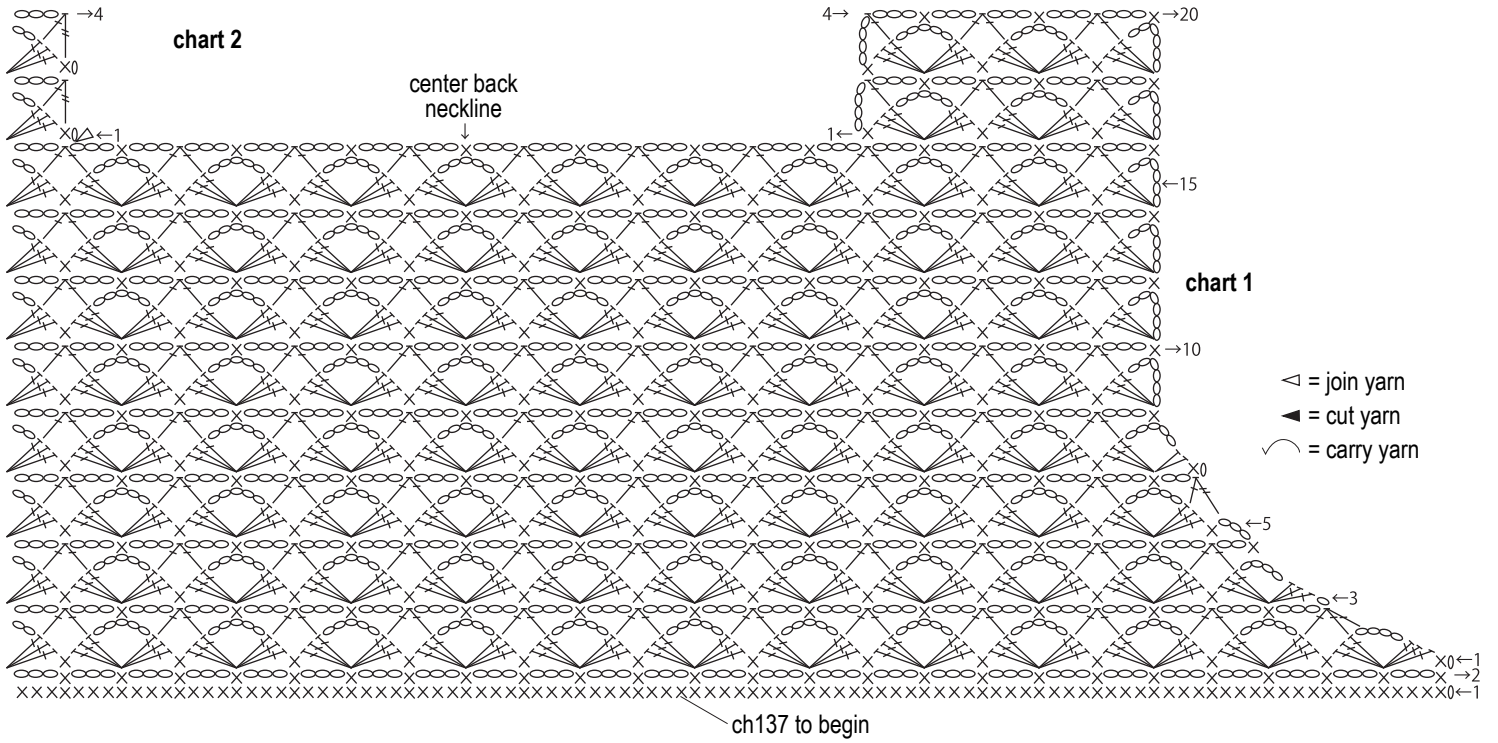


Pattern stitch 2.0mm & 2.3mm hooks

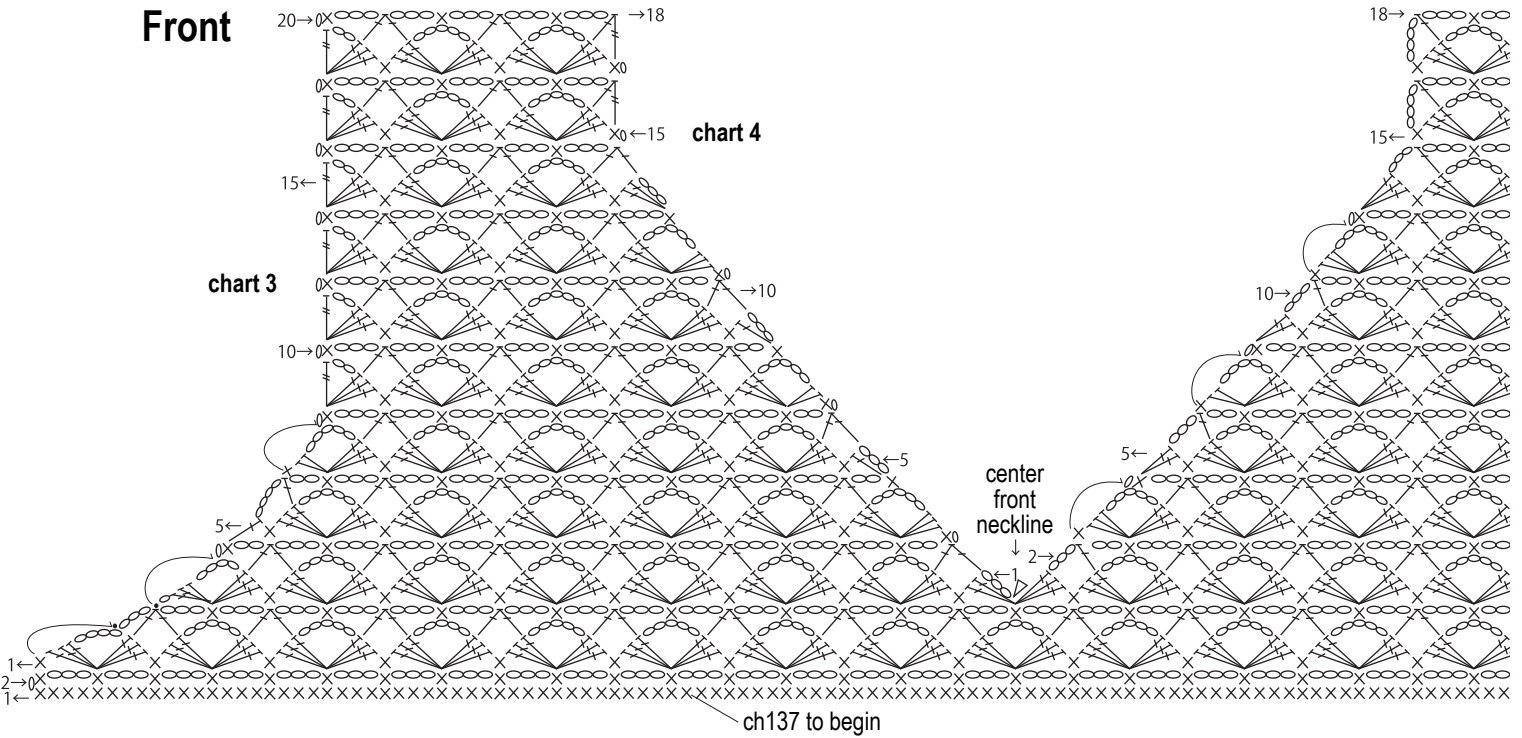


= 1 repeat = 8 sts & 2 rows

Back

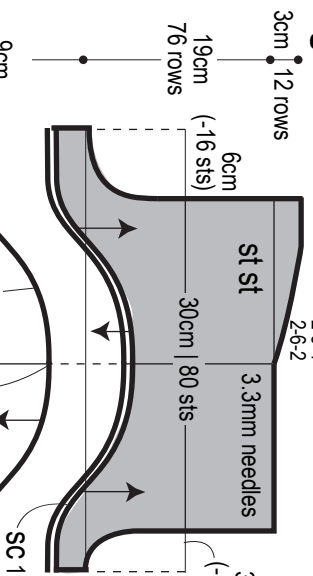


Front



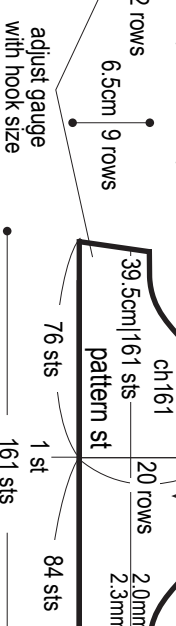
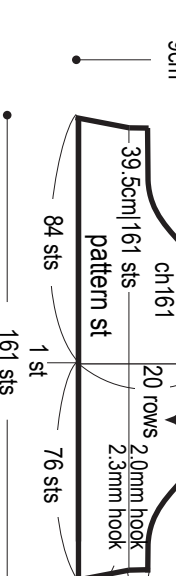
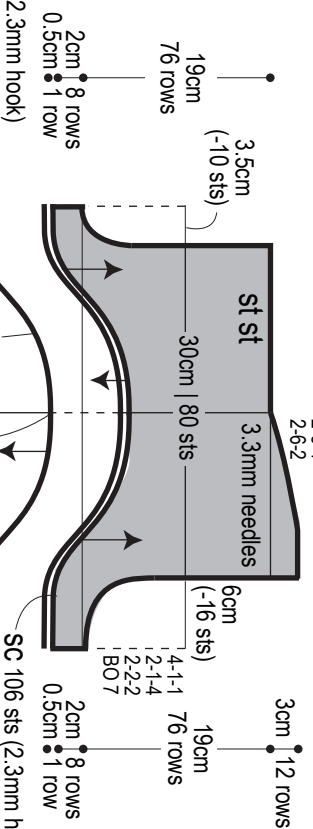
Shorts: right side

• 15cm | 40 sts • 15cm | 40 sts •



Shorts: left side

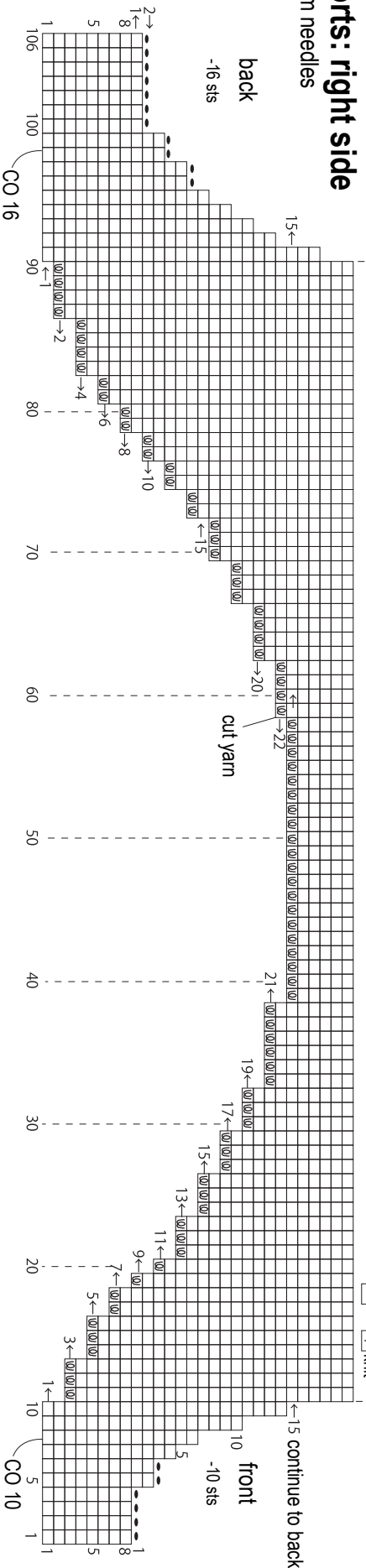
• 15cm | 40 sts • 15cm | 40 sts •



※ = Caria
Elsewhere, use New Cotton Lace #20.

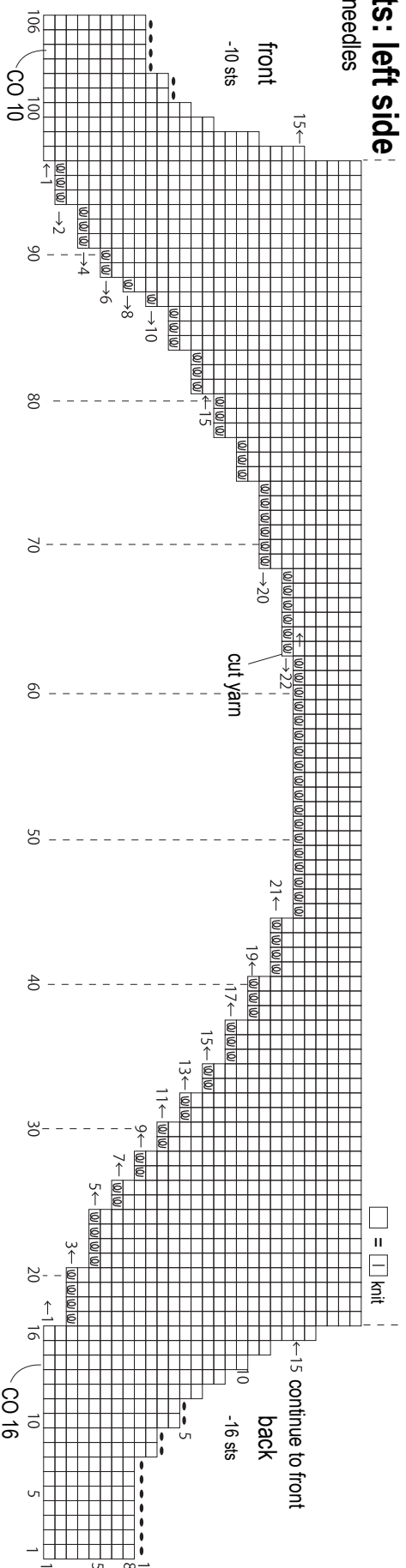
Shorts: right side

3.3mm needles



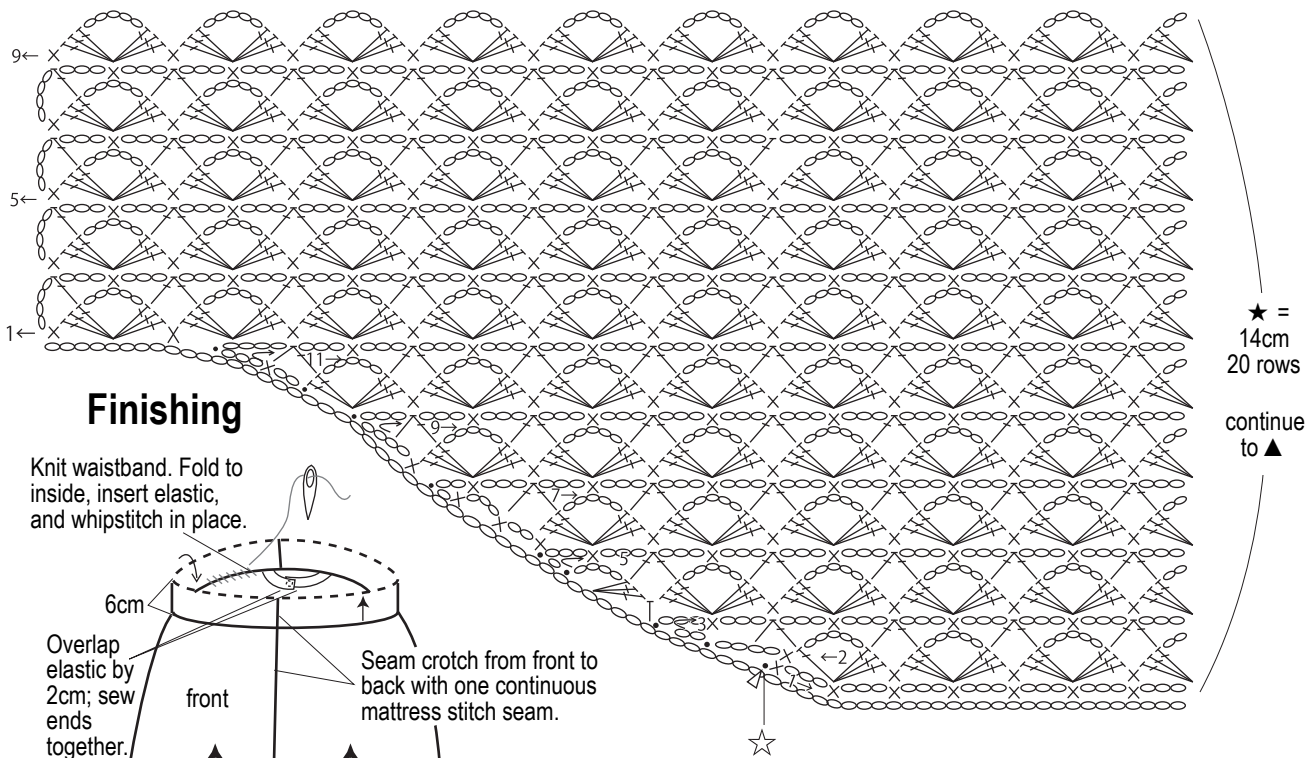
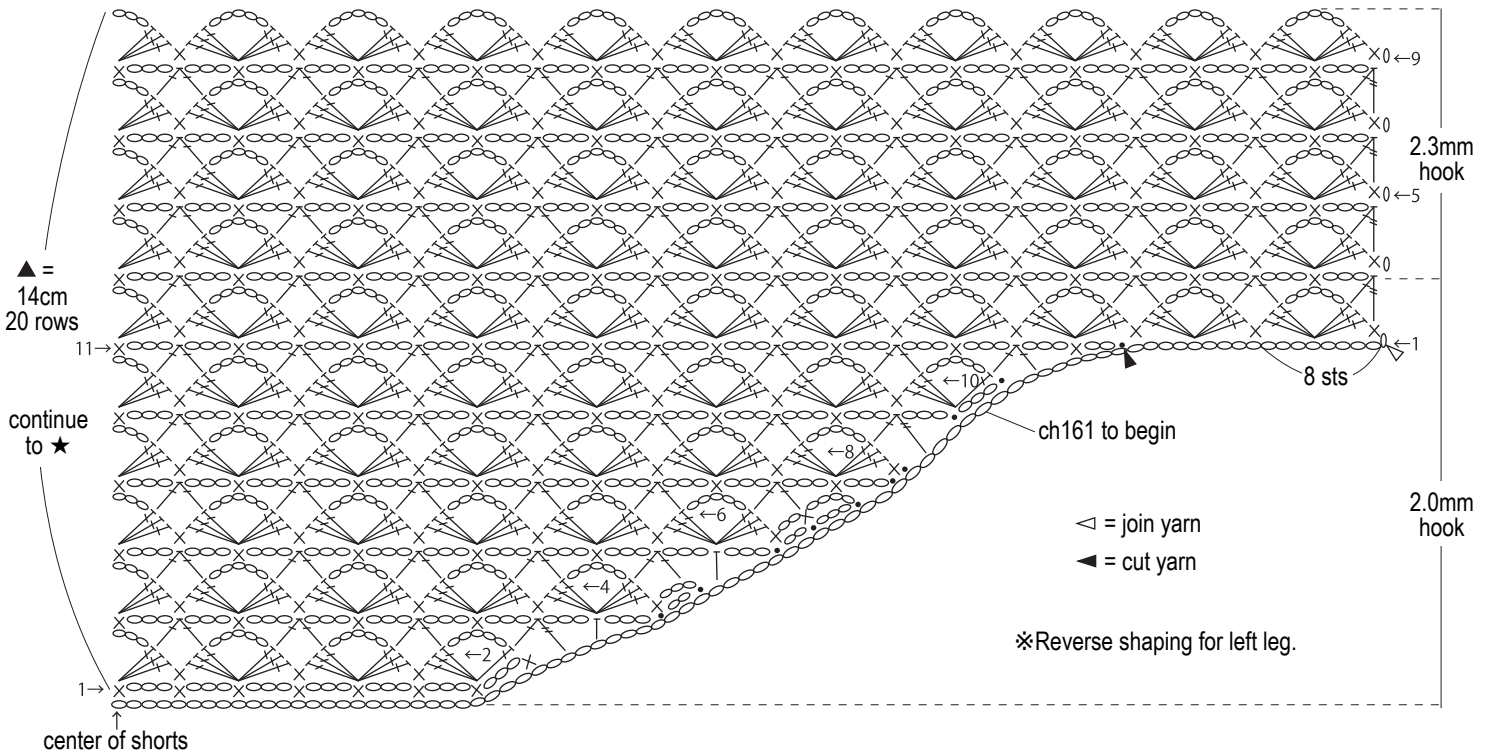
Shorts: left side

3.3mm needles



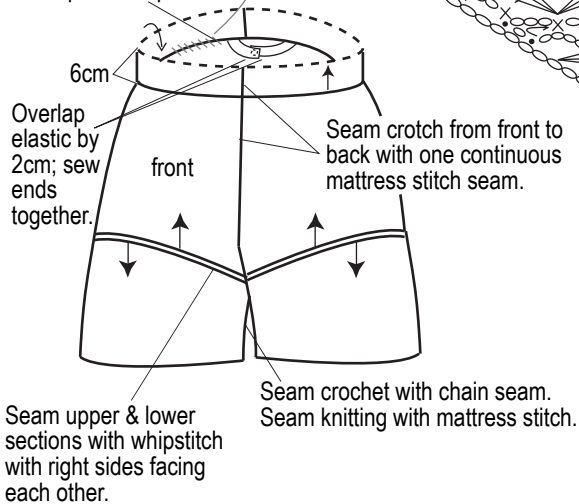
Right lower leg of shorts

*Reverse shaping for left leg.



Finishing

Knit waistband. Fold to inside, insert elastic, and whipstitch in place.



Waistband (make 2)

st st, 3.3mm needles, Carta

