

216ss-13 Star Tee



Suggested yarn:

- Pierrot Yarns Cotton Neat S [100% cotton; 104 yds/95m per 1.41 oz./40g skein];
 - color #09 navy, 4 skeins [160g]
 - color #18 mint green, 1 skein [5g]
 - color #23 carrot orange, 1 skein [4g]

Tools/Notions:

- 3.6mm (approx. US 5) and 3.9mm (approx. US 6) knitting needles or sizes necessary to achieve gauge

Finished measurements:

- chest 66cm/25.98"
- cross back width 26cm/10.24"
- back length 43.5cm/17.13"
- sleeve length 15cm/5.91"

Gauge (10cm/4" square):

- stockinette stitch: 21 sts and 28 rows
- intarsia pattern stitch: 21 sts and 31 rows
- pattern stitch: 19 sts and 31 rows
- k1p1 ribbing: 24 sts and 31 rows

Gauge may vary according to individual knitting style. Change needle size if necessary to achieve gauge. Alternatively, rework pattern with your own gauge measurements.

Summary

Back: Cast on with long-tail cast-on method. Work in k1p1 ribbing. Continue in pattern stitch, decreasing as indicated. Shape sides by working decreases and edges; shape armscye and neckline by binding off stitches and by working decreases at edges.

Front: Cast on with long-tail cast-on method. Work in k1p1 ribbing. Continue in intarsia pattern stitch. Shape sides by working lifted increases 1 stitch in from the edges.

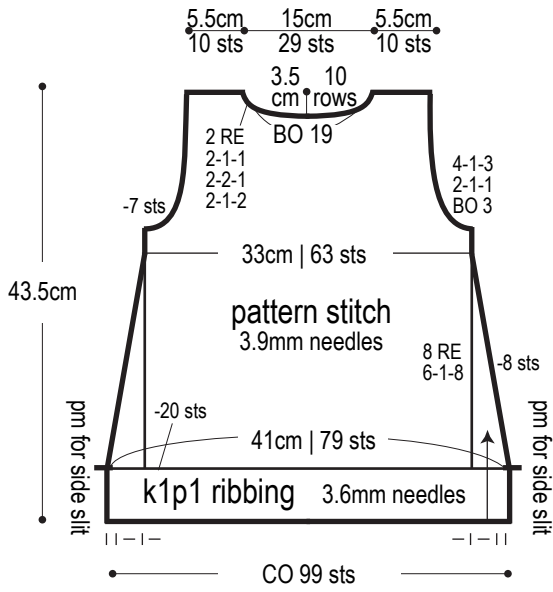
Sleeve (make 2): Cast on with long-tail cast-on method. Work in k1p1 ribbing. Continue in stockinette stitch. Shape sleeve edges with lifted increases. Shape sleeve cap by binding off stitches and working decreases at edges as indicated.

Finishing: Seam shoulders with crochet slip stitch seam. Seam sides with mattress stitch, leaving marked sections unseamed to form a side slit. Pick up stitches around cuff; work edging in k1p1 ribbing in the round. Bind off in pattern. Seam sleeves to body with crochet slip stitch seam.

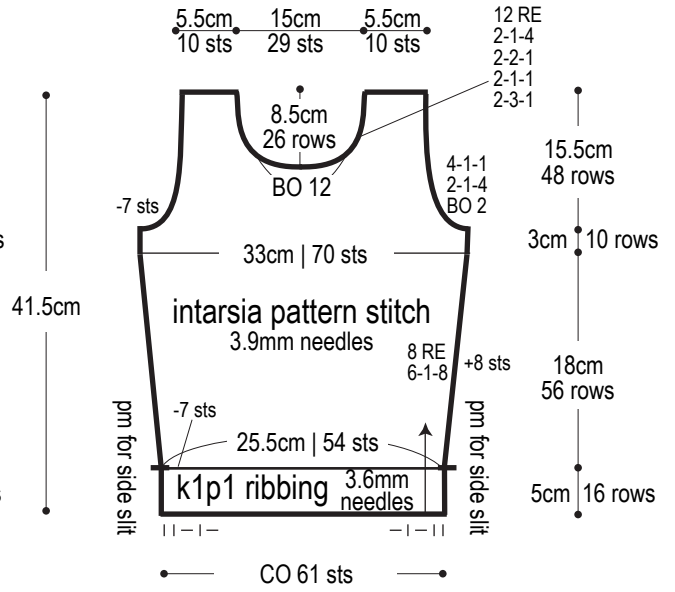
Abbreviations:

BO = bind off
CO = cast on
k = knit stitch
p = purl stitch
pm = place marker
PU = pick up
RE = row(s) even
= rows-stitches-times

Back

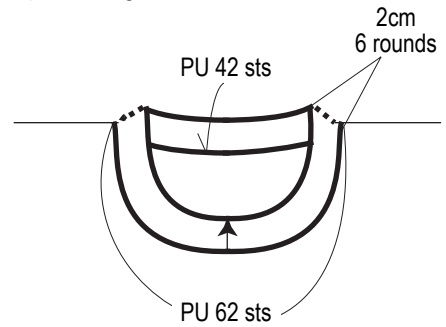


Front

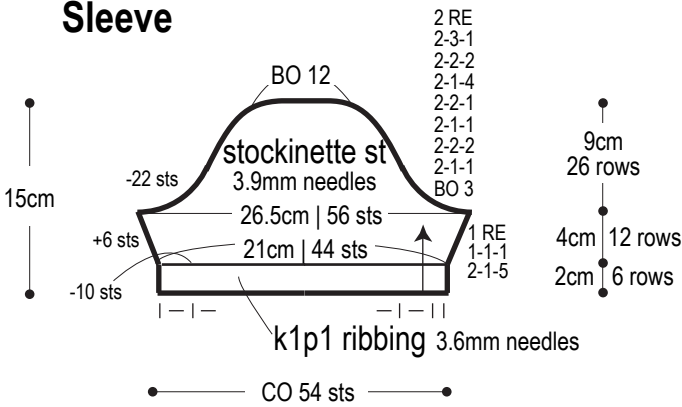


Finishing

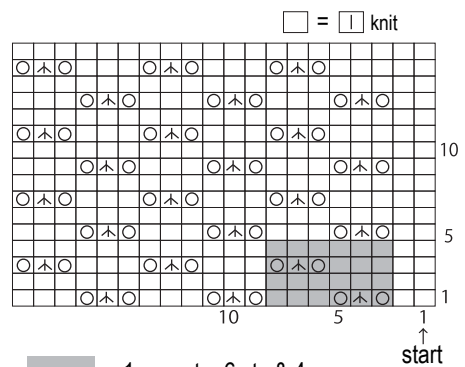
k1p1 ribbing, 3.6mm needles



Sleeve



Pattern stitch 3.9mm needles



★ = color #18 mint green

★ = color #23 carrot orange

※ Unless otherwise indicated, use color #08 navy everywhere else.

Front

intarsia pattern stitch
3.9mm needles

□ = 1 knit

