

26-301BABY Soft Undershirt



Suggested yarn:

- Pierrot Yarns Atoll Cotton 100 [100% cotton; 131 yds/120m per 1.41 oz./40g skein];
 - 0-6 months: color #5 yellow, 2 skeins [75g]
 - 3-12 months: color #7 blue, 2 skeins [80g]

Tools/Notions:

- 0-6 months:
 - 3.3mm (approx. US 4) knitting needles or size necessary to achieve gauge
 - 2.5mm (approx. US B or C) crochet hook or size necessary to achieve gauge
- 3-12 months:
 - 3.9mm (approx. US 6) knitting needles or size necessary to achieve gauge
 - 3.5mm (US E) crochet hook or size necessary to achieve gauge

Finished measurements:

- | | |
|-------------------------------|-------------------------------|
| • 0-6 months: | • 3-12 months: |
| • chest 58cm/22.83" | • chest 60cm/23.62" |
| • cross back width 22cm/8.66" | • cross back width 24cm/9.45" |
| • back length 28cm/11.02" | • back length 29.5cm/11.61" |

Gauge (10cm/4" square):

- pattern stitch (0-6 month size): 24 sts and 37 rows
- pattern stitch (3-12 month size): 22.5 sts and 35 rows

Gauge may vary according to individual knitting style. Change needle size if necessary to achieve gauge. Alternatively, rework pattern with your own gauge measurements.

Summary

Body: Cast on with long-tail cast-on method. Work in pattern stitch and garter stitch according to chart. Work front collar decreases at border between garter stitch and pattern stitch sections. Work increases at back collar using backwards loop cast-on increase, then continue in garter stitch.

Finishing: Seam shoulders with three-needle bind-off method. Seam center of back collar with crochet slip stitch seam. Seam sides with mattress stitch. Crochet 4 cords, then attach them to vest according to finishing schematic. Note that schematic shows traditional placement for a baby girl, with right front overlapping left front. To adjust for a baby boy, reverse placement of cords so that left front overlaps right front.

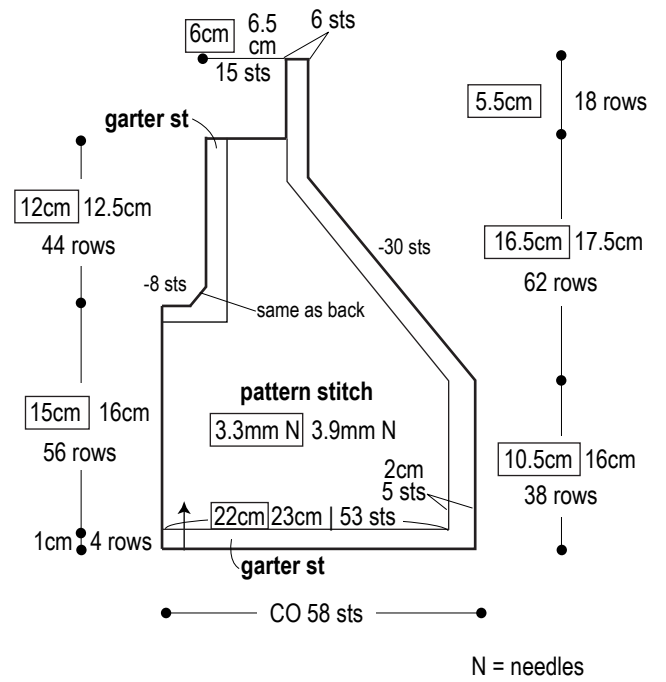
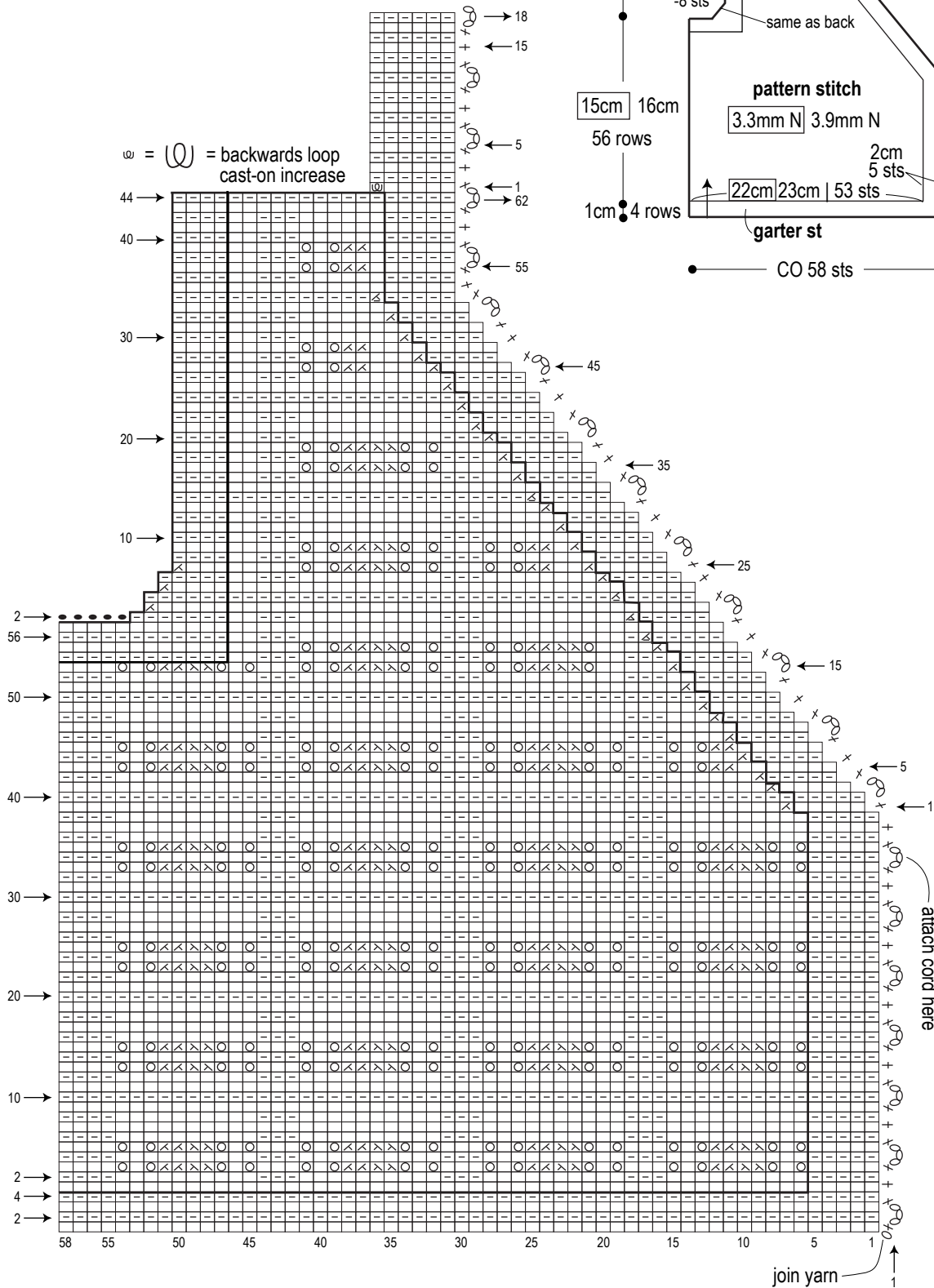
Abbreviations:

BO = bind off
ch = chain st (crochet)
CO = cast on
RE = row(s) even
#-#-# = rows-stitches-times

Right front

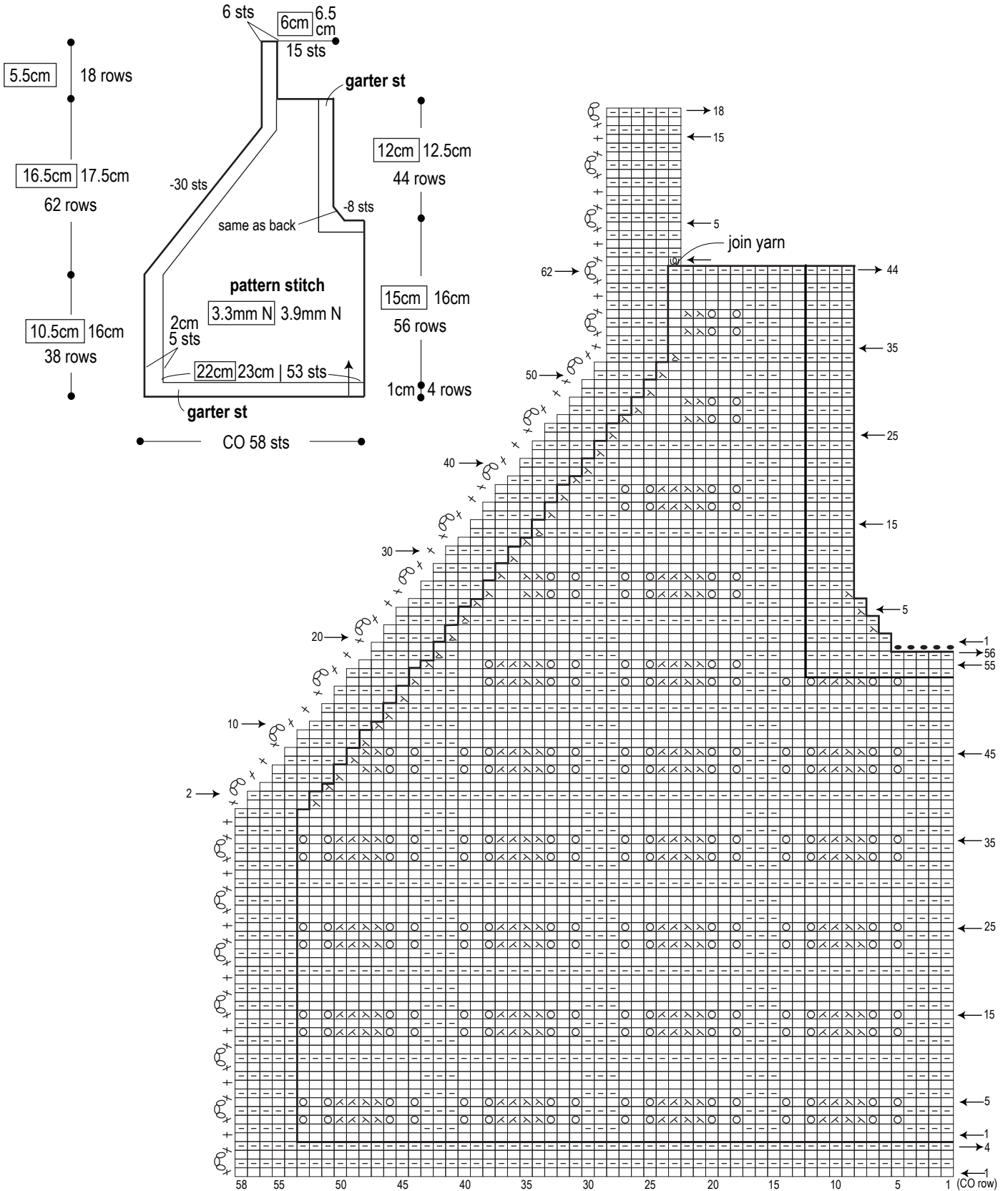
= 0-6 months
 no border = 3-12 months

※Where stitch and/or row counts are the same for both sizes, different measurements are obtained by using different needle sizes.

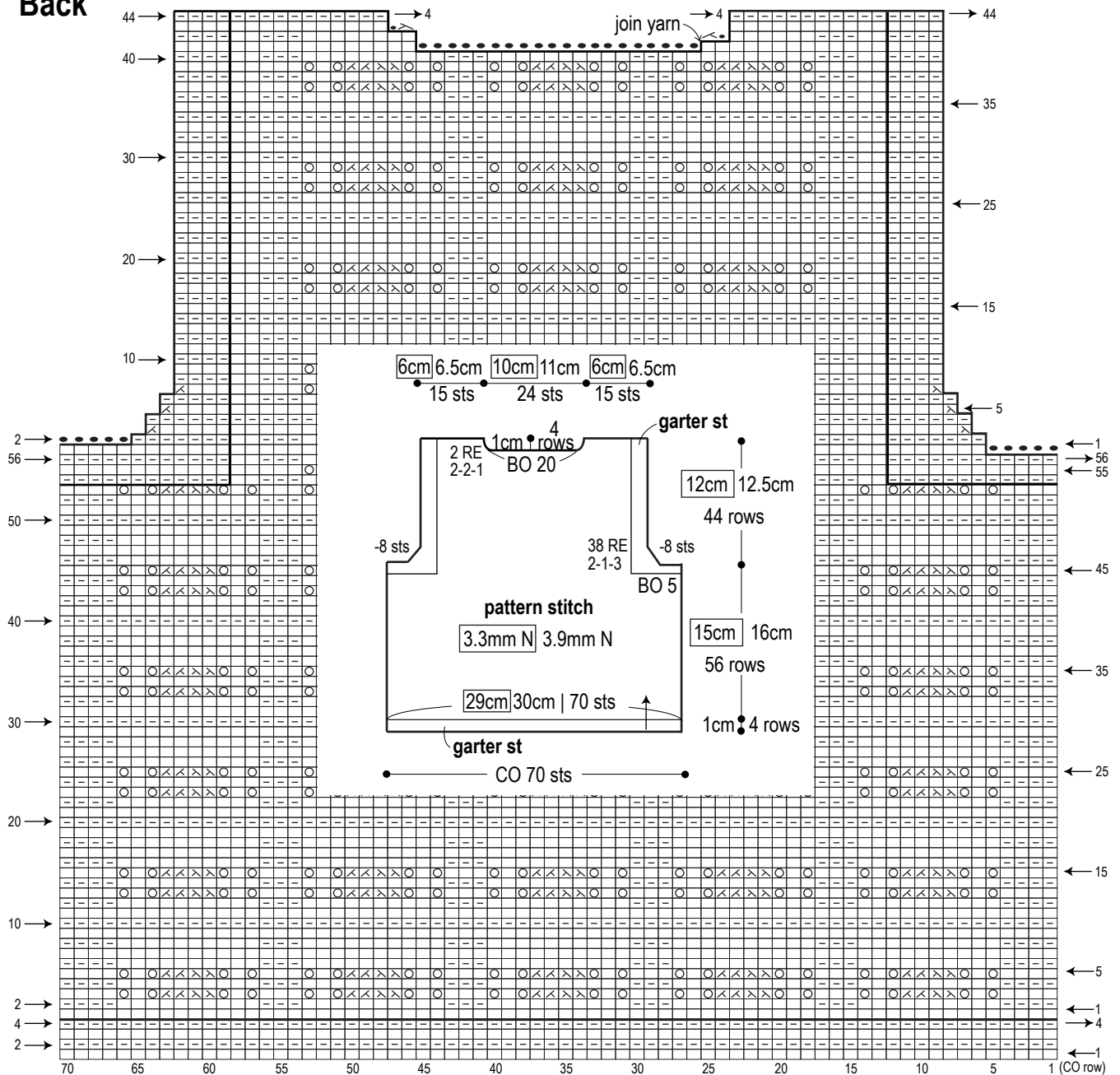


N = needles

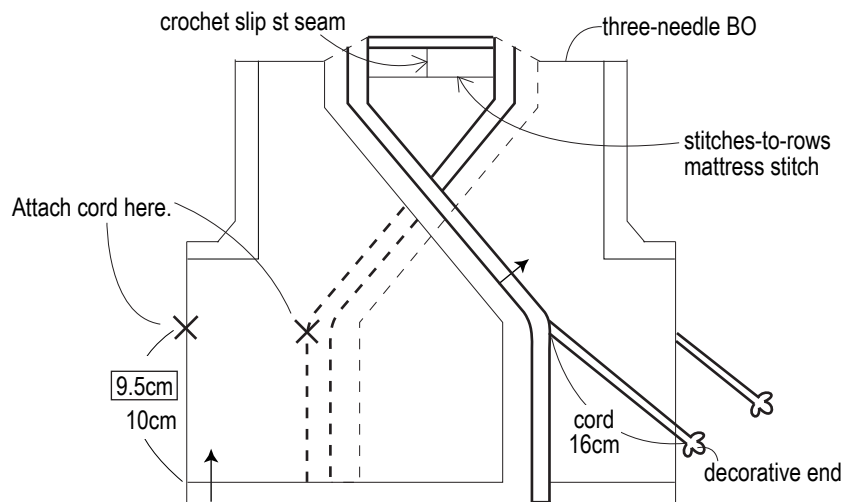
Left front



Back



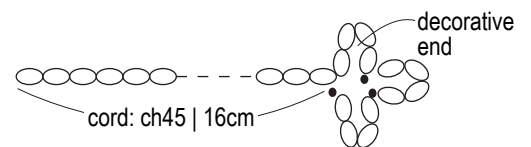
Front & collar edging



※Reverse placement of cords for a boy so that left front overlaps right front.

Cord (make 4)

2.5mm 3.5mm hook



※For the 2 cords that will be on the inside of the vest, you may omit the decorative end and knot the end instead..