

# Whips Kids' Muffler



## Suggested yarn:

- Pierrot Yarns Whips [58% acrylic, 30% nylon, 12% wool; 175 yds/160m per 1.41 oz./40g skein]; color #03 orange jello, 2 skeins [70g]

## Tools/Notions:

- 4.0mm (US G) crochet hook or size necessary to achieve gauge

## Finished measurements:

- width 15cm/5.91"
- length including fringe 177cm/69.69"

## Gauge (10cm/4" square):

- pattern stitch: 22 sts and 9 rows

*Gauge may vary according to individual crochet style. Change hook size if necessary to achieve gauge. Alternatively, rework pattern with your own gauge measurements.*

## Summary

✳️**Note:** Like all Japanese patterns, stitch counts given here for foundation chains do not include any chain sts needed for turning posts.

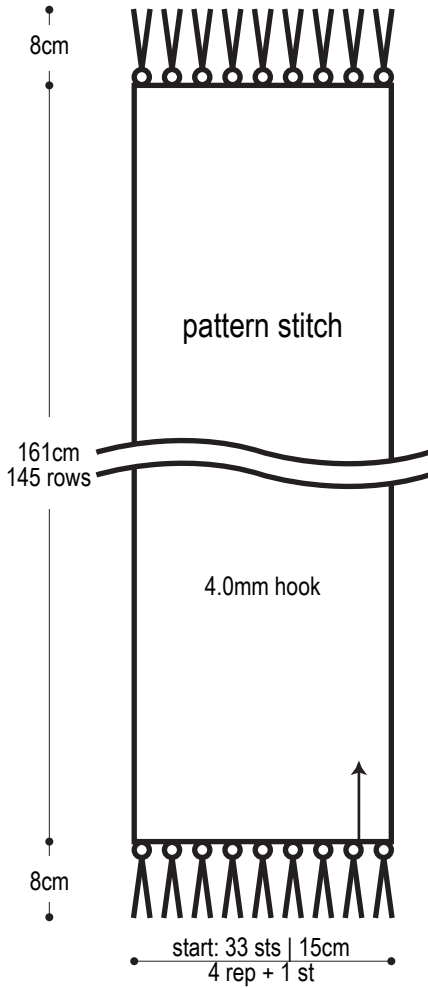
Work foundation chain to begin, then work in pattern stitch. Make fringe and attach to each end as indicated.

## Abbreviations:

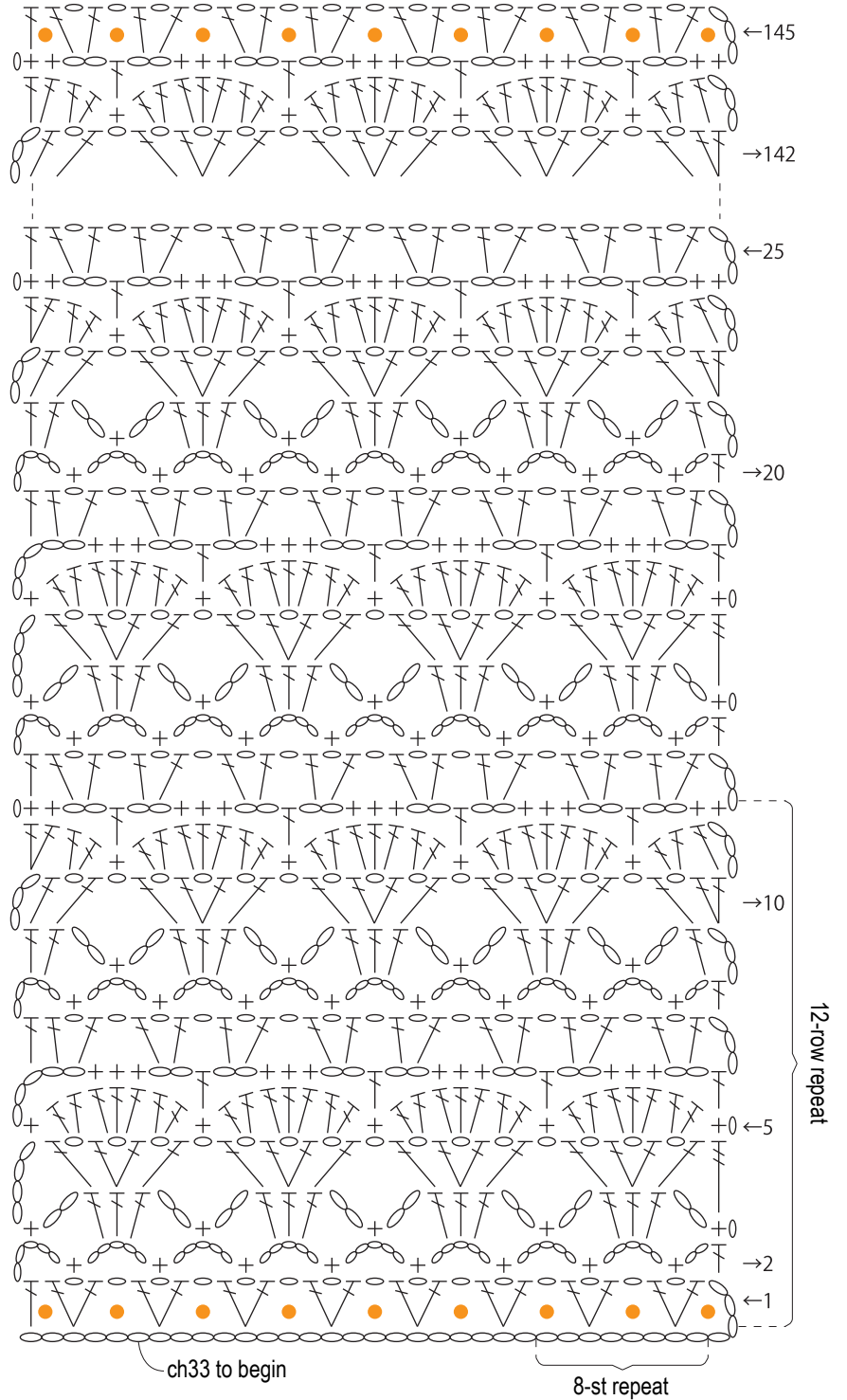
ch = chain

rep = pattern repeat(s)

# Scarf schematic



# Pattern stitch 4.0mm hook



● = fringe location

※Make fringe by cutting strands 23cm long. For each fringe, take 6 strands, fold in half, and knot to end of scarf in location indicated.