

215aw-12 Loiseau Bleu Flare



Suggested yarn:

- Pierrot Yarns Loiseau Bleu [100% merino wool; 79 yds/72m per 1.41 oz./40g skein]; color #05 chamomile, 8 skeins [310g]

Tools/Notions:

- 3.9mm (approx. US 6) and 4.5mm (US 7) knitting needles or size necessary to achieve gauge
- 4.0mm (US G) crochet hook or size necessary to achieve gauge

Finished measurements:

- chest 80cm/31.50"
- cross back width 27cm/10.63"
- back length 46cm/18.11"
- sleeve length 31cm/12.20"

Gauge (10cm/4" square):

- pattern stitch: 19 sts and 27 rows
- garter stitch: 19 sts and 40 rows

Gauge may vary according to individual knitting style. Change needle size if necessary to achieve gauge. Alternatively, rework pattern with your own gauge measurements.

Summary

Back, front, and sleeves: Cast on with long-tail cast-on method. Work in garter stitch and pattern stitch.

Front band: Pick up stitches along front edge. Work in garter stitch, decreasing at collar side (where the triangle piece will go later). Bind off when finished.

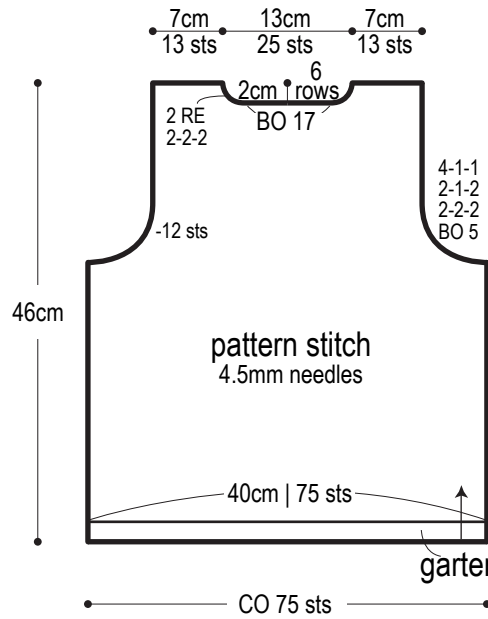
Triangle piece for chest: Cast on with long-tail cast-on method. Work in garter stitch while increasing at both sides. Bind off when finished.

Finishing: Seam shoulders with crochet slip stitch seam. Seam sides and sleeve undersides with mattress stitch. Seam sleeves to body with crochet slip stitch seam. Seam triangle piece to front band on right and left front with mattress stitch. With crochet hook, loosely work slip stitch around neckline.

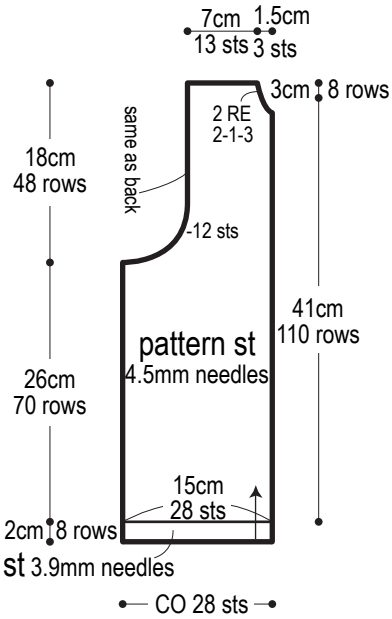
Abbreviations:

BO = bind off k = knit stitch CO = cast on PU = pick up RE = row(s) even ### = rows-stitches-times

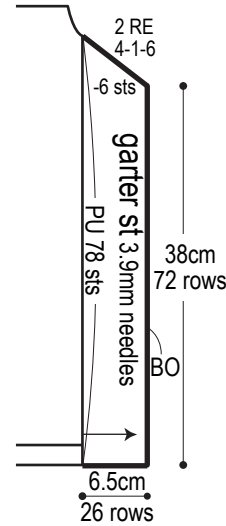
Back



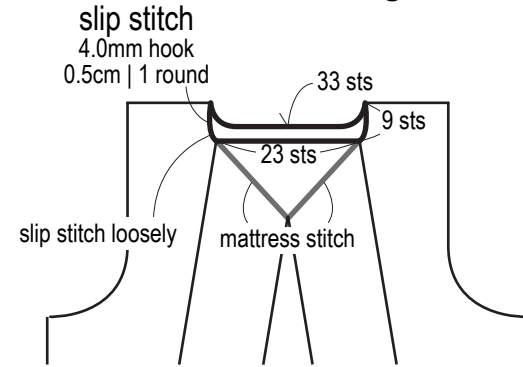
Front



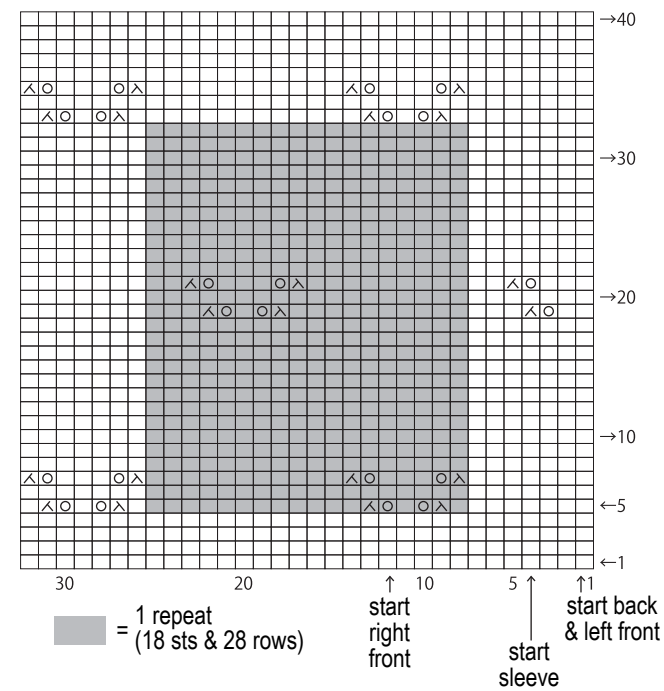
Front band



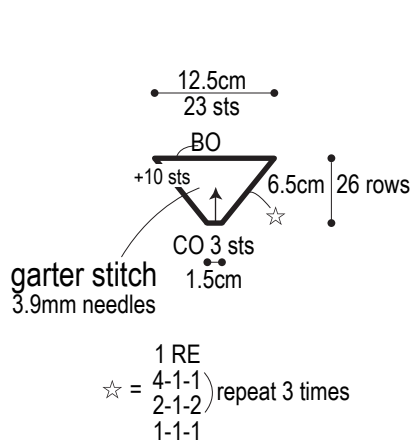
Finishing



Pattern stitch 4.5mm needles



Triangle piece



Sleeve

