

215aw-11 Girlish Melange Knit



Suggested yarn:

- Pierrot Yarns Alternate Wool [100% merino wool; 98 yds/90m per 1.41 oz./40g skein]; color #01 bouquet, 6 skeins [210g]

Tools/Notions:

- 3.6mm (approx. US 5) and 4.2mm (approx. US 6) knitting needles or sizes necessary to achieve gauge
- 3.6mm (approx. US 5) double-pointed knitting needles or size necessary to achieve gauge

Finished measurements:

- chest 70cm/27.56"
- center back neck-to-cuff 42.5cm/16.73"
- back length 38cm/14.96"

Gauge (10cm/4" square):

- pattern stitch: 21 sts and 29 rows

Gauge may vary according to individual knitting style. Change needle size if necessary to achieve gauge. Alternatively, rework pattern with your own gauge measurements.

Summary

Back & front: Cast on with long-tail cast-on method. Work edging in k2p2 ribbing, then continue in pattern stitch. Seam shoulders with crochet slip stitch seam.

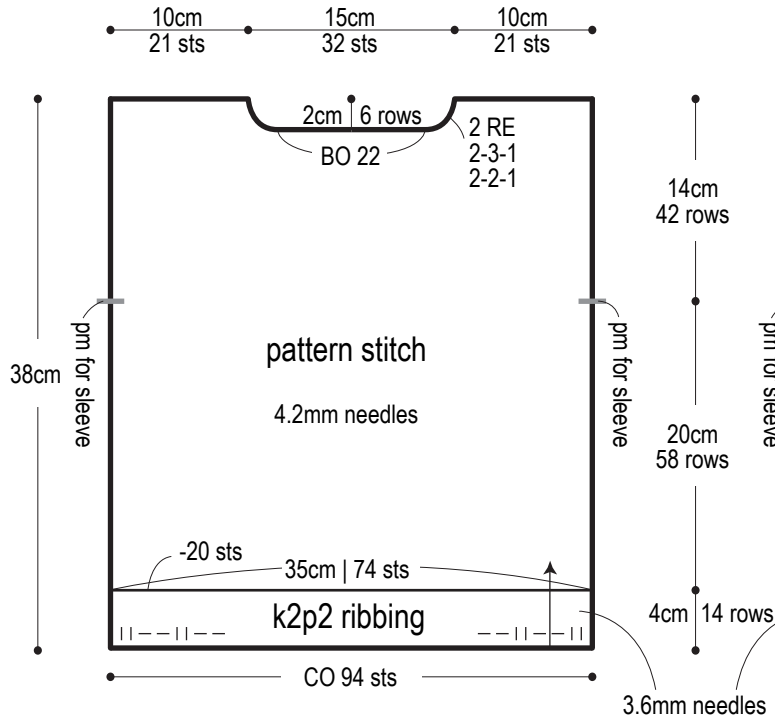
Sleeve (make 2): Pick up stitches from around armhole; work in pattern stitch and k2p2 ribbing according to schematic. Bind off in pattern.

Finishing: Seam sides and sleeve undersides with mattress stitch. Pick up stitches around neckline; work k2p2 ribbing in the round. Bind off in pattern.

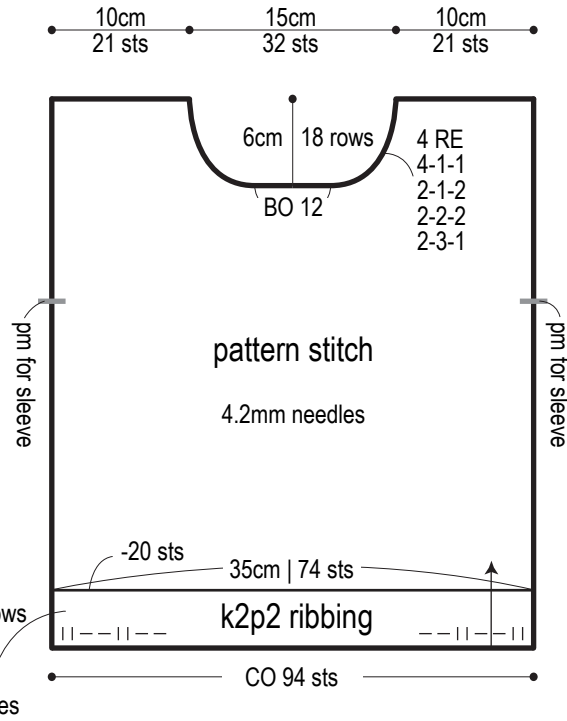
Abbreviations:

BO = bind off CO = cast on k = knit stitch p = purl stitch pm = place marker PU = pick up RE = row(s) even #-#-# = rows-stitches-times

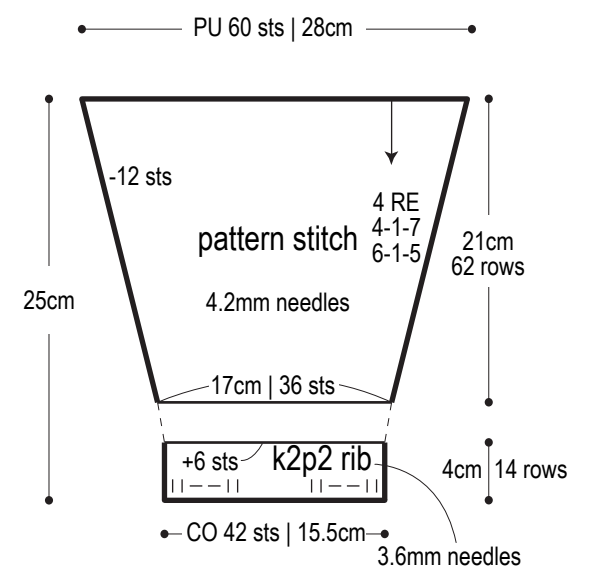
Back



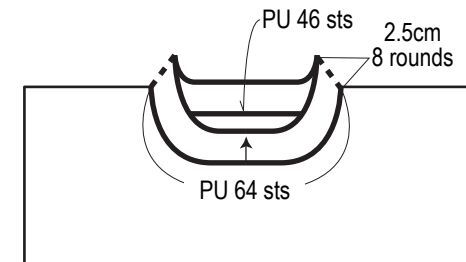
Front



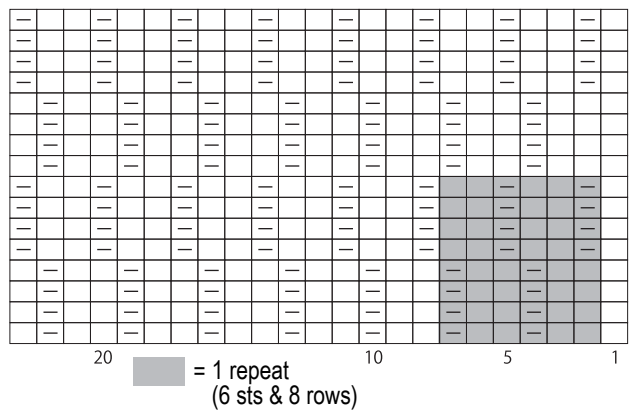
Sleeve



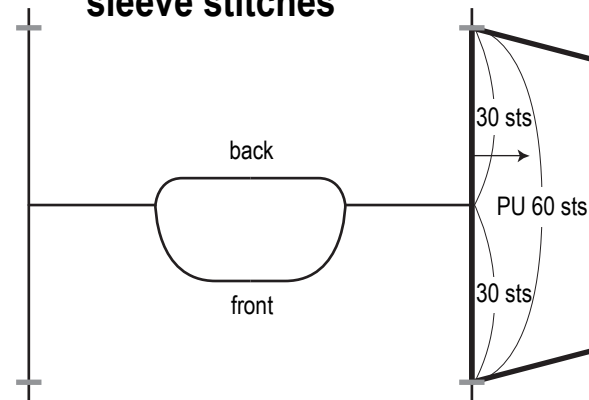
Neckline: k2p2 ribbing 3.6mm DPNs



Pattern stitch 4.2mm needles



How to pick up sleeve stitches



back

front