

215aw-07 Zigzag Pullover



Suggested yarn:

• Pierrot Yarns Wash a la Mode [70% acrylic, 30% wool; 138 yds/126m per 1.41 oz./40g skein];

• men's size:

- color #02 ivory, 2 skeins [50g]
- color #04 gold-brown, 1 skein [30g]
- color #10 green, 1 skein [25g]
- color #27 brown, 2 skeins [55g]
- color #29 dark gray, 7 skeins [260g]

• kids' size:

- color #03 orange, 1 skein [15g]
- color #13 turquoise, 1 skein [15g]
- color #04 gold-brown, 1 skein [30g]
- color #15 navy blue, 4 skeins [135g]
- color #28 silver gray, 1 skein [25g]

Tools/Notions:

- 3.3mm (approx. US 4) and 3.9mm (approx. US 6) knitting needles or sizes necessary to achieve gauge
- 3.3mm (approx. US 4) double-pointed knitting needles or size necessary to achieve gauge

Finished measurements:

• men's size:

- chest 101cm/39.76"
- center back neck-to-cuff 83cm/32.68"
- back length 69.5cm/27.36"

• kids' size:

- chest 74cm/29.13"
- center back neck-to-cuff 54.5cm/21.46"
- back length 48.5cm/19.09"

Gauge (10cm/4" square):

- stockinette stitch & colorwork pattern stitch: 21 sts and 26 rows

Gauge may vary according to individual knitting style. Change needle size if necessary to achieve gauge. Alternatively, rework pattern with your own gauge measurements.

Summary

Body: Cast on with long-tail cast-on method; work in k1p1 ribbing. Continue in stockinette stitch and pattern stitch (carrying unused color across back of work). Shape raglan edges by working decreases at edges as indicated.

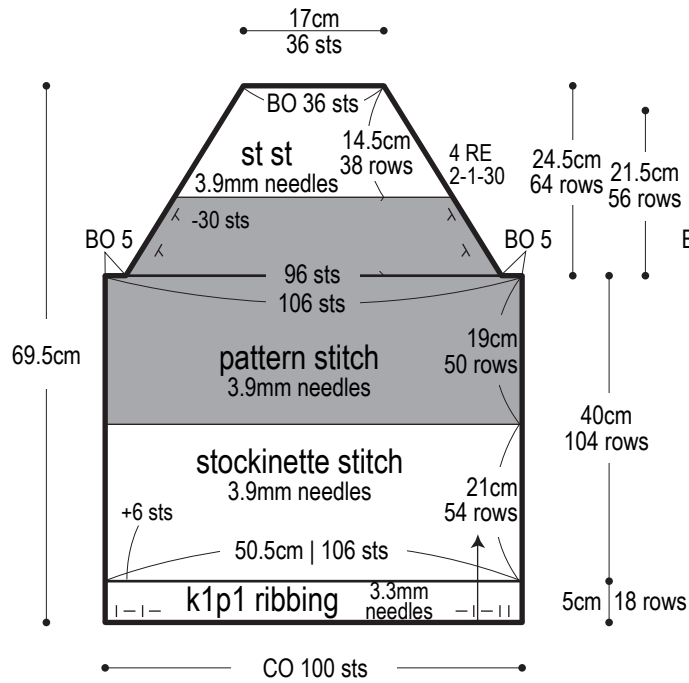
Finishing: Seam raglan edges with mattress stitch. Seam underarm gusset with Kitchener stitch. Seam sides from hem to cuff with mattress stitch. Pick up stitches around neckline; work k1p1 ribbing in the round. Bind off in pattern stitch.

Abbreviations:

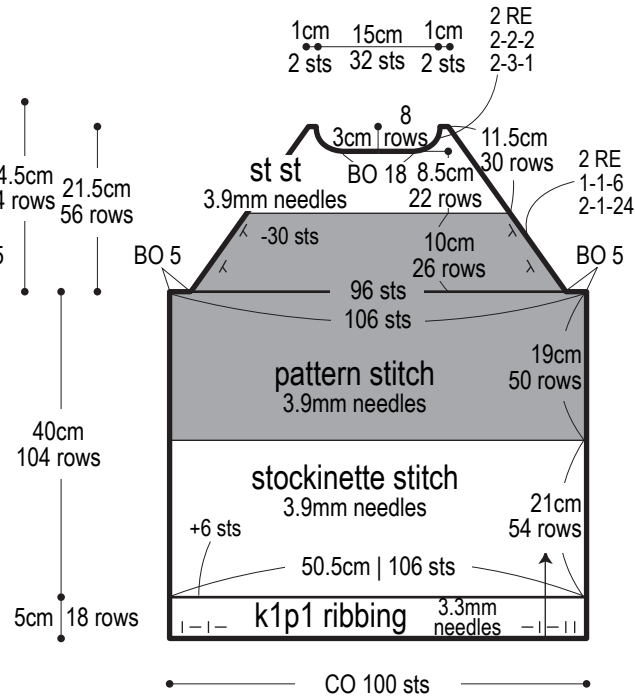
BO = bind off CO = cast on k = knit p = purl PU = pick up RE = row(s) even st st = stockinette stitch #-#-# = rows-stitches-times

Men's size

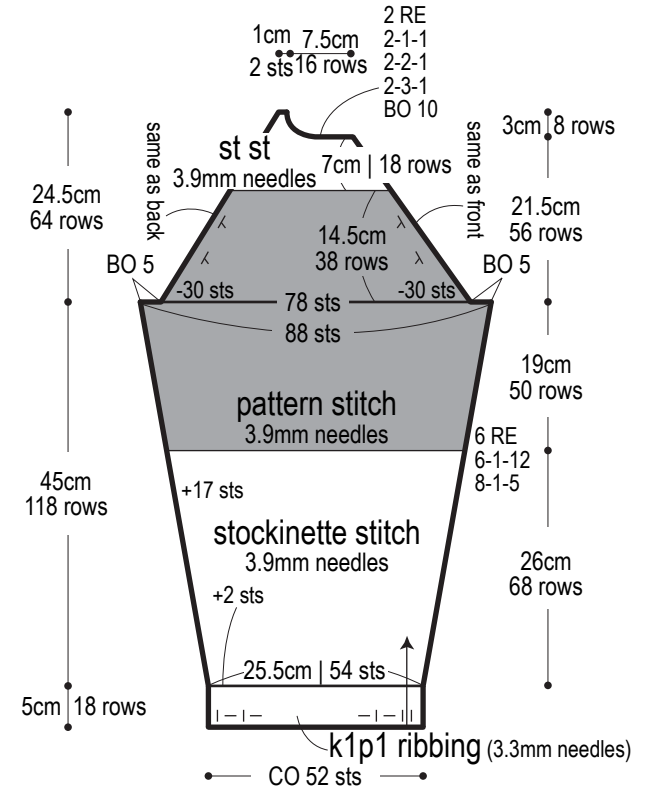
Back



Front

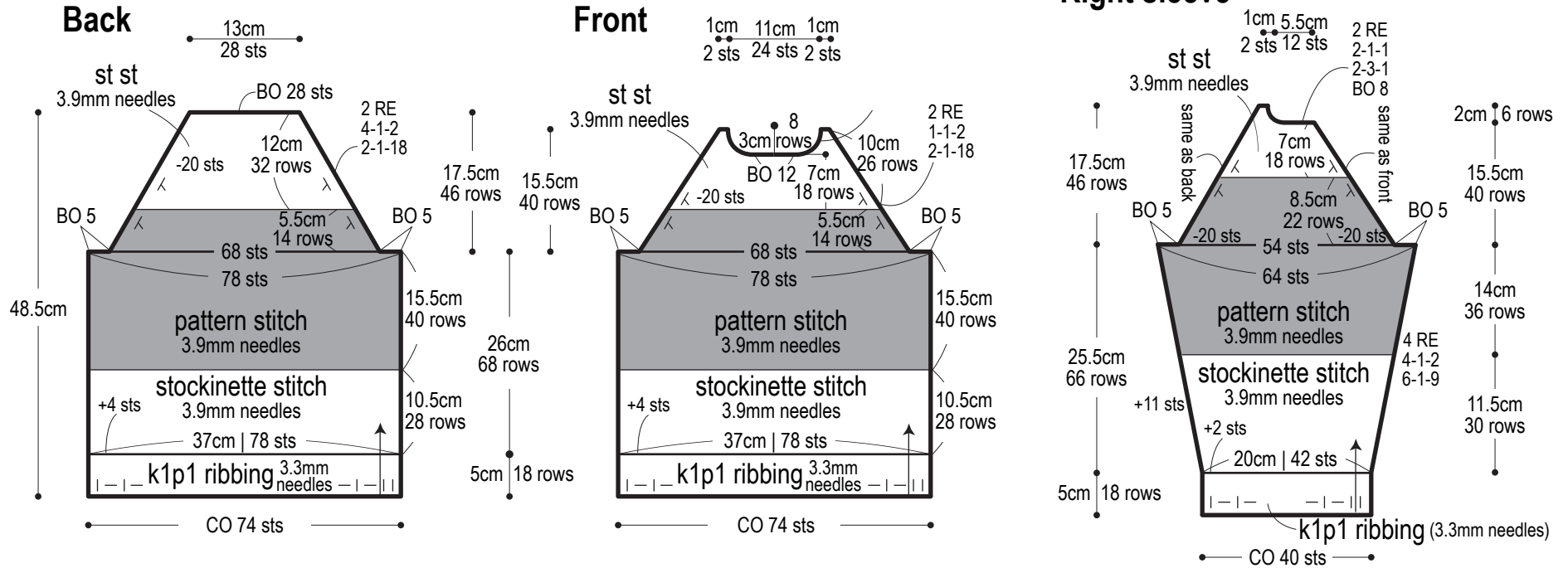


Right sleeve



※Reverse shaping for left sleeve.

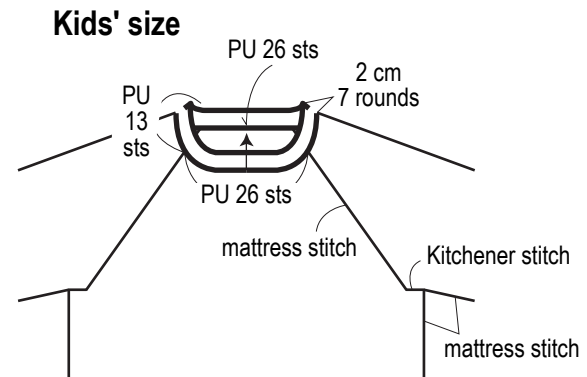
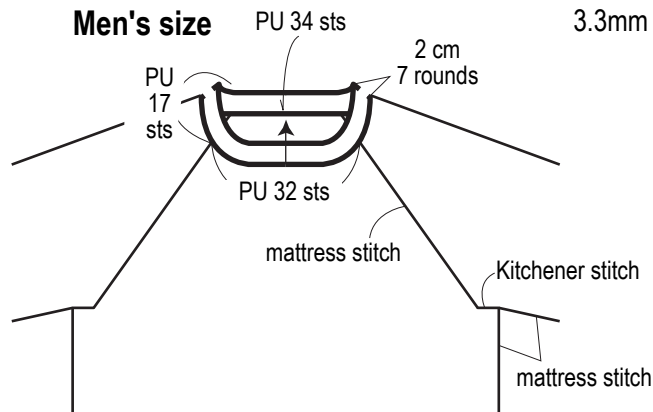
Kids' size



*Reverse shaping for left sleeve.

Collar: k1p1 ribbing

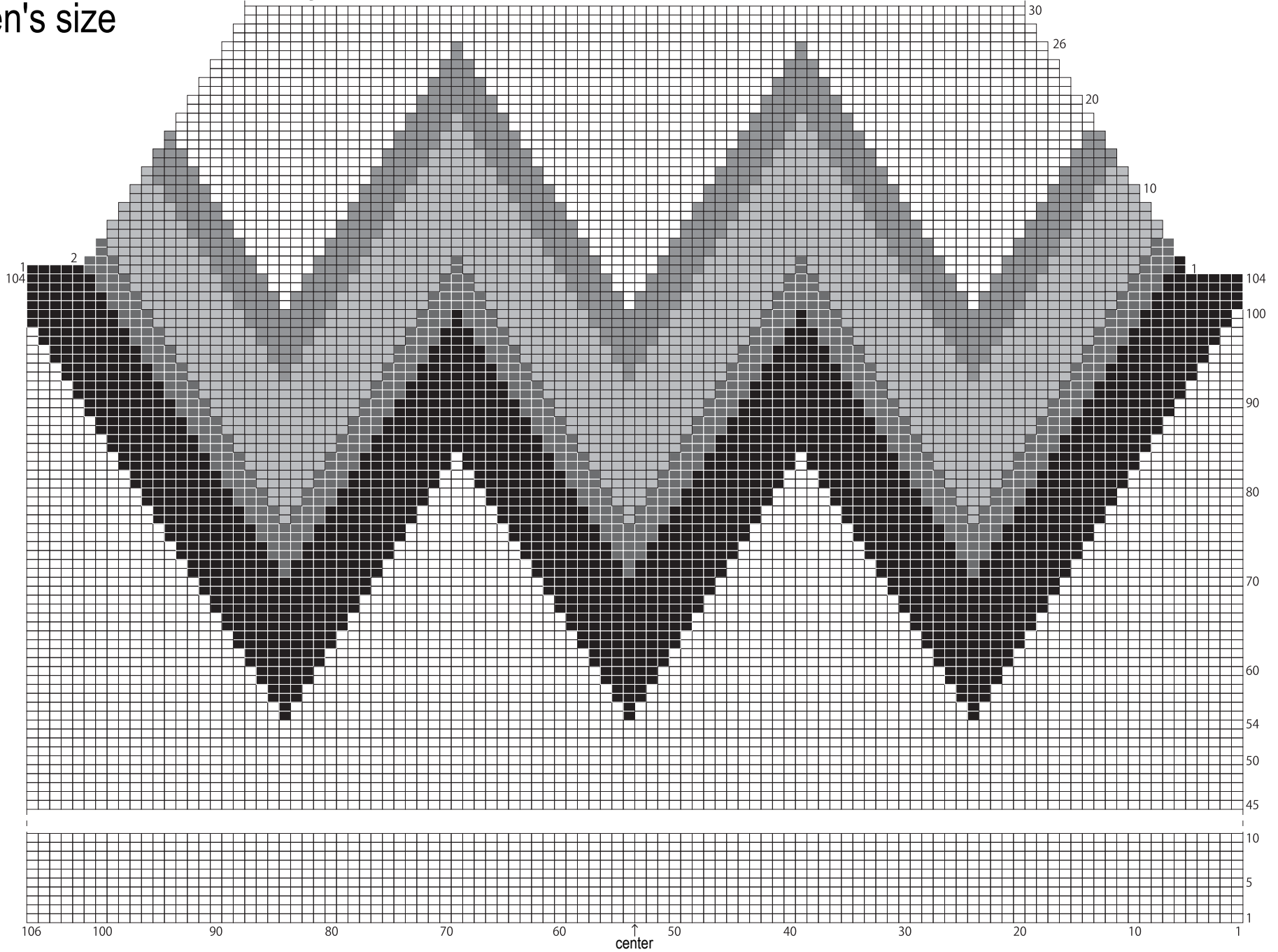
3.3mm DPNs



Men's size

Body: pattern stitch 3.9mm needles

□ = □ knit



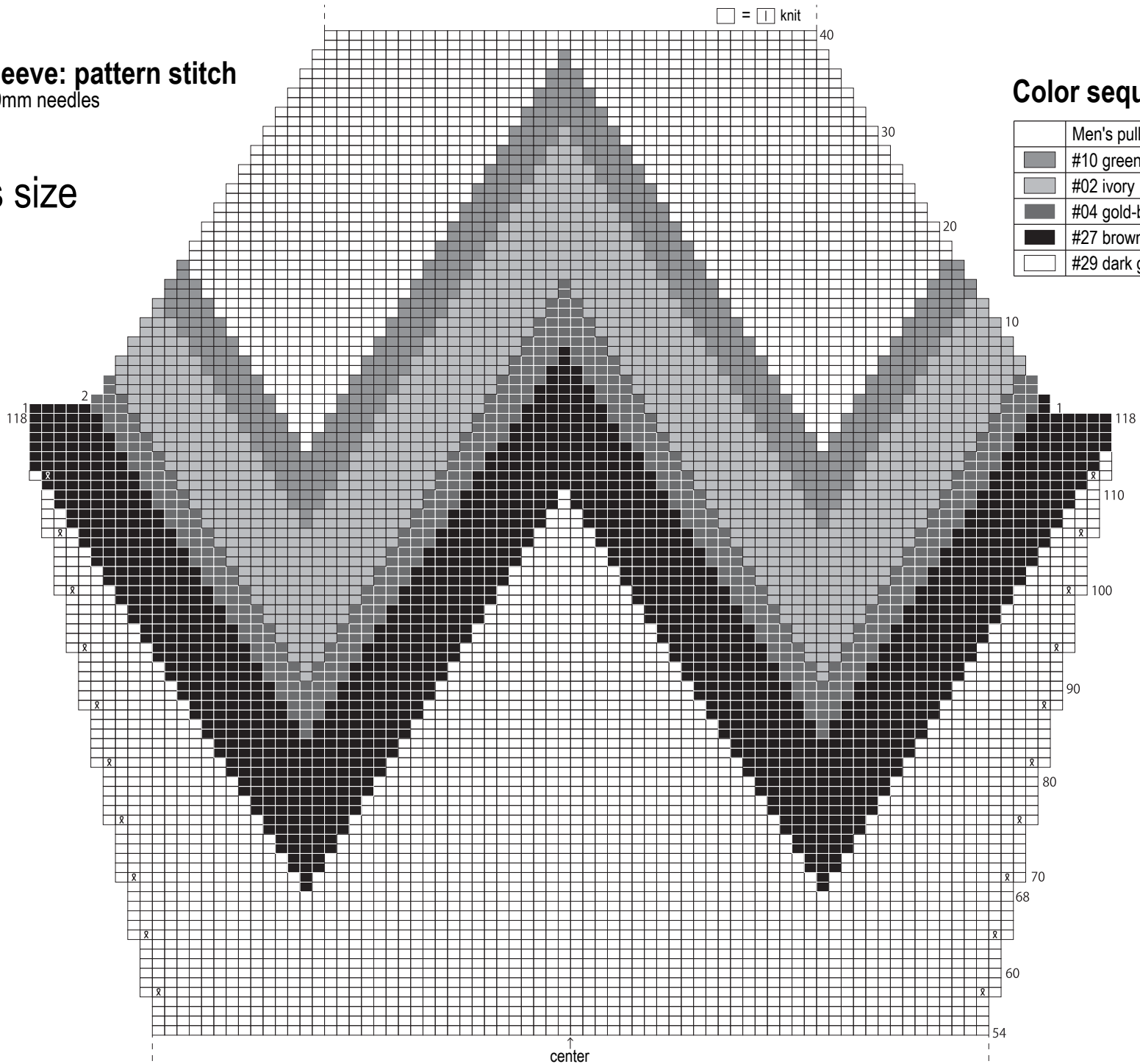
Sleeve: pattern stitch
3.9mm needles

Men's size

□ = 1 knit
40
30
20
10

Color sequence

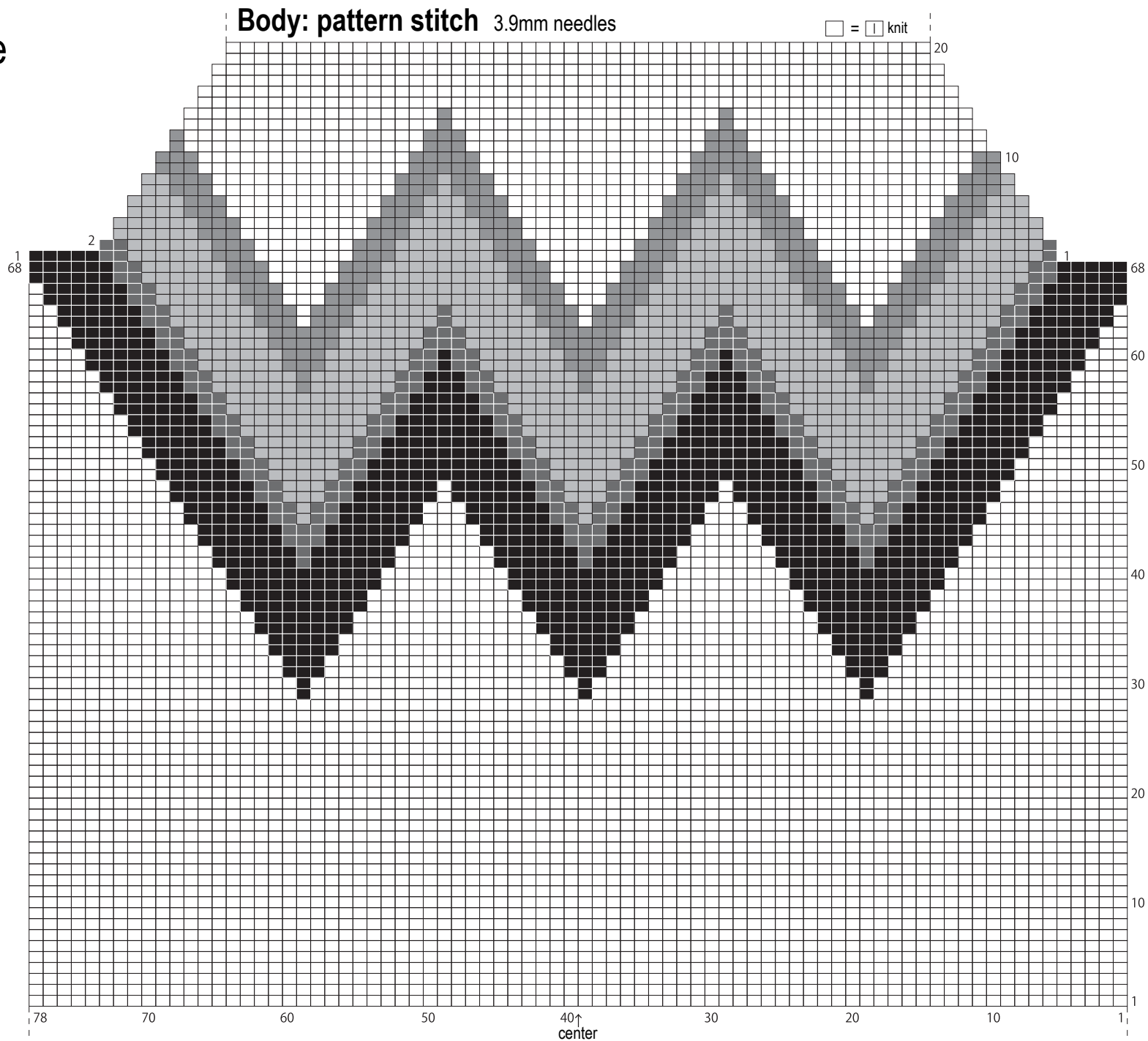
Men's pullover	
■	#10 green
■	#02 ivory
■	#04 gold-brown
■	#27 brown
□	#29 dark gray



Kids' size

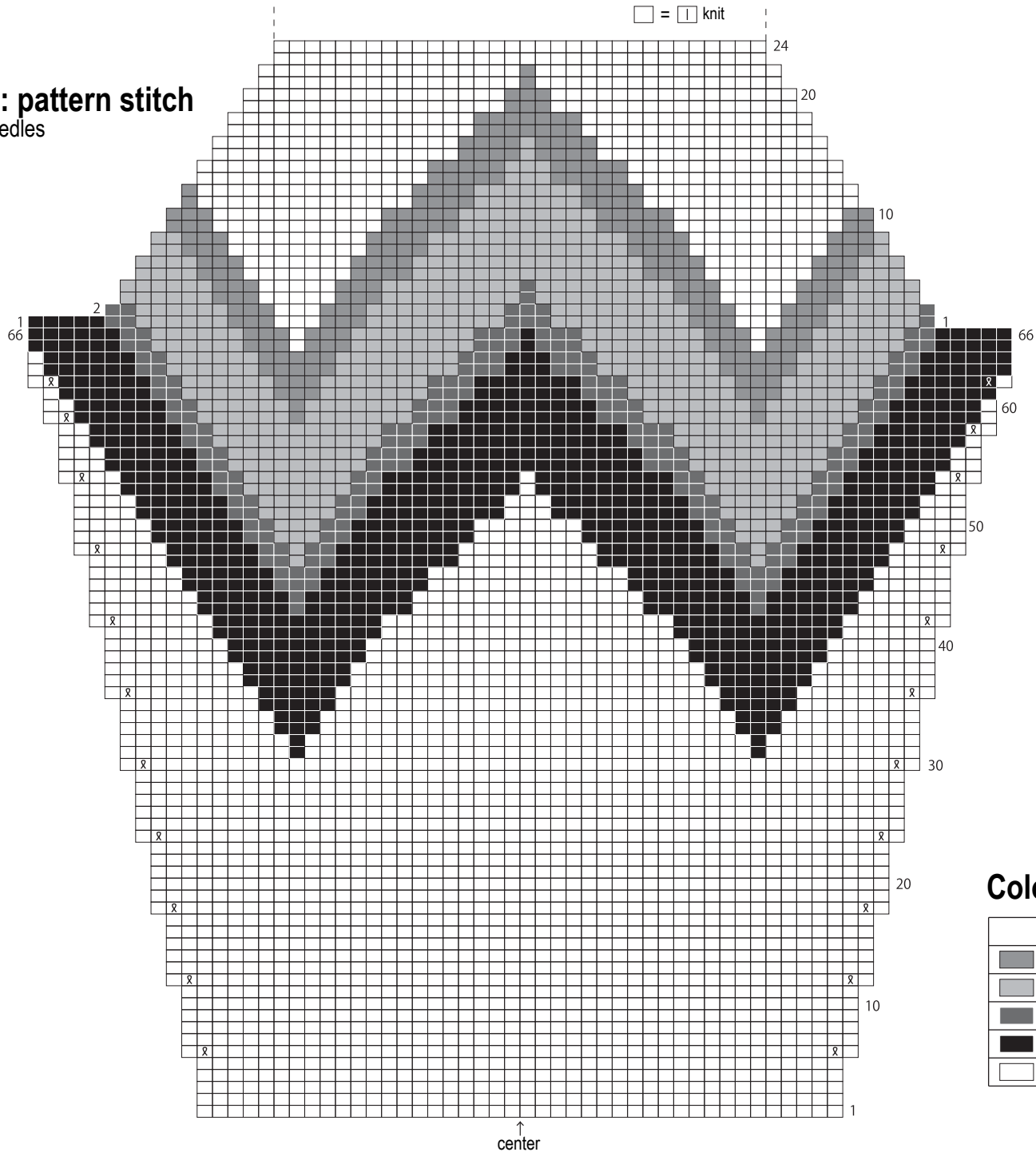
Body: pattern stitch 3.9mm needles

□ = □ knit



Sleeve: pattern stitch
3.9mm needles

Kids' size



Color sequence

Kids' pullover	
	#03 orange
	#28 silver gray
	#13 turquoise
	#04 gold-brown
	#15 navy