

# 215aw-23 Bear Cagoule



## Suggested yarn:

- Malabrigo Yarn Merino Worsted [100% merino wool; 210 yds/192m per 3.53 oz./100g hank]; color #616 plena, 3 hanks [295g]

## Tools/Notions:

- 8.0mm (US L) crochet hook or size necessary to achieve gauge

## Finished measurements:

- height 43cm/16.93"
- width 58cm/22.83"
- head circumference 56cm/22.05"

## Gauge (10cm/4" square):

- single crochet US: 10.5 sts and 11.5 rows

*Gauge may vary according to individual crochet style. Change hook size if necessary to achieve gauge. Alternatively, rework pattern with your own gauge measurements.*

## Summary

❖ **Note 1:** Like all Japanese patterns, stitch counts given here for foundation chains do **not** include any chain sts needed for turning posts.

❖ **Note 2:** Entire item worked with 2 strands of yarn held together.

**Body of hood:** Work foundation chain to begin, then work first round in sc, working stitches into bottom loops of chain. Continue in sc. Work through round 18 working back and forth in joined rounds. From the next round onward, work back and forth in rows. After binding off, turn inside-out and seam edges together with slip stitch.

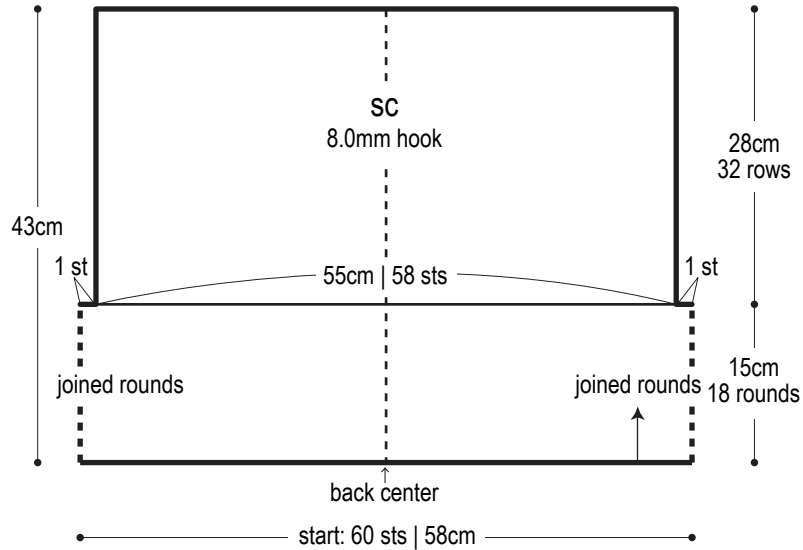
**Ear (make 2):** Work magic ring to begin, then work according to chart.

**Finishing:** Fold each ear in half, then seam to body of hood near face opening. Work sc edging in the round along face opening.

## Abbreviations:

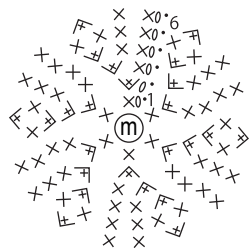
ch = chain      m = magic ring/circle      sc = single crochet (US)

## Body of hood



## Ear (make 2)

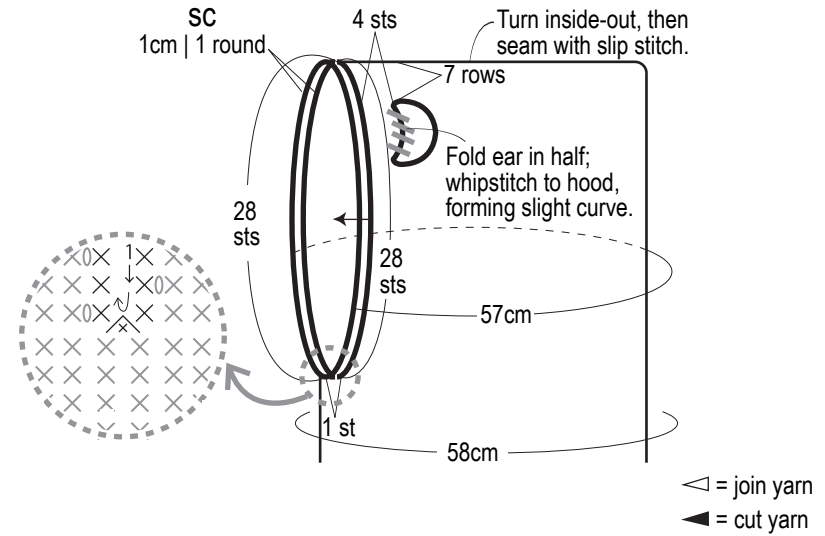
8.0mm hook



round no.	stitch count
6	18 sts (-6)
5	24 sts (make even)
4	24 sts (+6)
3	18 sts (+6)
2	12 sts (+6)
1	6 sts (work into magic ring)

## Finishing

8.0mm hook



## Body of hood 8.0mm hook

