

665ksk Summer Striped Skirt



Suggested yarn:

- Pierrot Yarns Cotton Neat S [100% cotton; 104 yds/95m per 1.41 oz./40g skein];
 - color #04 silver gray, 1 skein [35g]
 - color #14 teal green, 1 skein [35g]
 - color #27 berry pink, 2 skeins [70g]
 - color #32 flamingo pink, 2 skeins [45g]

Tools/Notions:

- 3.3mm (approx. US 4) and 3.6mm (approx. US 5) double-pointed knitting needles or sizes necessary to achieve gauge
- 2.5mm (approx. US B or C) and 3.0mm (approx. US C or D) crochet hooks or sizes necessary to achieve gauge
- 60cm/23.62" of 2.5cm/0.98" wide elastic for waistband

Finished measurements:

- waist (with elastic inserted) 54cm/21.26"
- hips 70cm/27.56"
- skirt length 26.5cm/10.43"

Gauge (10cm/4" square):

- pattern stitch w/3.0mm (approx. US C or D) crochet hook: 26 sts and 25 rows

Gauge may vary according to individual crochet style. Change hook size if necessary to achieve gauge. Alternatively, rework pattern with your own gauge measurements.

Summary

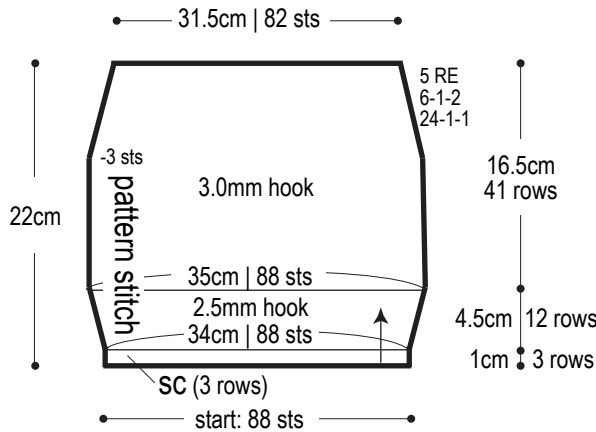
Body (make 2): Work foundation chain to begin, then work 1 row of sc into bottom loops of chain. Work 2 more rows of sc. Continue in pattern stitch for 12 rows, changing colors when indicated. Change hook size, then continue working in pattern stitch, working decreases at both sides to shape skirt. After making second body piece, seam at sides with chain seam (alternating chain stitch and slip stitch as needed to maintain pattern).

Finishing: Knit edging at hem in the round. With knitting needles, pick up stitches around bind-off edge at waist. Work waistband casing in stockinette stitch. Fold casing to inside and use whipstitch to seam cast-off edge to round where you picked up stitches. Insert elastic into waistband.

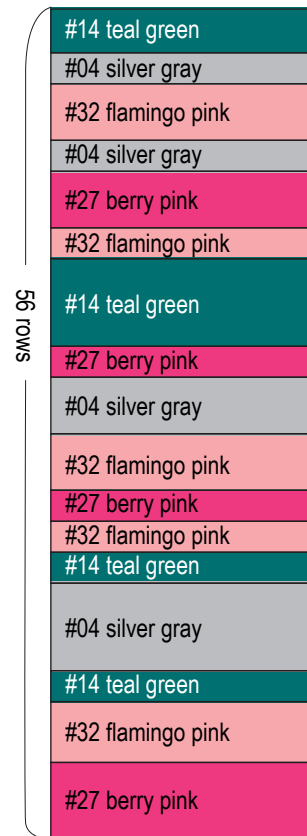
Abbreviations:

BO = bind off
k = knit stitch
PU = pick up
RE = row(s) even
sc = single crochet stitch (US)
#-#-# = rows-stitches-times

Body (make 2)

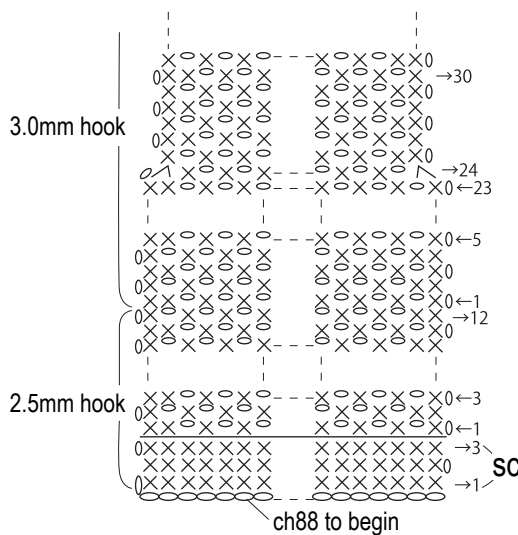


Color sequence



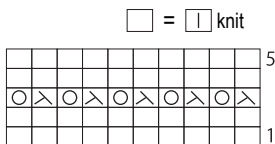
Pattern stitch

3.0mm hook



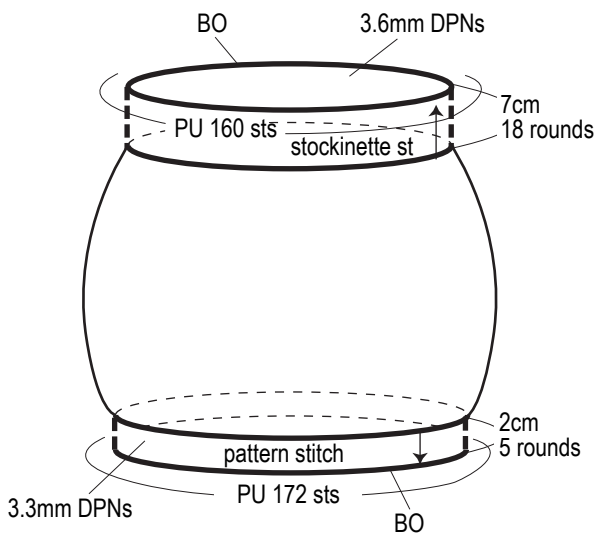
Hem: pattern stitch

3.3mm DPNs



Waistband & hem edging

#27 berry pink

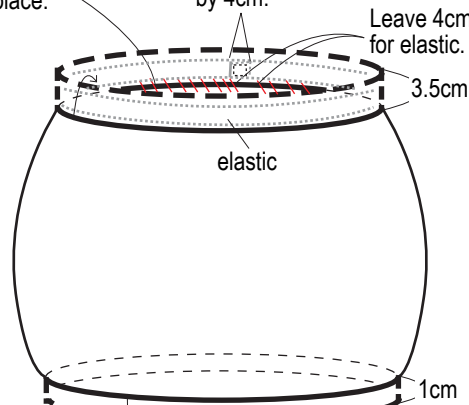


Finishing

Fold waistband to inside. Use whipstitch and #27 berry pink to seam in place.

Tack down, overlapping by 4cm.

Leave 4cm opening for elastic.



Fold hem to inside. Using whipstitch, seam bind-off stitches to the picked-up stitches at the beginning of the edging.