

548pochette Odekake Pochette



Suggested yarn:

- Pierrot Yarns Honwaka [100% cotton; 120 yds/110m per 1.23 oz./35g skein];
 - color #81 ivory, 1 skein [25g]
 - color #92 leaf green, 1 skein [10g]

Tools/Notions:

- 2.5mm (approx. US B or C) and 4.0mm (US G) crochet hook or size necessary to achieve gauge
- 2 buttons (15mm/0.59")
- 1 flower-shaped button (20mm/0.79")

Finished measurements:

- Please refer to schematics.

Gauge (10cm/4" square):

- pattern stitch: 25 sts and 21 rows
- double crochet (US): 23 sts and 11 rows
- single crochet (US): 23 sts and 20 rows

Gauge may vary according to individual crochet style. Change hook size if necessary to achieve gauge. Alternatively, rework pattern with your own gauge measurements.

Summary

***Note:** Like all Japanese patterns, stitch counts given here for foundation chains do not include any chain sts needed for turning posts.

Front of bag: For parts A and B, work foundation chain to begin and crochet according to schematic. Refer to schematic for color sequence. Seam parts A and B together with whipstitch.

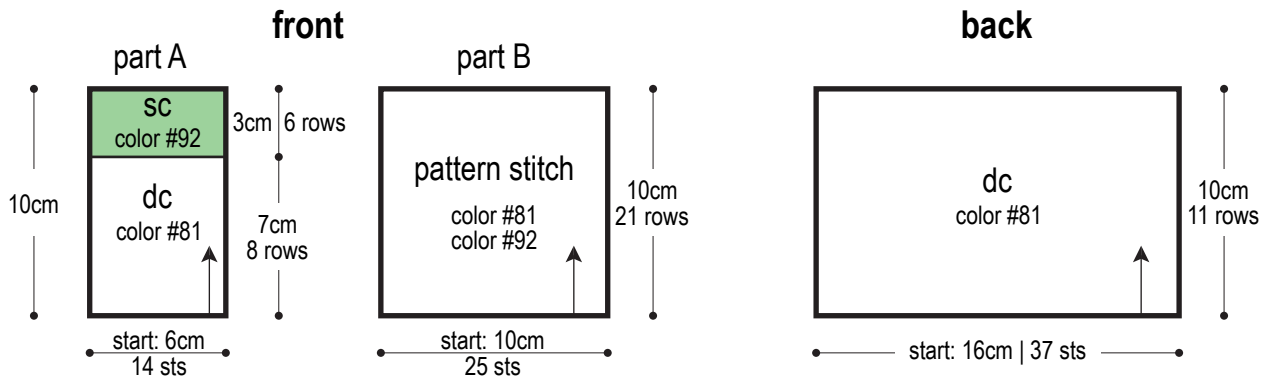
Back of bag: Work foundation chain to begin, then work in dc.

Finishing: With wrong sides facing each other, seam front and back together with whipstitch. Crochet loop ① and ②, then seam to bag where indicated. Crochet strap (referring to schematic for color sequence), then thread it through loop ① and fasten each end to one side of bag by sewing 15mm button in place. Fasten 20mm button to front of bag.

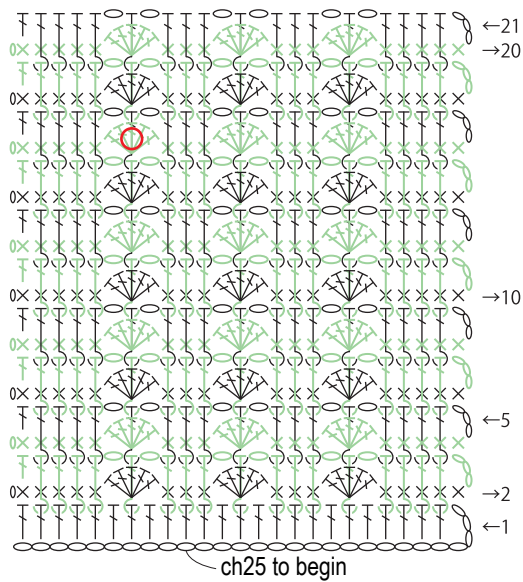
Abbreviations:

ch = chain stitch
dc = double crochet (US)
sc = single crochet (US)

Bag pieces 2.5mm hook



Pattern stitch 2.5mm hook

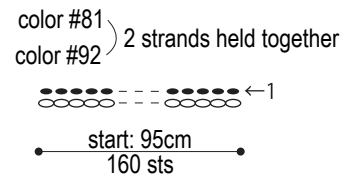


○ = place button here

— = color #81 ivory

— = color #92 leaf green

Strap 4.0mm hook



Finishing

