

215s-07 Hula Set



Suggested yarn:

- Pierrot Yarns Pont du Gard [100% linen; 188 yds/172m per 1.41 oz./40g skein];
 - top: color #12 rouge, 1 skein [15g]
 - skirt: color #06 mouse, 2 skeins [65g]
- Pierrot Yarns Orgabits One [100% cotton; 142 yds/130m per 1.41 oz./40g skein];
 - top: color #10 pink flambé, 1 skein [20g]
 - skirt: color #11 emerald, 3 skeins [110g]

Tools/Notions:

- 3.0mm (approx. US C or D) crochet hook or size necessary to achieve gauge

Finished measurements:

- Please refer to finishing schematics.

Gauge (10cm/4" square):

- single crochet (US): 21 sts and 24 rows

Gauge may vary according to individual crochet style. Change hook size if necessary to achieve gauge. Alternatively, rework pattern with your own gauge measurements.

Summary

❖**Note:** Like all Japanese patterns, stitch counts given here for foundation chains do **not** include any chain sts needed for turning posts.

Top: With 2 strands held together (1 strand of Orgabits One color #10 and 1 strand of Pont du Gard color #12), work foundation chain to begin. Work in sc, decreasing at both edges to form triangle shape. Make second triangle piece identical to the first. Working along foundation chain edge, work sc rectangle that spans both triangles. Work 1 round of sc around top. Crochet lobster cords and fasten to top where indicated.

Hula skirt: With 2 strands held together (1 strand of Orgabits One color #11 and 1 strand of Pont du Gard color #06), work foundation chain to begin. Work rectangle shape in sc. Make and attach fringe in 67 places along edge of rectangle as indicated. Crochet 2 lobster cords and fasten one to each end of rectangle.

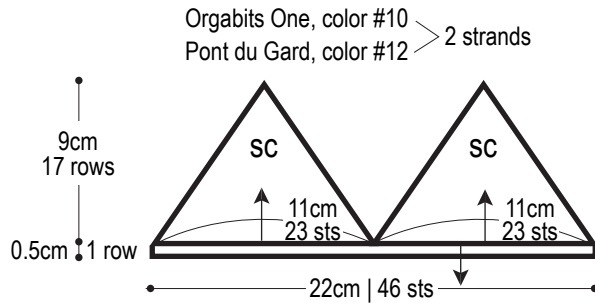
Abbreviations:

ch = chain

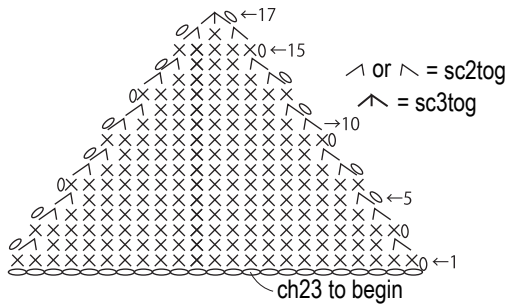
m = magic ring/circle

sc = single crochet (US)

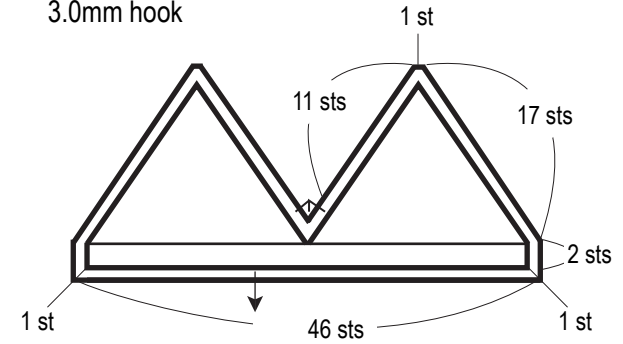
Top schematic



Top chart (make 2) for triangles

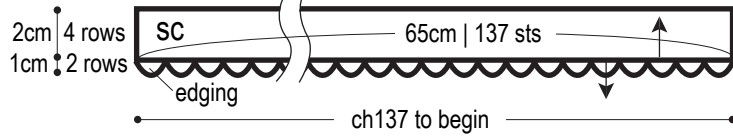


Top: sc edging 3.0mm hook

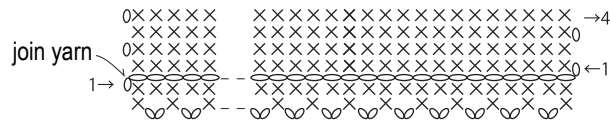


Hula skirt

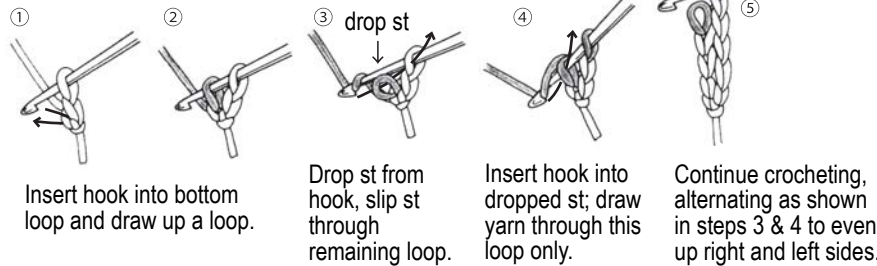
3.0mm hook



Skirt chart 3.0mm hook

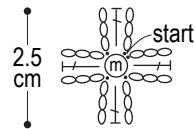


Lobster cord instructions



Flower motif

3.0mm hook



Finishing

