

Elegant Capeline Hat



Suggested yarn:

- Pierrot Yarns Heat+ [100% polyester; 113 yds./103m per 1.41 oz./40g cone]; color #09 white, 5 cones [170g]

Tools/Notions:

- 2.3mm (approx. US B) crochet hook or size necessary to achieve gauge

Finished measurements:

- head circumference 58cm/22.83"
- depth 15cm/5.91"

Gauge (10cm/4" square):

- pattern stitch (before blocking): 32 sts and 14 rounds
- pattern stitch (after steam blocking with iron): 33 sts and 16 rounds

Gauge may vary according to individual crochet style. Change hook size if necessary to achieve gauge. Alternatively, rework pattern with your own gauge measurements.

Summary

Hat: Work magic ring to begin, then work in pattern stitch, increasing as indicated. After top section is finished, work sides in pattern stitch without increasing or decreasing. Then continue to brim, increasing in pattern stitch. Work 3 rounds of sc edging around brim (without increasing or decreasing).

Crochet top first, and block it with steam iron. Then crochet sides and brim. To finish, steam with iron again, making sure to block brim quite thoroughly.

Abbreviations:

- ch = chain
- m = magic ring/circle
- rep = pattern repeat(s)
- sc = single crochet (US)

Hat

2.3mm hook

117 sts x 4

sc edging

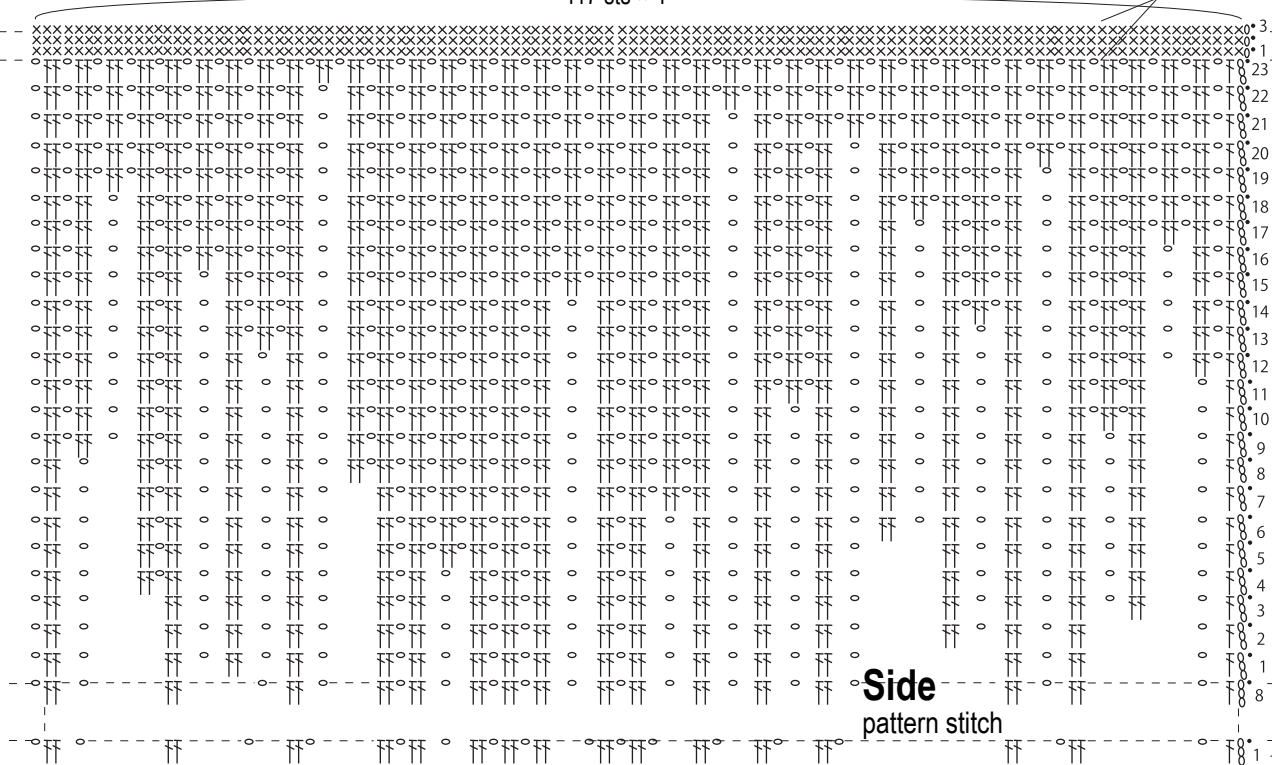
Brim increases

round	no. of rep
23	156
22	152
21	148
20	144
19	140
18	136
17	132
16	128
15	124
14	120
13	116
12	112
11	108
10	104
9	100
8	96
7	92
6	88
5	84
4	80
3	76
2	72
1	68

+4 rep per round

68 rep from side (204 sts)

work side even



Side pattern stitch

64 rep | 192 sts

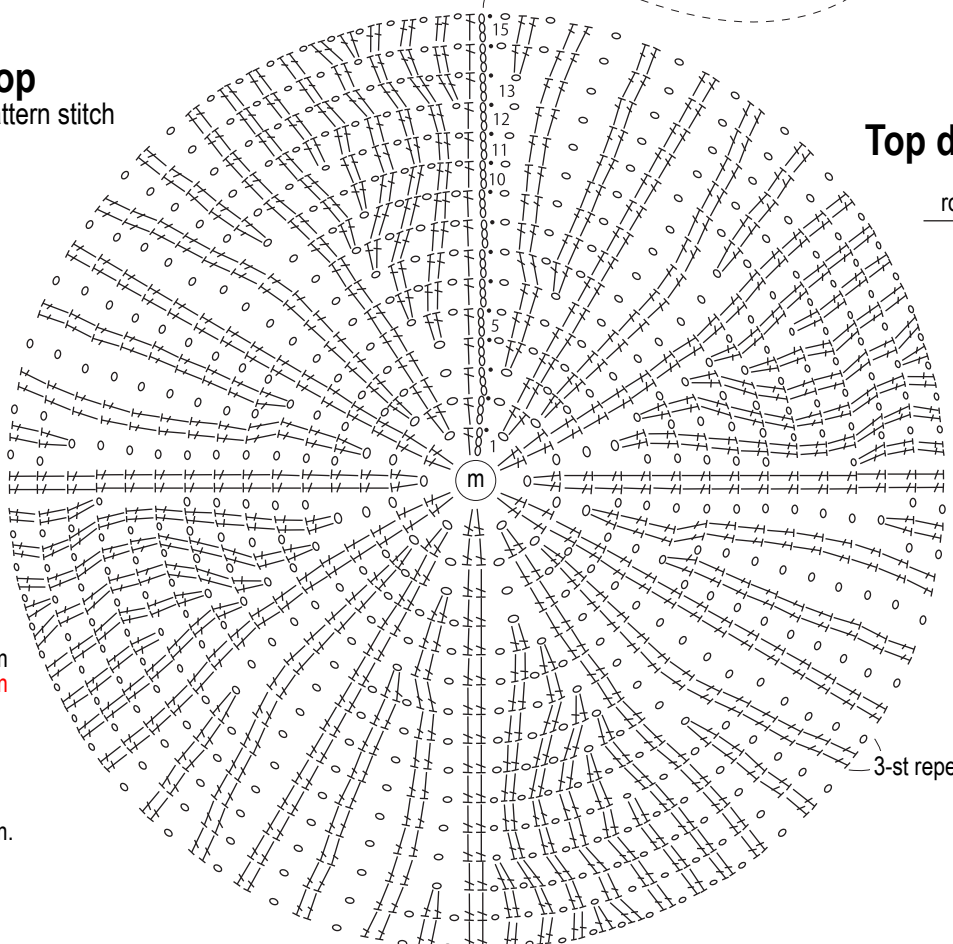
Top pattern stitch

Top decreases

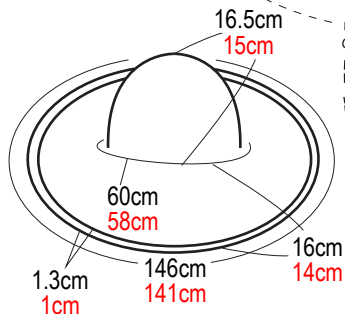
round	no. of rep
15	64
14	60
13	56
12	52
11	48
10	44
9	40
8	36
7	32
6	28
5	24
4	20
3	16
2	12 (+6 rep)
1	6

+4 rep per round

Work 18 sts (6 rep) into magic ring.



3-st repeat



*Note: red numbers refer to measurements after blocking with steam.