

# 215ss-05 Preppy Vest



## Suggested yarn:

- Pierrot Yarns Marshmallow Cotton [100% cotton; 153 yds./140m per 1.06 oz./30g skein];
  - large: color #01 kinari, 3 skeins [80g]
  - small: color #01 kinari, 3 skeins [65g]

## Tools/Notions:

- 3.0mm (US 3) and 3.6mm (approx. US 5) straight knitting needles or sizes necessary to achieve gauge
- 3.0mm (US 3) double-pointed knitting needles or size necessary to achieve gauge

## Finished measurements:

- |                                |                                |
|--------------------------------|--------------------------------|
| • large:                       | • small:                       |
| • chest 70cm/27.56"            | • chest 64cm/25.20"            |
| • cross back width 30cm/11.81" | • cross back width 28cm/11.02" |
| • back length 39cm/15.35"      | • back length 36cm/14.17"      |

## Gauge (10cm/4" square):

- |  |  |  |
|--|--|--|
| • pattern stitch A: 25 sts and 34 rows | • pattern stitch B: 25.5 sts and 34 rows | • pattern stitch C: 32 sts and 34 rows |
|--|--|--|

*Gauge may vary according to individual knitting style. Change needle size if necessary to achieve gauge. Alternatively, rework pattern with your own gauge measurements.*

## Summary

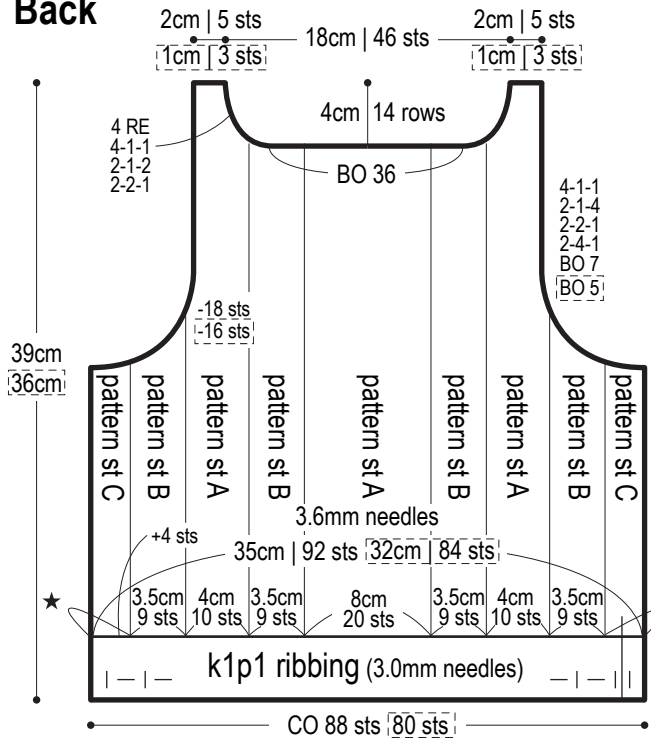
**Body:** Cast on with long-tail cast-on method. Work in k1p1 ribbing, then continue in pattern stitches A, B, and C.

**Finishing:** Seam shoulders with slip stitch seam. Seam sides with mattress stitch. Pick up stitches around neckline and armholes, respectively. Work pattern stitch D in the round. Bind off in pattern or with 1x1 tubular bind-off method.

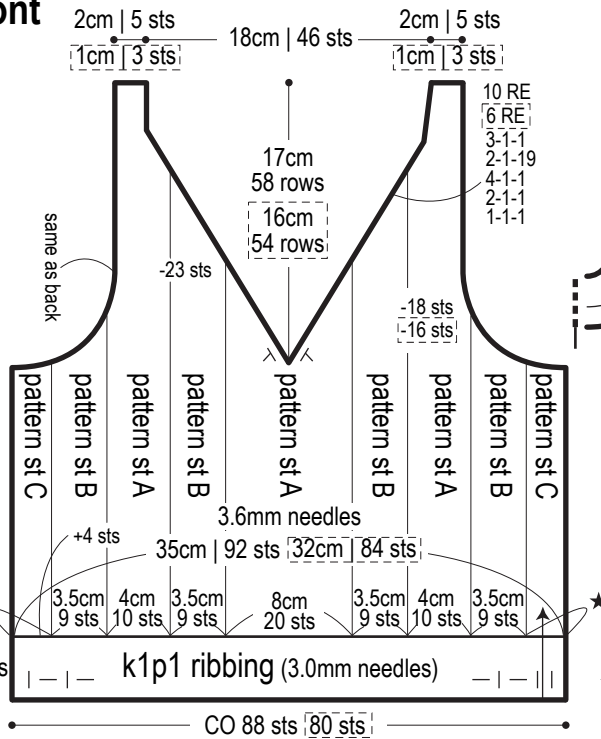
## Abbreviations:

BO = bind off    CO = cast on    k = knit    p = purl    PU = pick up    RE = row(s) even    #-#-# = rows-stitches-times

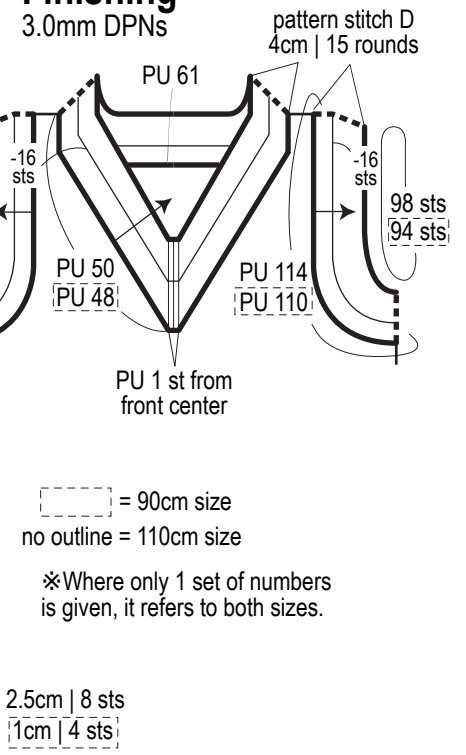
# Back



# Front

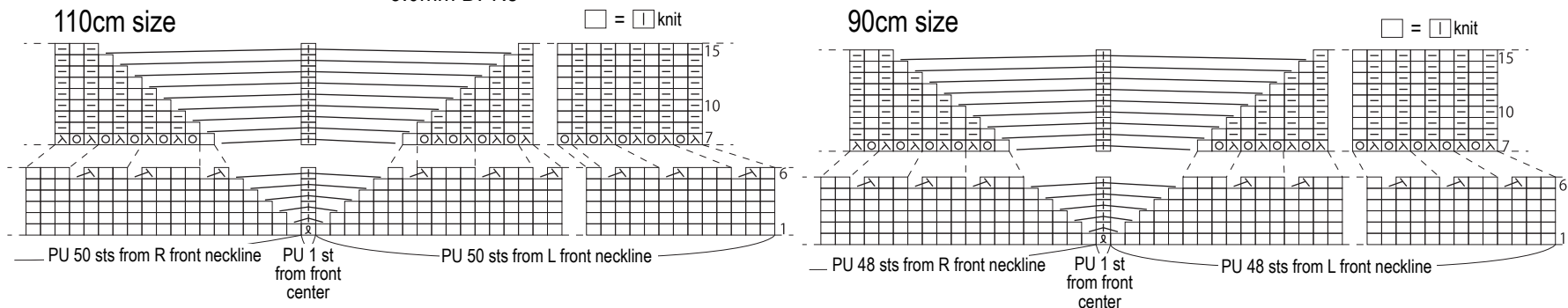


# Finishing



## Decreases for V-neck tip & pattern stitch D (neckline)

3.0mm DPNs



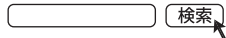
※For both sizes, decrease 10 sts on R and L sides on round 6.

⊞ = ⊞ = center double decrease

Use QR code on smartphone to view video about how to 1x1 tubular bind-off method.

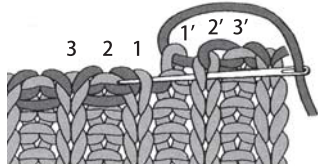


※To view on computer, search on the Pierrot Yarns website or YouTube channel instead.

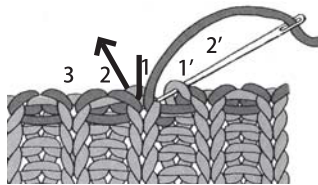


## 1x1 tubular bind-off method

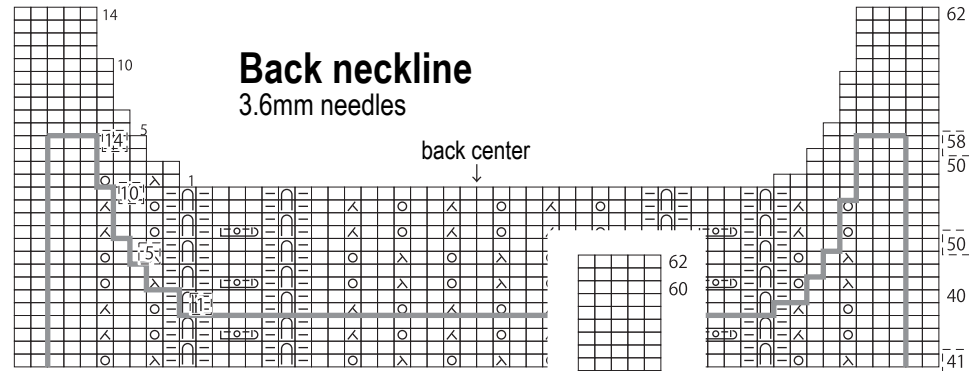
Example as if working in the round.



1. Insert needle from front to back at 2', then back to front through 1 (first k stitch).



2. Insert needle into 1' from back to front, then into 2 from front to back.



## Front

3.6mm needles

