

Enchantée Bolero



Suggested yarn:

- Keito-Zakka Stores Enchantée [80% cotton, 20% merino wool; 131 yds./120m per 1.41 oz./40g skein];
 - color #01 off-white, 2 skeins [60g]
 - color #04 mint green, 1 skein [30g]

Tools/Notions:

- 3.0mm (approx. US C or D) crochet hook or size necessary to achieve gauge

Finished measurements:

- chest 58.5cm/23.03"
- cross back width 22.5cm/8.86"
- back length 22cm/8.66"
- sleeve length 18cm/7.09"

Gauge (10cm/4" square):

- pattern stitch: 23.5 sts and 13 rows

Gauge may vary according to individual crochet style. Change hook size if necessary to achieve gauge. Alternatively, rework pattern with your own gauge measurements.

Summary

Body & sleeves: Work foundation chain to begin, then work in pattern stitch. Reverse shaping of right front for left front.

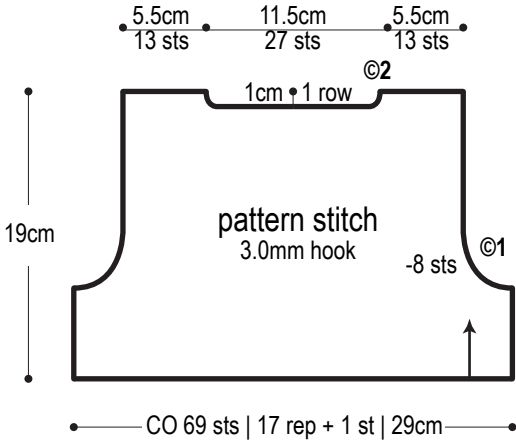
Finishing: Seam shoulders with slip stitch seam. Seam sides and sleeve undersides with slip stitch. Seam sleeves to body with slip stitch. Working edging A along front edges and bottom hem. Work edging B along neckline. Work edging B in the round at cuffs. Crochet 2 cords and make 2 pompoms, then fasten one pompom to end of each cord. Seam other end of cord to bolero where indicated.

Abbreviations:

ch = chain
hdc = half double crochet (US)
m = magic ring / magic circle
rep = pattern repeat(s)

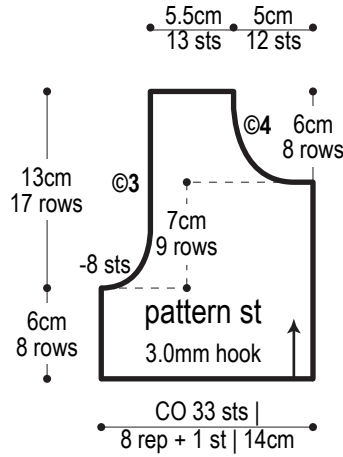
Back

color #01 off-white



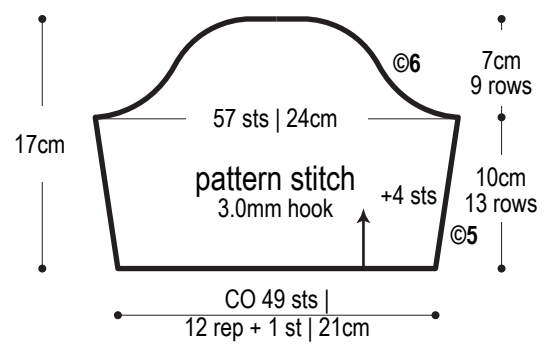
Right front

color #01 off-white



Sleeve

color #01 off-white

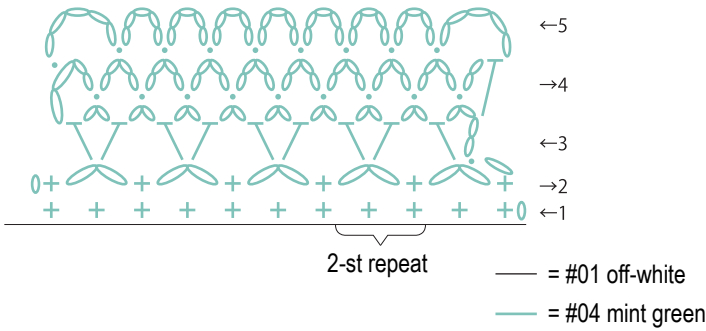


*Note: © = chart. For example, ©3 = chart 3.

*Reverse shaping for left front.

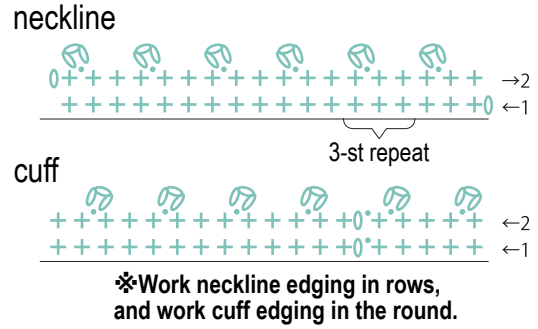
Edging A

3.0mm hook, color #04 mint green



Edging B

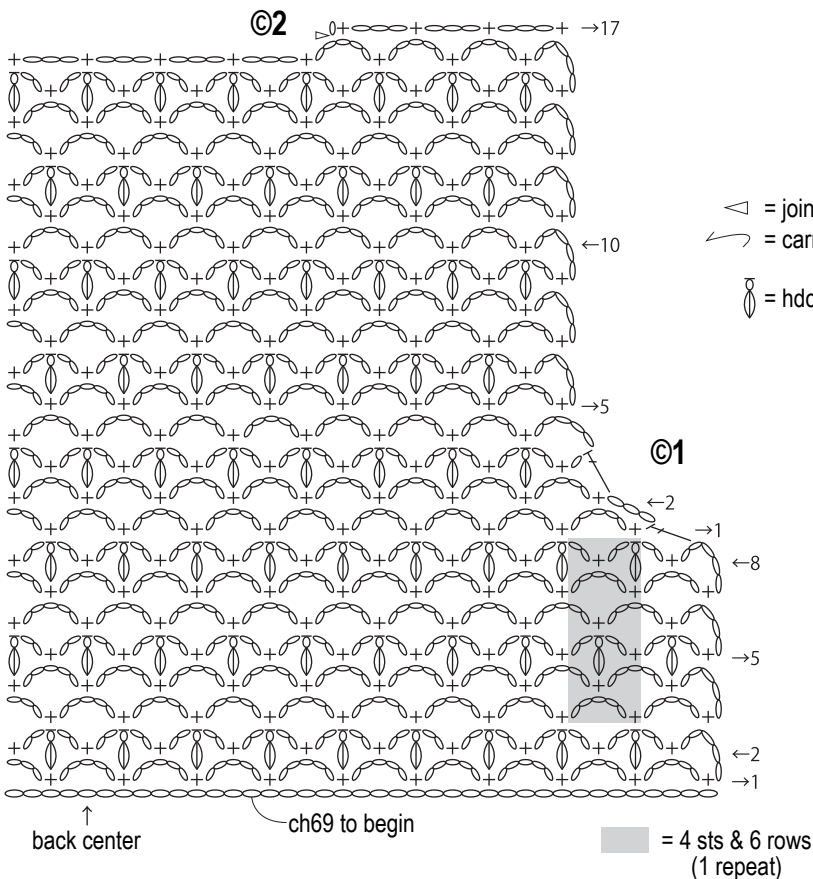
3.0mm hook, color #04 mint green



*Work neckline edging in rows, and work cuff edging in the round.

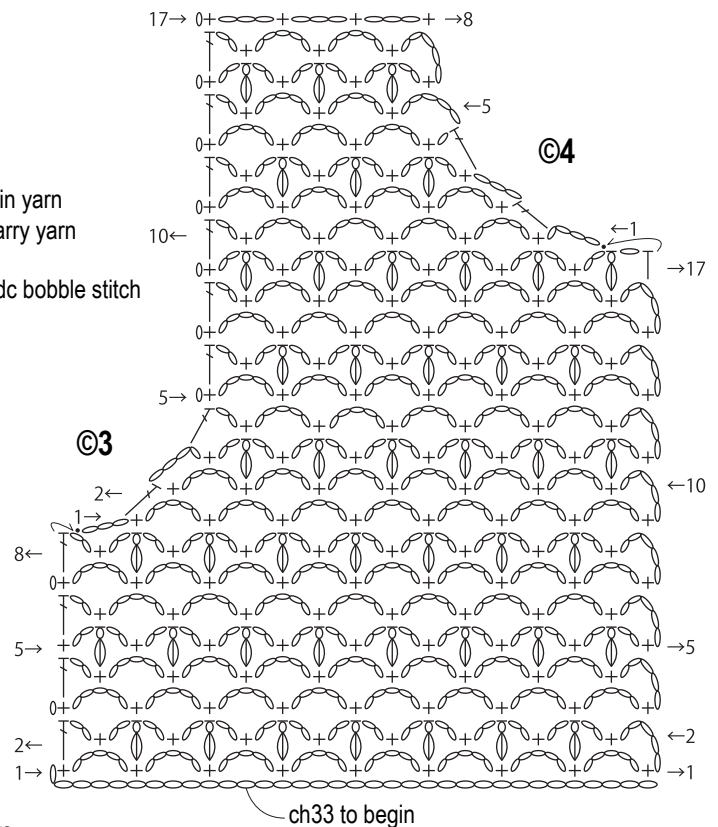
Back

3.0mm hook, color #01 off-white



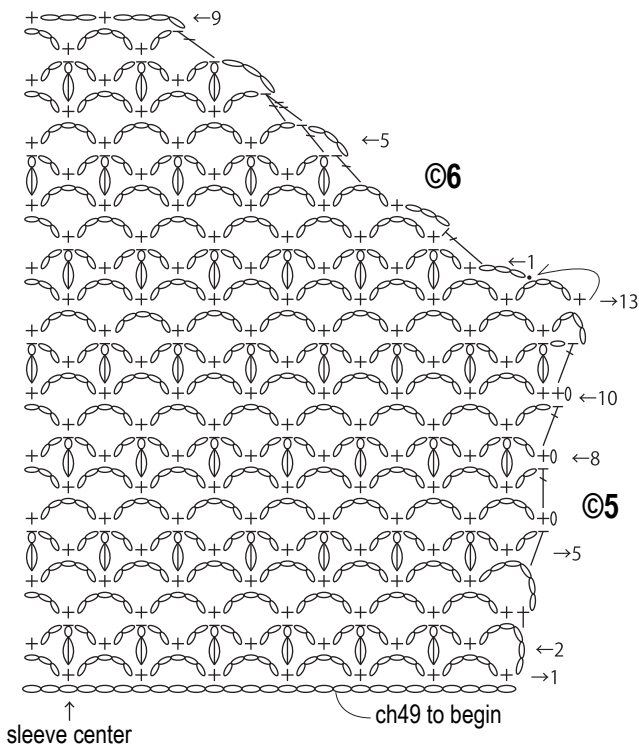
Right front

3.0mm hook, color #01 off-white



Sleeve

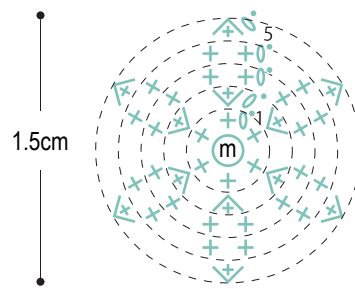
3.0mm hook, color #01 off-white



— = #01 off-white
— = #04 mint green

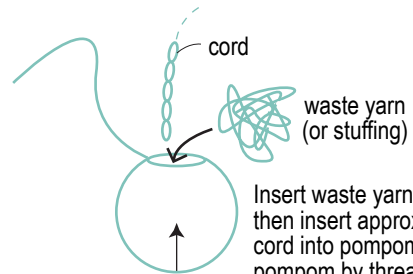
Pompon (make 2)

3.0mm hook, color #04 mint green



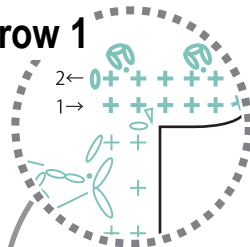
round no.	stitch count
5	6 (-6 sts)
4	12
3	12
2	12 (+6 sts)
1	6 (work into magic ring)

} work even

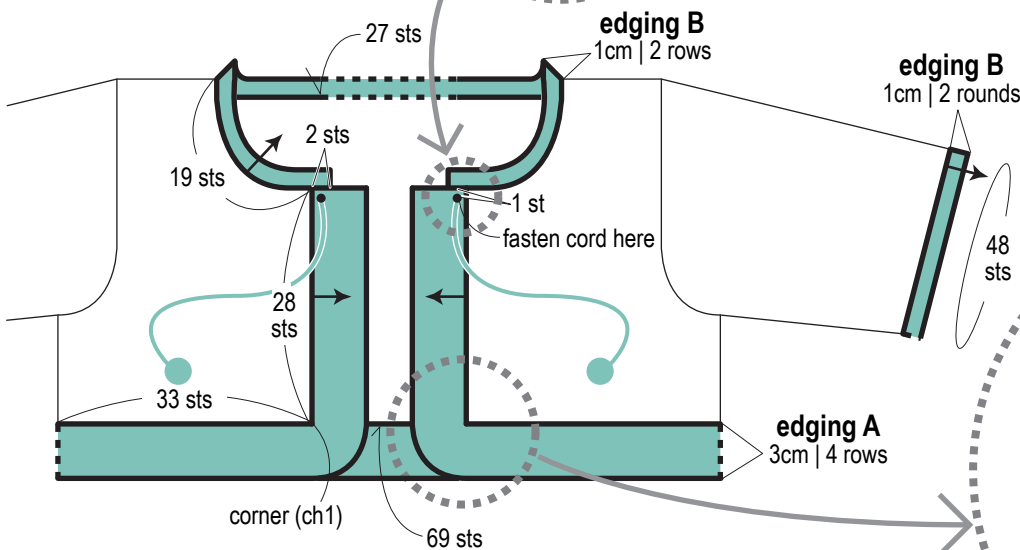


Insert waste yarn (or stuffing), then insert approx. 0.5cm of cord into pompon. Finish pompon by threading yarn through all sts on last round & cinching shut. In this way, cord will be fixed to pompon.

Edging A row 1



Finishing



Cord (make 2)

3.0mm hook, color #04 mint green



Edging A corners

3.0mm hook

