

# 214w-09 Roll Edge Sweater



## Suggested yarn:

- Pierrot Yarns Orange [100% merino; 175 yds/160m per 1.76oz/50g skein]; color #05 green/blue/brown, 4 skeins [180g]

## Tools/Notions:

- 3.6mm (approx. US 5) knitting needles or size necessary to achieve gauge
- 3.0mm (approx. US C or D) crochet hook or size necessary to achieve gauge

## Finished measurements:

- chest 73cm/28.74"
- center back neck-to-cuff 46.5cm/18.31"
- back length 36cm/14.17"

## Gauge (10cm/4" square):

- stockinette stitch: 23 sts and 35 rows

*Gauge may vary according to individual knitting style. Change needle size if necessary to achieve gauge. Alternatively, rework pattern with your own gauge measurements.*

## Summary

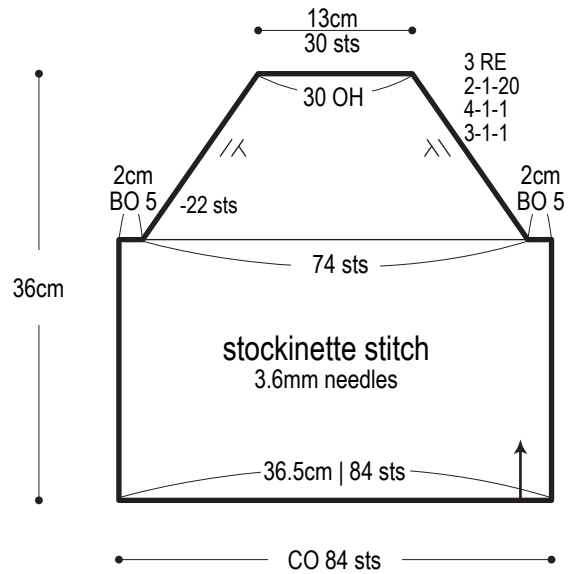
**Body & sleeves:** Cast on with long-tail cast-on method. Work in stockinette stitch. Shape raglan edges by working fully fashioned decreases (2 sts in from the edge).

**Finishing:** Seam raglan edges with mattress stitch. Seam underarm gusset with Kitchener stitch. Seam from underarm gusset to cuff with mattress stitch. Work 1 round of crochet slip stitch edging around neckline.

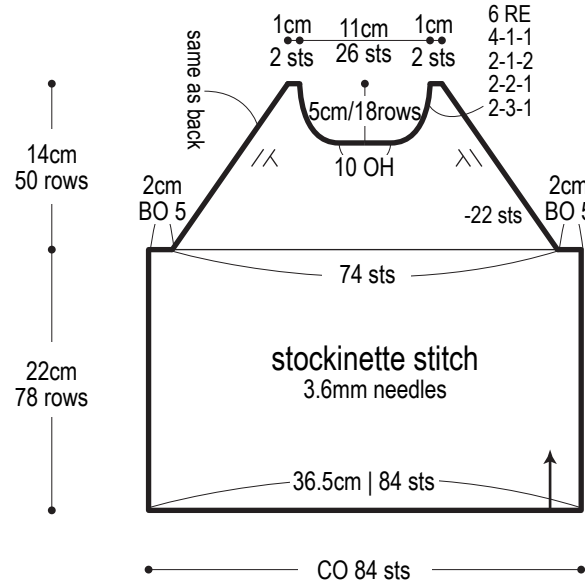
## Abbreviations:

BO = bind off      CO = cast on      OH = on hold (place on stitch holder)      PU = pick up      RE = row(s) even      #-#-# = rows-stitches-times

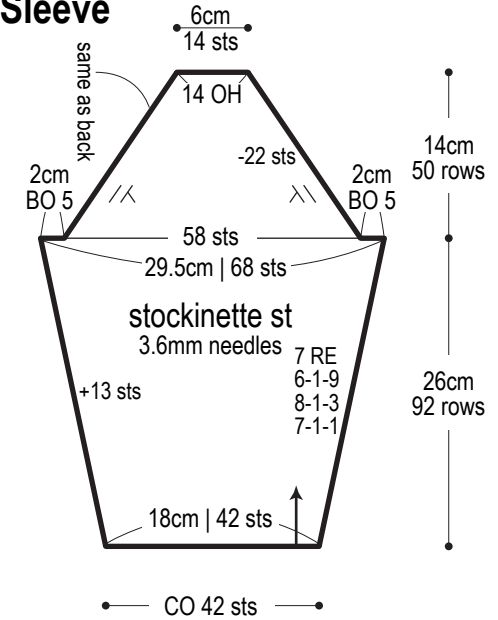
## Back



## Front

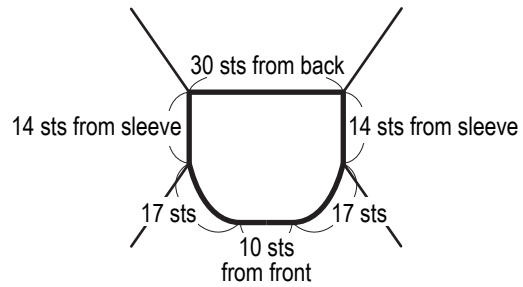


## Sleeve



## Collar

crochet slip stitch seam  
3.0mm hook



## Finishing

