

# 214w-13 Vertical Stripes



## Suggested yarn:

- Baruffa Pura Lana 4-ply [100% merino wool; 186yds/170m per 1.76oz/50g skein];
  - ladies' size: color #323 royal blue, 6 skeins [265g]
  - kids' size: color #317 chartreuse, 4 skeins [165g]

## Tools/Notions:

- 3.6mm (approx. US 5) knitting needles or size necessary to achieve gauge
- 2.5mm (approx. US B or C) crochet hook or size necessary to achieve gauge
- cable needle

## Finished measurements:

- ladies' size:
  - bust 91cm/35.83"
  - cross back width 32.5cm/12.80"
  - back length 60cm/23.62"
- kids' size:
  - chest 69cm/27.16"
  - cross back width 25cm/9.84"
  - back length 45cm/17.72"

## Gauge (10cm/4" square):

- pattern stitch: 29 sts and 39 rows
- seed stitch: 23 sts and 39 rows

*Gauge may vary according to individual knitting style. Change needle size if necessary to achieve gauge. Alternatively, rework pattern with your own gauge measurements.*

## Summary

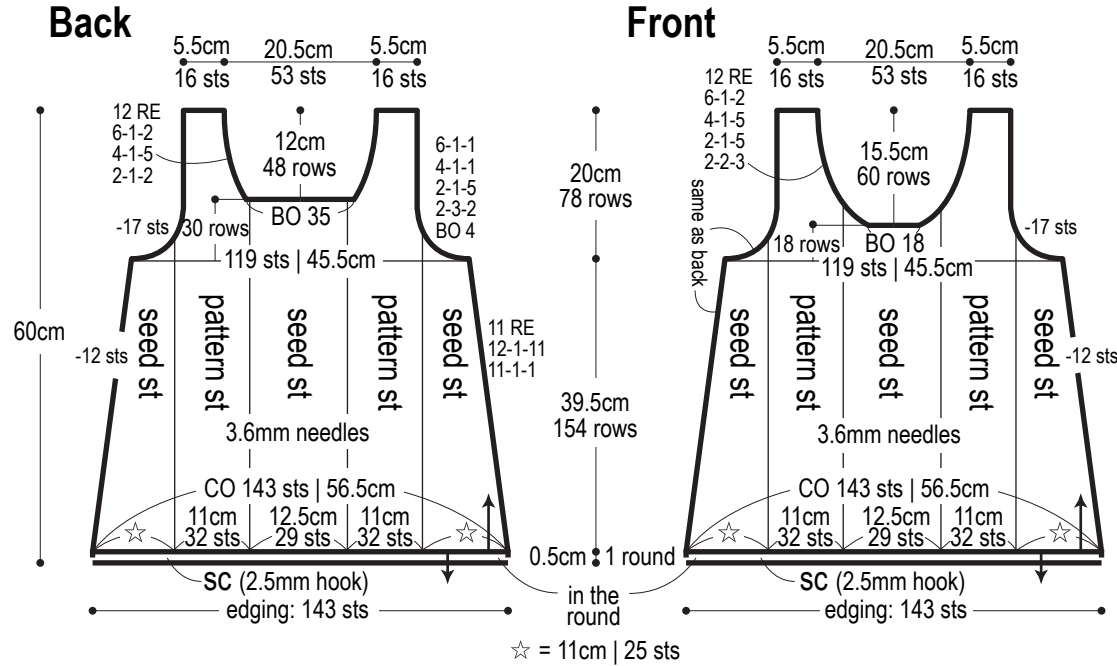
**Body:** Cast on with long-tail cast-on method. Work in seed stitch and pattern stitch.

**Finishing:** Seam shoulders with crochet slip stitch seam. Seam sides with mattress stitch. Pick up stitches around armholes, neckline, and hem, respectively, and work 1 round sc edging at each of these places.

## Abbreviations:

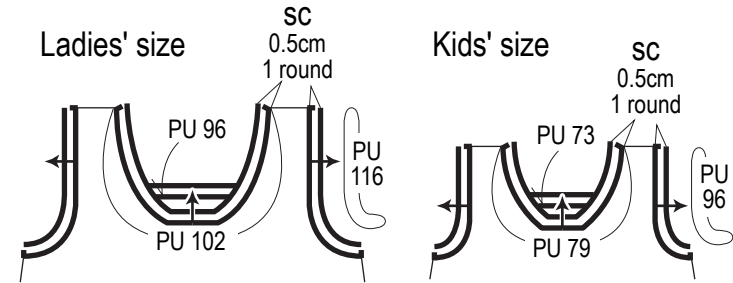
BO = bind off    CO = cast on    PU = pick up    RE = row(s) even    sc = single crochet (US)    #-#-# = rows-stitches-times

# Ladies' size



## Finishing

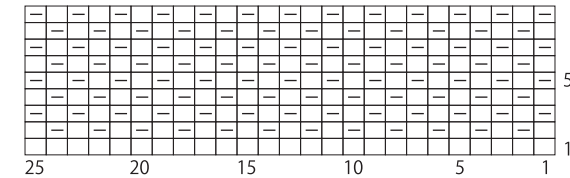
2.5mm hook



## Seed stitch

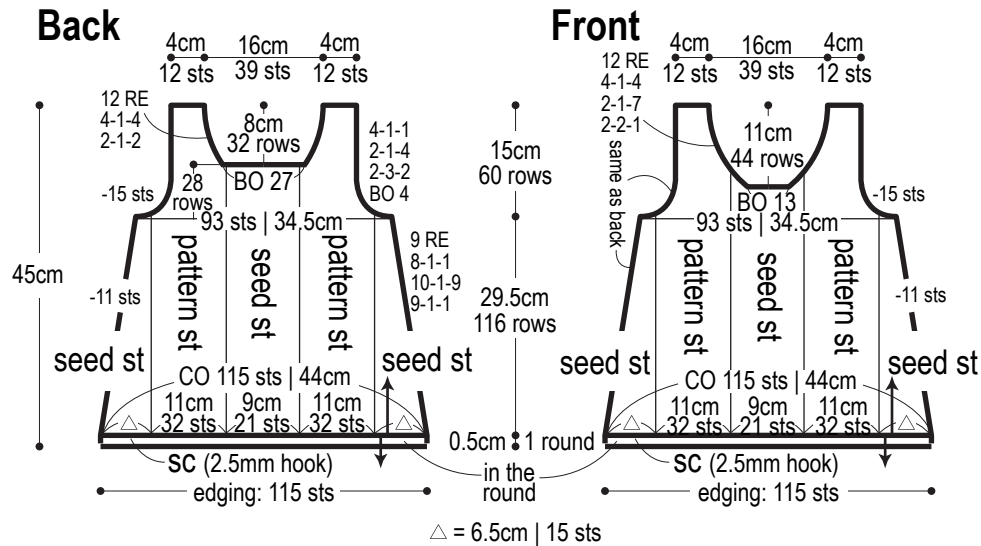
3.6mm needles

☐ = ☐ knit



# Kids' size

※ Use 3.6mm needle for all knitted sections.



## Pattern stitch

3.6mm needles

☐ = ☐ knit

